

159WLPL WR159 Waveguide Low Power Load 4.9-7.05GHz with Rectangular Waveguide Interface

WR159 Waveguide Low Power Load Operating From 4.9 to 7.05GHz with Rectangular Waveguide Interface



Product Information

SKU	159WLPL
-----	---------

Description

Waveguide low power load 159WLPL, operating from 4.9 to 7.05GHz and low VSWR 1.04:1 159WLPL covers the WR159 sub waveguide band and comes with one flange FDP58(UDR58). It can handle 7W continuously and 7KW peak power. The WLPL series are for general version, low VSWR terminations for system application. The typical applications include system or test bench set-ups and small moderate power dummy loads.

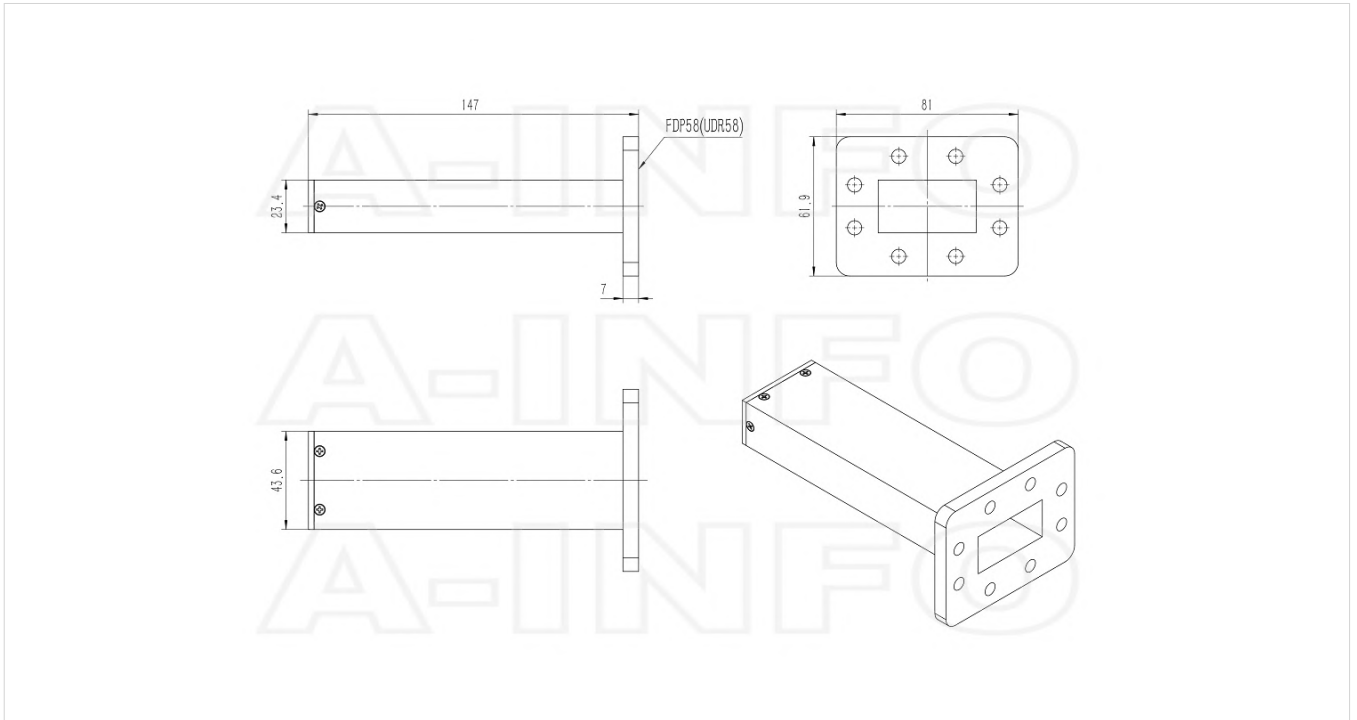
Technical Specification

Electrical Specification		Mechanical Specification	
WG Load Type	Low Power	Body Material	Al
Waveguide Band	C	Size, L (mm)	147
Waveguide Type	Rectangular	Size, W (mm)	81
Waveguide Size EIA WR	WR159	Size, H (mm)	61.9
Frequency, Min (GHz)	4.9	Weight, (kg)	0.25
Frequency, Max (GHz)	7.05	Pressure Sealed	No
VSWR, Typ	1.03:1	Environmental Specification	
VSWR, Max	1.04:1	Operating Temp. Low (°C)	-55
Power Handling, CW, (W)	7	Operating Temp. High (°C)	85
Power Handling, Peak, (KW)	7	Storage Temp. Low (°C)	-60
Interface		Storage Temp. High (°C)	90
Flange Style	Rectangular		
Flange Type	Cover		
Flange Designation	FDP58(UDR58)		

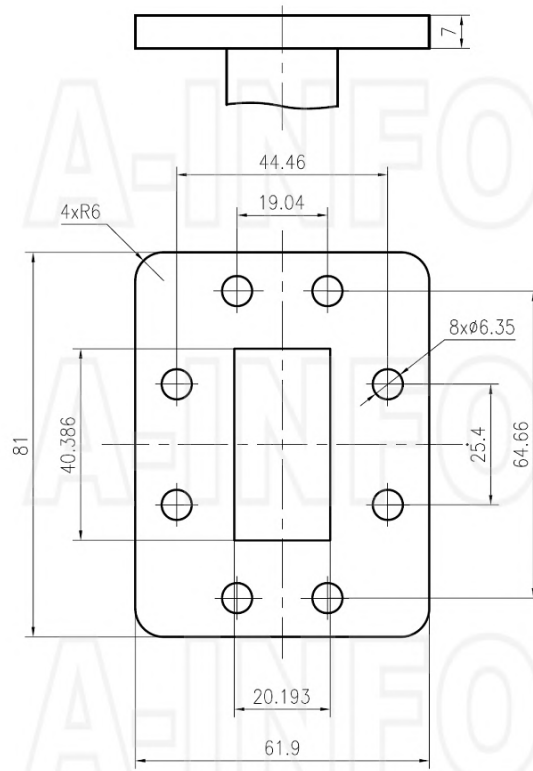
Additional Information

Application	General Purpose Indoor & Outdoor, Fixed
-------------	---

Outline Drawing



Flange Drawing



FDP58

About this Datasheet

<ul style="list-style-type: none"> ● Product Information <p>Product Link: https://www.ainfoinc.com/159wpl-wr159-waveguide-low-power-load-4-9-7-05-ghz-fdp58-udr58 Data subject to change without notice. © A-INFO INC. 2024. All Rights Reserved</p>	<ul style="list-style-type: none"> ● Contact Us <p>Address: 60 Tesla, Irvine, CA 92618, USA</p> <p>Website: www.ainfoinc.com</p> <p>Email: sales@ainfoinc.com</p>	<ul style="list-style-type: none"> ● Phone & Fax <p>Phone: +1-949-639-9688 +1-949-639-9608</p> <p>Fax: +1-949-639-9670</p>
--	---	--