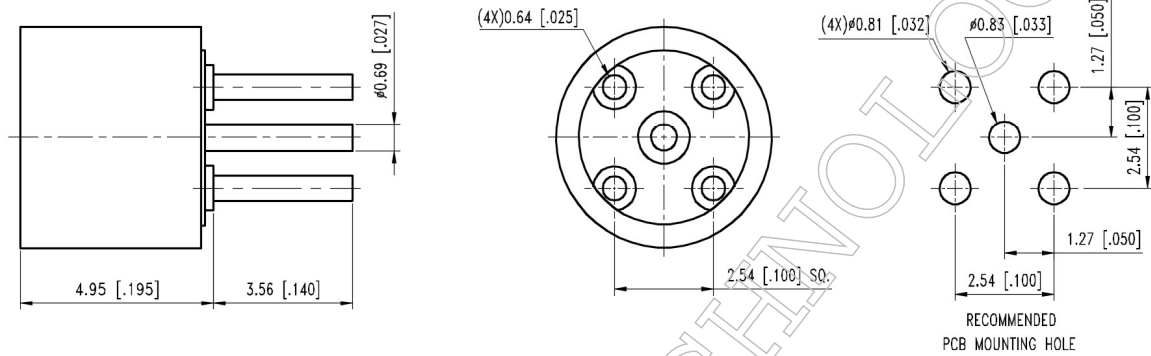


▪ **Outline Dimension Drawing**
Dimensions: mm[inch]



▪ **Material Specification**

Description	Material	Plating
Body	Stainless Steel	Passivate
Body	BeCu	Gold
Contact	BeCu	Gold
Dielectric	PTFE	

In the effort to improve our products, we reserve the right to make changes judged to be necessary



▪ **Electrical Specification**

Description		Description	
Impedance	50 Ω	Insulation Resistance	5000 MΩ Min.
Frequency	12 GHz	Inner Contact Resistance	6 mΩ Max.
VSWR	1.3 Max.	Outer Contact Resistance	2 mΩ Max.
Insertion Loss	0.41 dB Max.		
Voltage Rating	335 Vrms Max.		
Dielectric Withstanding Voltage	500 Vrms Max.		

▪ **Mechanical Specification**

Description			
Engagement Force			
Smooth Bore	2 lbs. Max.		
Disengagement Force			
Smooth Bore	0.5 lbs. Min.		
Connector Durability	1000 matings min.		
Center Contact			
Axial Force-Mating End	1.5 lbs.		
Axial Force-Opposite End	1.5 lbs.		
Weight	N/A g		

▪ **Environmental Specification**

Description			
Temperature Min.	-55 °C		
Temperature Max.	125 °C		
Hermetic Seal	N/A		

In the effort to improve our products, we reserve the right to make changes judged to be necessary