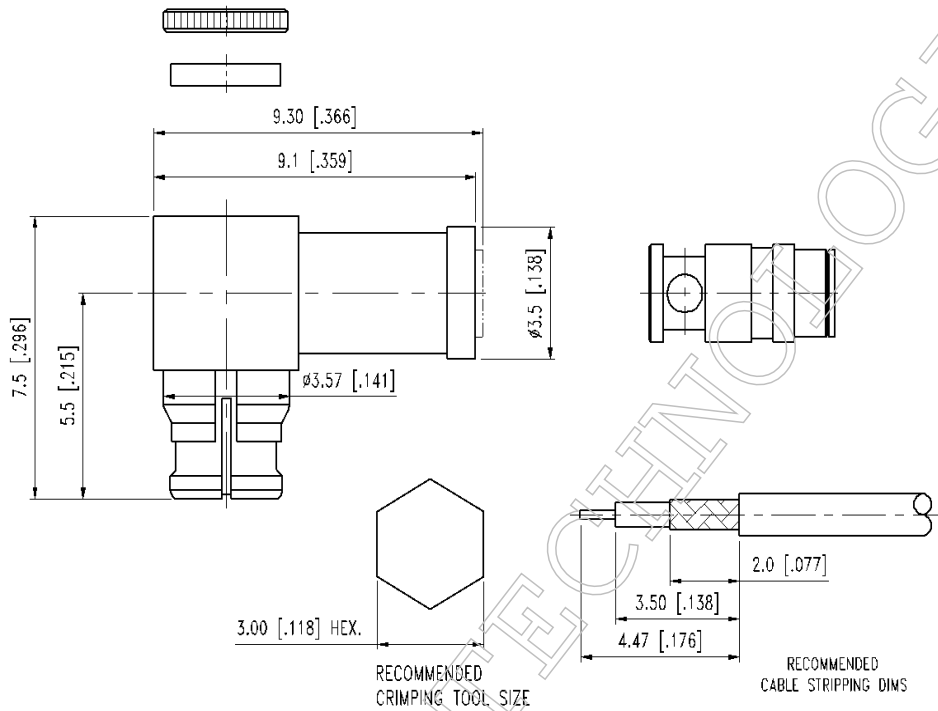


▪ **Outline Dimension Drawing**

Dimensions: mm[inch]



▪ **Material Specification**

Description	Material	Plating
Body	Brass	Gold
Body	BeCu	Gold
Contact	BeCu	Gold
Dielectric*2	PTFE	
Retaining Ring	BeCu	Gold
Ferrule	Brass	Gold
End Cap	Brass	Gold

In the effort to improve our products, we reserve the right to make changes judged to be necessary

▪ Electrical Specification

Description			Description		
Impedance	50	Ω	Insulation Resistance	5000	MΩ Min.
Frequency	6	GHz	Inner Contact Resistance	6	mΩ Max.
VSWR	1.4	Max.	Outer Contact Resistance	2	mΩ Max.
Insertion Loss	0.25	dB Max.			
Voltage Rating	250	Vrms Max.			
Dielectric Withstanding Voltage	500	Vrms Max.			

▪ Mechanical Specification

Description		
Engagement Force		
Full Detent	15	lbs. Max.
Limited Detent	10	lbs. Max.
Smooth Bore	2	lbs. Max.
Disengagement Force		
Full Detent	5	lbs. Min.
Limited Detent	2	lbs. Min.
Smooth Bore	0.5	lbs. Min.
Connector Durability		
Full Detent	100	matings min.
Limited Detent	500	matings min.
Smooth Bore	1000	matings min.
Center Contact		
Axial Force-Mating End	N/A	lbs.
Axial Force-Opposite End	N/A	lbs.
Weight	0.28	g

▪ Environmental Specification

Description	
Temperature Min.	-65 °C
Temperature Max.	165 °C
Hermetic Seal	N/A

In the effort to improve our products, we reserve the right to make changes judged to be necessary