

MC1

SPDT, SMA/K(2.92mm), DC-40GHz

FAILSAFE

The **MC1** Series features SMA or K connectors and an operation frequency range of DC to 40GHz. This series can be either failsafe or latching type. Available options include TTL, self-cutoff or pulse latching, indicator, and coil suppression, etc.



Specifications

Contact Material	Plated Au
Switching Sequence	Break before Make
Switching Time (max)	15msec
Impedance	50Ω
Temperature Range	-25°C to +65°C (Standard) -55°C to +85°C ("e" option)
Relative Humidity	5 to 85%
Operation Life (cycles)	1,000,000 (Standard) 5,000,000 ("h" option)
Vibration (operating)	10G RMS, 20-2000Hz
Mechanical Shock (non-operating)	50G, 1/2 Sine, 11msec
Weight (approx.)	70g

Voltage (VDC)		12	18	24	28
Current (mA)	Failsafe	190	136	98	83

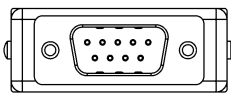
• Contact company if reduced coil current is required. Other coil voltage options are available upon request.

Standard

Frequency Range (GHz)	VSWR (max)	Insertion Loss (dB) (max)	Isolation (dB) (min)
DC-6	1.20	0.20	70
6-12	1.30	0.25	70
12-18	1.40	0.40	60
18-26.5	1.70	0.70	55
26.5-32	1.90	0.80	50
32-40	2.00	1.00	50

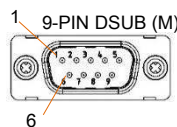
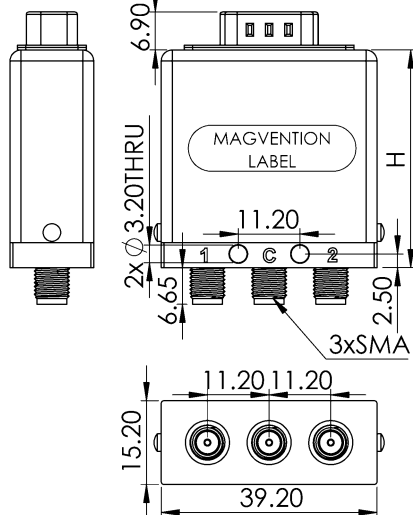
High Performance Option ("h")

Frequency Range (GHz)	VSWR (max)	Insertion Loss (dB) (max)	Isolation (dB) (min)
DC-1	1.1	0.10	90
DC-6	1.2	0.15	80
6-12	1.2	0.15	80
12-18	1.3	0.25	70
18-26.5	1.7	0.5	60
26.5-32	1.9	0.5	55
32-40	1.9	0.8	55



Solder Pins or DSUB 9

Pin No.	PINOUT
1	A1/V1 (J1-COM)
2	UNUSED
3	COM-
4	UNUSED
5	1 (IND.)
6	2 (IND.)
7	COM_I (IND.)
8	UNUSED
9	+VDC/+VDCI

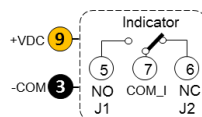


H = 40 (max)
H = 50 (max) for options with TTL and/or self cutoff
H = 60 (max) with Indicators

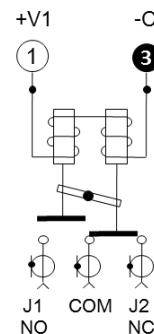
Optional Indicator Specifications

Max withstand voltage: 60V
Max current capacity: 100mA
Max "ON" resistance: 16Ω

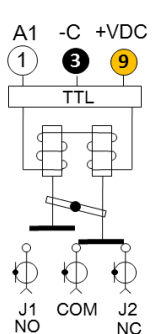
Note: +VDC and -C must be connected to operate.



Failsafe



Failsafe TTL



Mechanical drawings (unit: mm, tolerance +/-0.5mm).