

90WLPL WR90 Waveguide Low Power Load 8.2-12.4GHz with Rectangular Waveguide Interface



WR90 Waveguide Low Power Load Operating From 8.2 to 12.4GHz with Rectangular Waveguide Interface

Product Information

SKU	90WLPL
-----	--------

Description

Waveguide low power load 90WLPL, operating from 8.2 to 12.4GHz and low VSWR 1.03:1 90WLPL covers the WR90 sub waveguide band and comes with one flange FBP100(UBR100). It can handle 4W continuously and 4KW peak power. The WLPL series are for general version, low VSWR terminations for system application. The typical applications include system or test bench set-ups and small moderate power dummy loads.

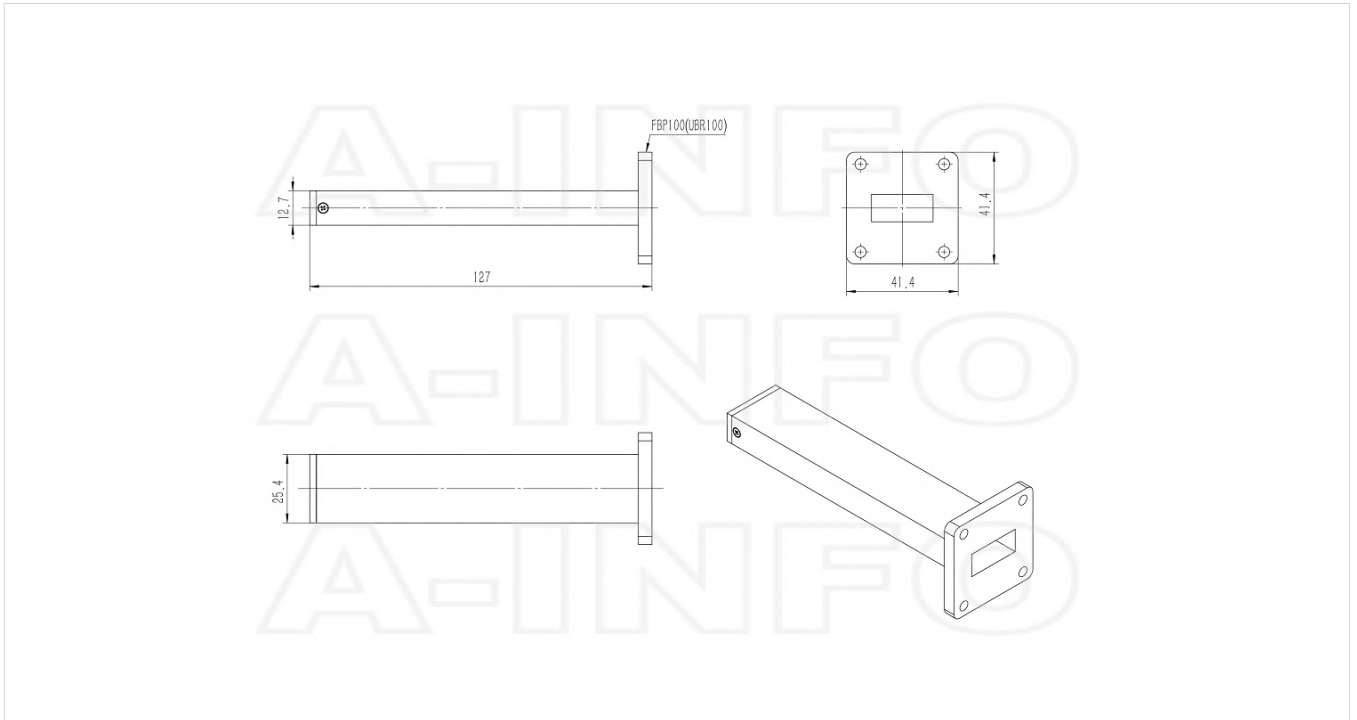
Technical Specification

Electrical Specification		Mechanical Specification	
WG Load Type	Low Power	Body Material	Al
Waveguide Band	X Ku	Finish	Chemical Conversion Coating, Gray Paint
Waveguide Type	Rectangular	Size, L (mm)	127
Waveguide Size EIA WR	WR90	Size, W (mm)	41.4
Frequency, Min (GHz)	8.2	Size, H (mm)	41.4
Frequency, Max (GHz)	12.4	Weight, (kg)	0.1
VSWR, Typ	1.025:1	Pressure Sealed	No
VSWR, Max	1.03:1	Environmental Specification	
Power Handling, CW, (W)	4	Operating Temp. Low (°C)	-55
Power Handling, Peak, (KW)	4	Operating Temp. High (°C)	85
Interface		Storage Temp. Low (°C)	-60
Flange Style	Square	Storage Temp. High (°C)	90
Flange Type	Cover		
Flange Designation	FBP100(UBR100)		

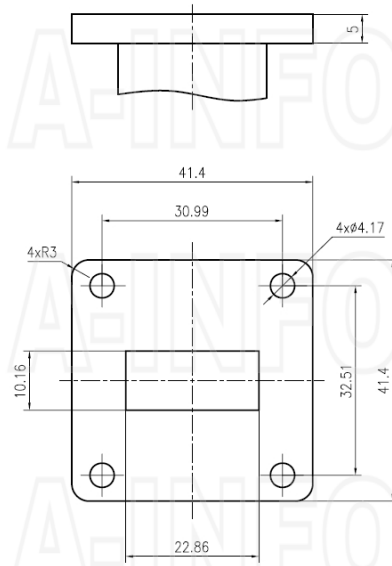
Additional Information

Application	General Purpose Indoor & Outdoor, Fixed
-------------	---

Outline Drawing



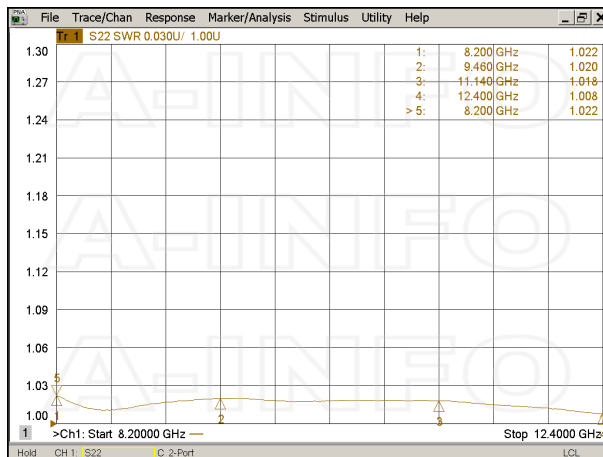
Flange Drawing



FBP100

Typical Test Results

VSWR



Related Products



90WCAN Right Angle Rectangular Waveguide to Coaxial Adapter 8.2-12.4GHz WR90 to N Type Female



90WCAS Right Angle Rectangular Waveguide to Coaxial Adapter 8.2-12.4GHz WR90 to SMA Female



90WAL-100 WR90 Rectangular Straight Waveguide 8.2-12.4GHz with Two Rectangular Waveguide Interfaces



90WEB-55-55-35 WR90 Radius Bend Waveguide E-Plane 8.2-12.4GHz with Two Rectangular Waveguide Interfaces



90WHB-50-50-20 WR90 Radius Bend Waveguide H-Plane 8.2-12.4GHz with Two Rectangular Waveguide Interfaces



90WTA-100 WR90 Rectangular Twist Waveguide 8.2-12.4GHz with Two Rectangular Waveguide Interfaces



90WFA-3 WR90 General Purpose Waveguide Fixed Attenuator 8.2-12.4GHz with Two Rectangular Waveguide Interfaces



90WPFA225-30 WR90 Waveguide Medium Power Precision Fixed Attenuator 8.2-12.4GHz with Two Rectangular Waveguide Interfaces



90WPFA750-60 WR90 Waveguide High Power Precision Fixed Attenuator 8.2-12.4GHz with Two Rectangular Waveguide Interfaces



90WVA-20 WR90 Waveguide Variable Attenuator 8.2-12.4GHz with Two Rectangular Waveguide Interfaces



90WL+C-30_Cu WR90 Waveguide Cross Coupler WL+C-XX Type 8.2-12.4GHz 30dB Coupling with Three Rectangular Waveguide Interfaces



90W+C-60_Cu WR90 Waveguide Cross Coupler W+C-XX Type 8.2-12.4GHz 60dB Coupling with Four Rectangular Waveguide Interfaces



90WC-3 WR90 Waveguide High Directional Coupler WC-XX Type E-Plane Bend 8.2-12.4GHz 3dB Coupling with Three Rectangular Waveguide Interfaces



90WET WR90 Waveguide E-Plane Tee 8.2-12.4GHz with Three Rectangular Waveguide Interfaces



90WHT WR90 Waveguide H-Plane Tee 8.2-12.4GHz with Three Rectangular Waveguide Interfaces



90WMT WR90 Waveguide Magic Tee 8.2-12.4GHz with Four Rectangular Waveguide Interfaces

Similar Products



90WPL WR90 Waveguide Precision Load 8.2-12.4GHz with Rectangular Waveguide Interface



90WMPL25 WR90 Waveguide Low-Medium Power Load 8.2-12.4GHz with Rectangular Waveguide Interface



90WMPL50 WR90 Waveguide Low-Medium Power Load 8.2-12.4GHz with Rectangular Waveguide Interface



90WMPL225 WR90 Waveguide Medium Power Load 8.2-12.4GHz with Rectangular Waveguide Interface



90WHPL500 WR90 Waveguide High Power Load 8.2-12.4GHz with Rectangular Waveguide Interface



90WHPL750 WR90 Waveguide High Power Load 8.2-12.4GHz with Rectangular Waveguide Interface



90WHPL1100 WR90 Waveguide High Power Load 8.2-12.4GHz with Rectangular Waveguide Interface



90WHPL1700 WR90 Waveguide High Power Load 8.2-12.4GHz with Rectangular Waveguide Interface



90WHPL4500 WR90 Waveguide High Power Load 8.2-12.4GHz with Rectangular Waveguide Interface



90WSL WR90 Waveguide Sliding Load 8.2-12.4GHz with Rectangular Waveguide Interface

About this Datasheet

<ul style="list-style-type: none"> ● Product Information Product Link: https://www.ainfoinc.com/90wpl-wr90-waveguide-low-power-load-8-2-12-4-ghz-fbp100-ubr100 Data subject to change without notice. © A-INFO INC. 2024. All Rights Reserved 	<ul style="list-style-type: none"> ● Contact Us Address: 60 Tesla, Irvine, CA 92618, USA Website: www.ainfoinc.com Email: sales@ainfoinc.com 	<ul style="list-style-type: none"> ● Phone & Fax Phone: +1-949-639-9688 +1-949-639-9608 Fax: +1-949-639-9670
---	--	--