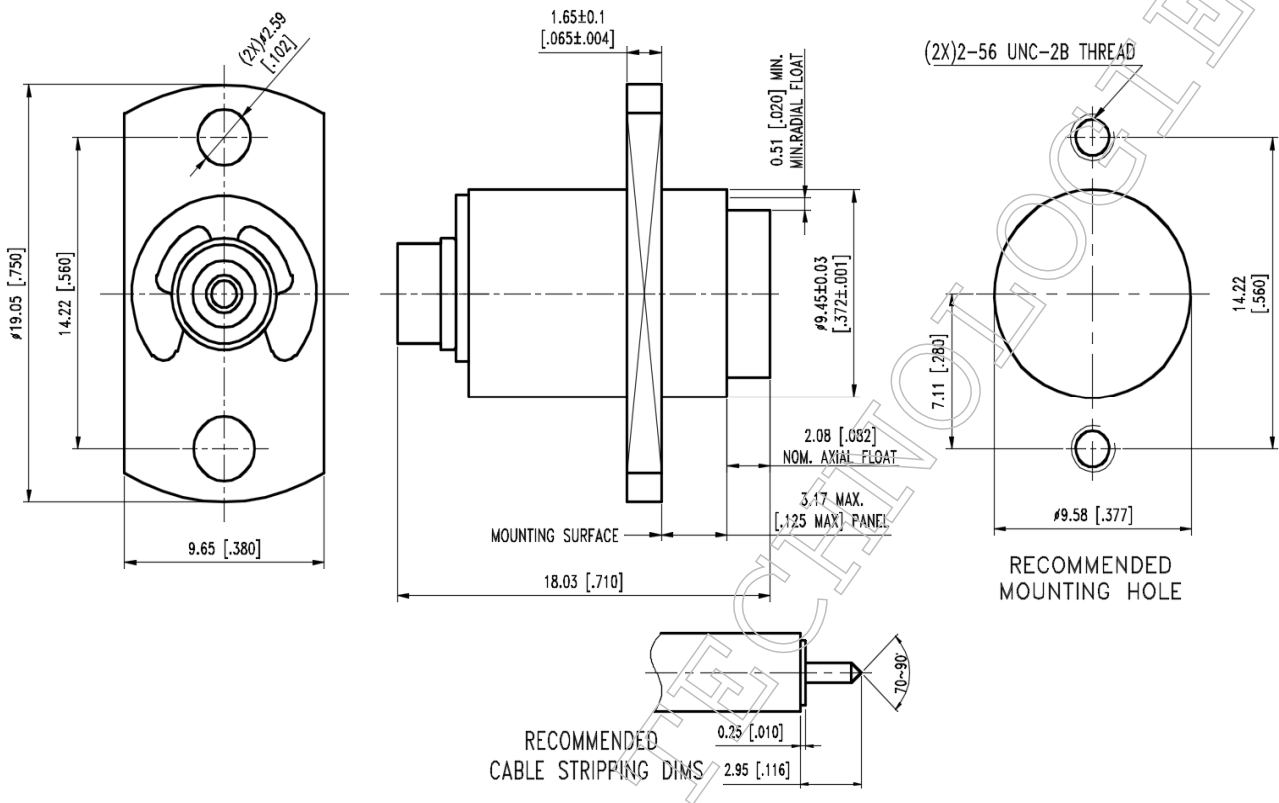


▪ **Outline Dimension Drawing**

Dimensions: mm[inch]



▪ **Material Specification**

Description	Material	Plating
Body	Stainless Steel	Passivate
Body	Stainless Steel	Gold
Contact	BeCu	Gold
Dielectric	PTFE	
Spring	Stainless Steel	
E-ring	Spring Steel	Nickel
Insert	BeCu	Gold
Washer	BeCu	Gold
Washer	BRASS	Nickel

In the effort to improve our products, we reserve the right to make changes judged to be necessary



▪ **Electrical Specification**

Description			Description		
Impedance	50	Ω	Insulation Resistance	5000	MΩ Min.
Frequency	22	GHz	Inner Contact Resistance	6	mΩ Max.
VSWR	1.3	Max.	Outer Contact Resistance	2	mΩ Max.
Insertion Loss	0.28	dB Max.			
Voltage Rating	335	Vrms Max.			
Dielectric Withstanding Voltage	1000	Vrms Max.			

▪ **Mechanical Specification**

Description		
Center Contact Retention	6	lbs. Min.
Engagement Force	3	lbs. Max.
Disengagement Force	1.5	lbs. Max.
Connector Durability	500	matings min.
Weight	5	g

▪ **Environmental Specification**

Description		
Temperature Min.	-65	°C
Temperature Max.	125	°C
Hermetic Seal	N/A	

In the effort to improve our products, we reserve the right to make changes judged to be necessary