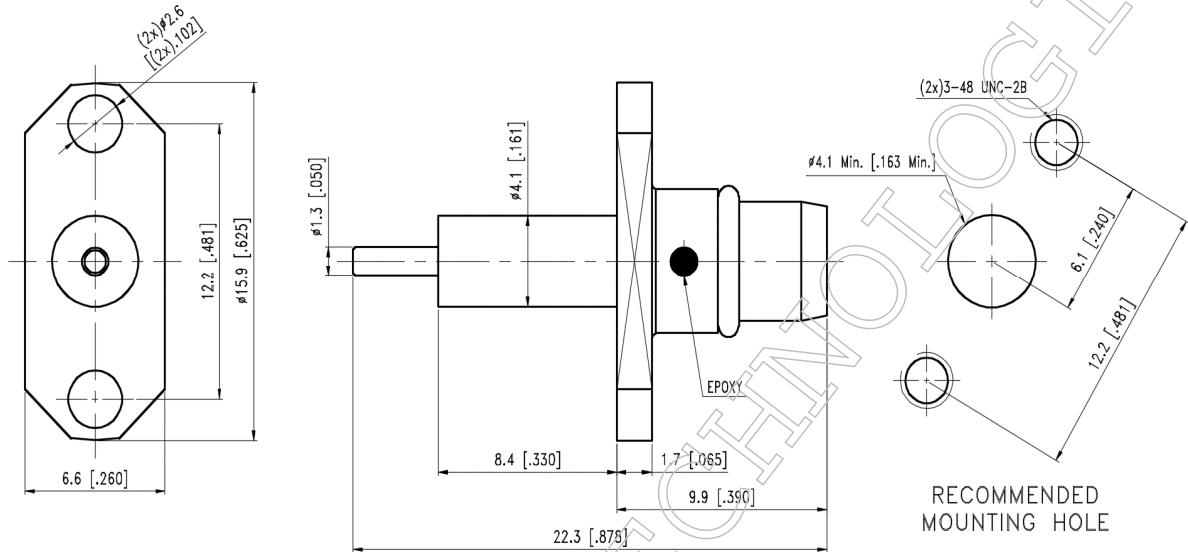


▪ **Outline Dimension Drawing**

Dimensions: mm[inch]



▪ **Material Specification**

Description	Material	Plating
Body	Stainless Steel	Gold
Contact	BeCu	Gold
Insulator	PTFE	
O-ring	S.I.R	Reddish Brown

In the effort to improve our products, we reserve the right to make changes judged to be necessary



▪ **Electrical Specification**

Description		Description	
Impedance	50 Ω	Insulation Resistance	5000 MΩ Min.
Frequency	18 GHz	Inner Contact Resistance	6 mΩ Max.
VSWR	1.3 Max.	Outer Contact Resistance	2 mΩ Max.
Insertion Loss	0.25 dB Max.		
Voltage Rating	375 Vrms Max.		
Dielectric Withstanding Voltage	1500 Vrms Max.		

▪ **Mechanical Specification**

Description		Description	
Center Contact Retention	6 lbs. Min.		
Engagement Force	3 lbs. Max.		
Disengagement Force	1.5 lbs. Max.		
Connector Durability	500 matings min.		
Weight	N/A g		

▪ **Environmental Specification**

Description		Description	
Temperature Min.	-65 °C		
Temperature Max.	125 °C		
Hermetic Seal	N/A		

In the effort to improve our products, we reserve the right to make changes judged to be necessary