

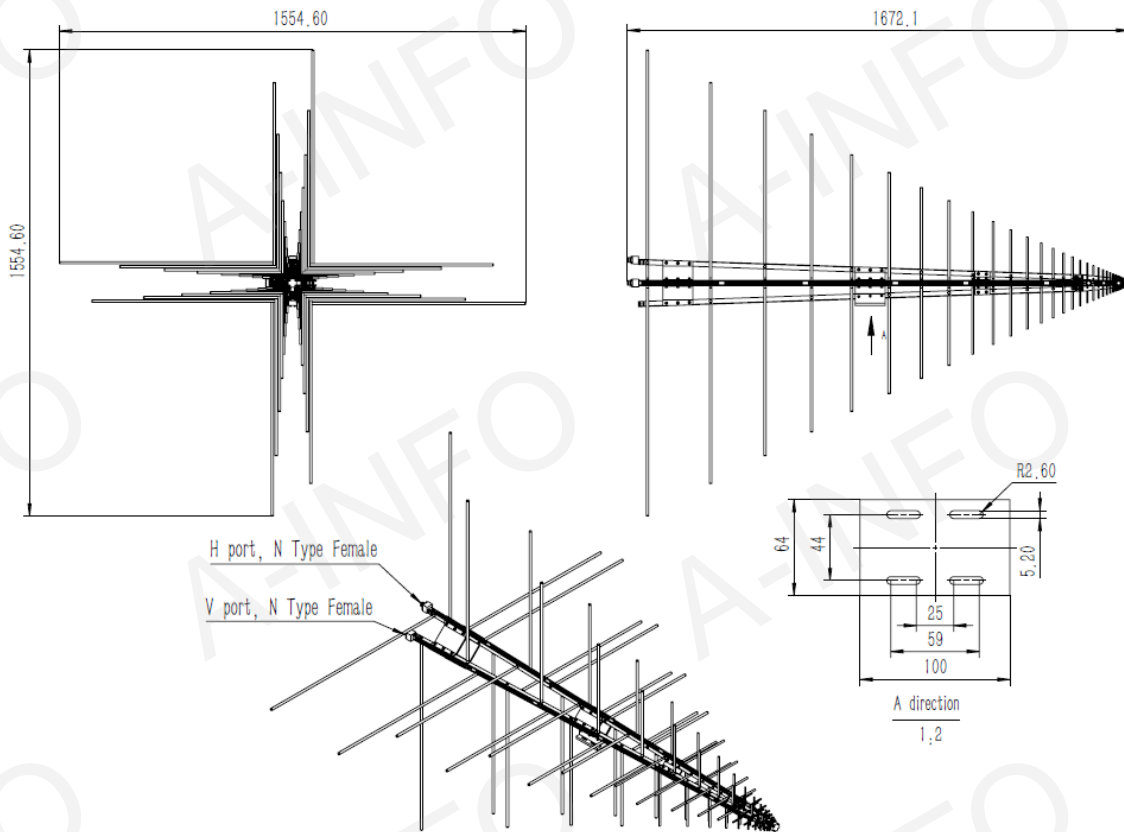
Technical Specification



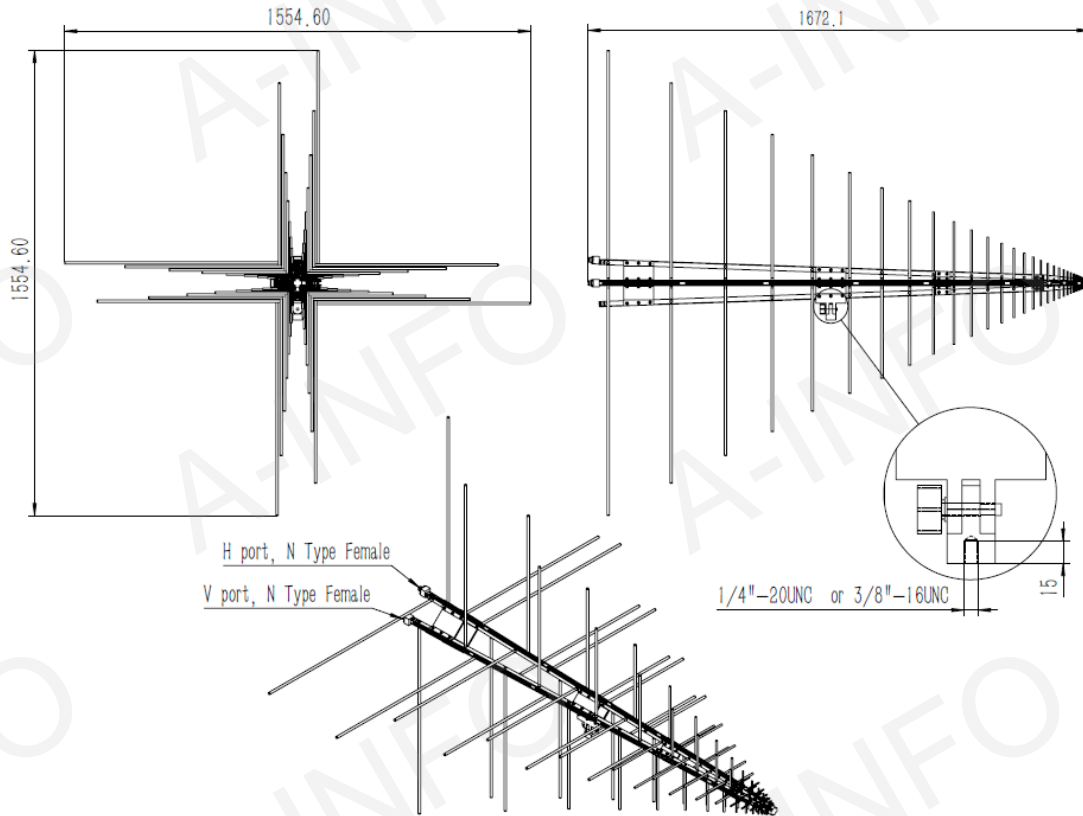
Frequency Range(GHz)	0.1 - 3.0
Gain(dB)	7 Typ.
Polarization	Dual Pol.
VSWR	2.0:1 Typ.
Port to Port Isolation(dB)	20 Min.
Cross Pol. Isolation(dB)	15 Typ.
Connector	N -Female
Size(mm)	1554.6x1554.6x1666.6
Net. Weight(Kg)	5.0 Approx.

Outline Drawing (Size: mm)

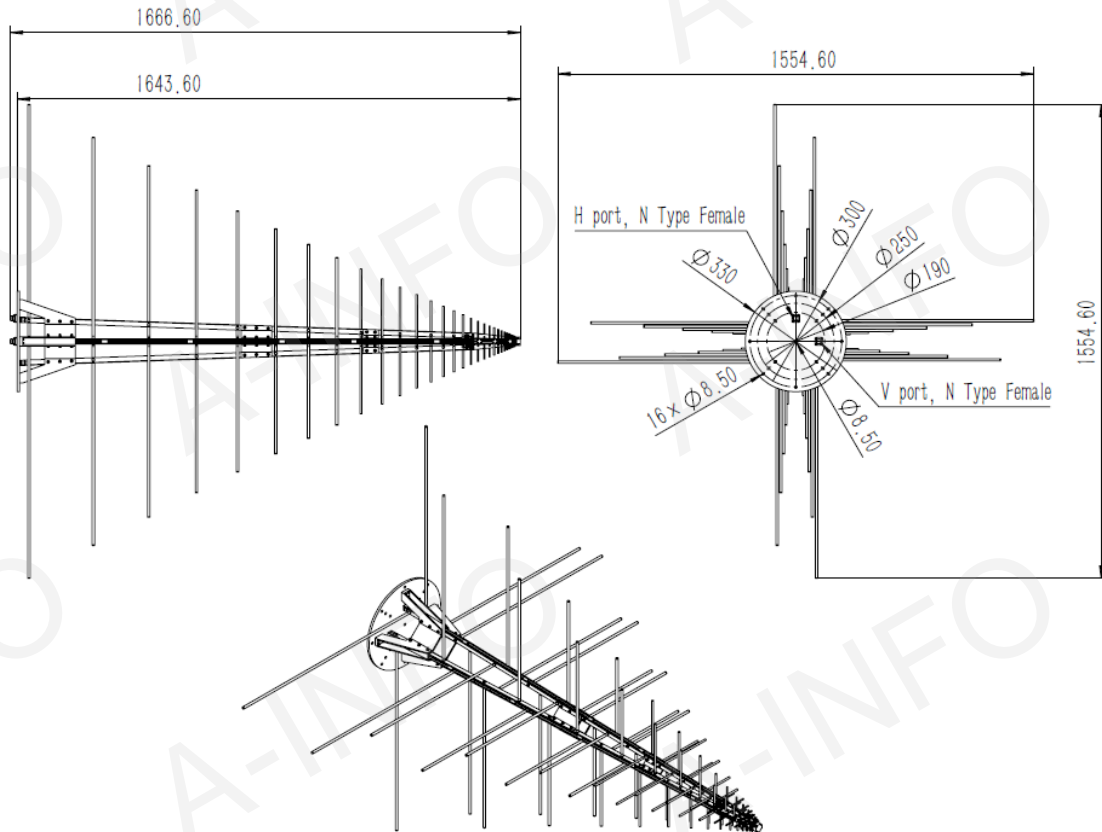
N Female Output with MB (Used for platform installing)



N Female Output with MBA (Used for tripod installing)



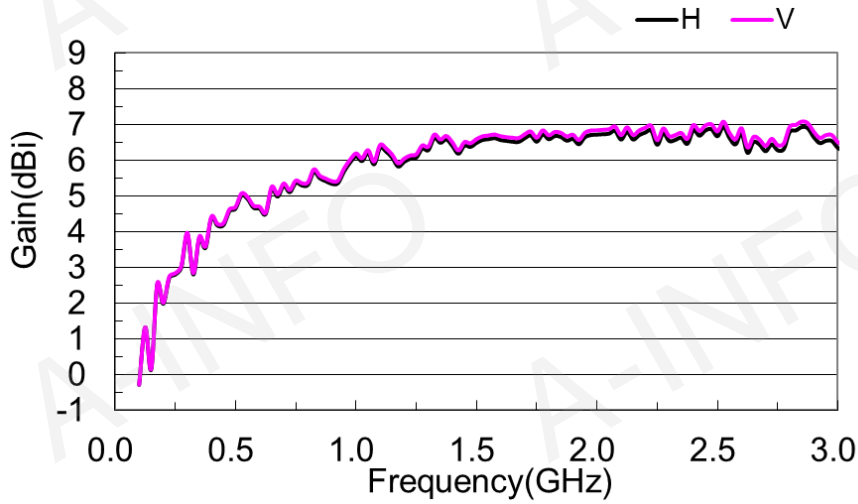
P/N: DS-SJ-10300C, N Female Output, Back Mounting Configuration.



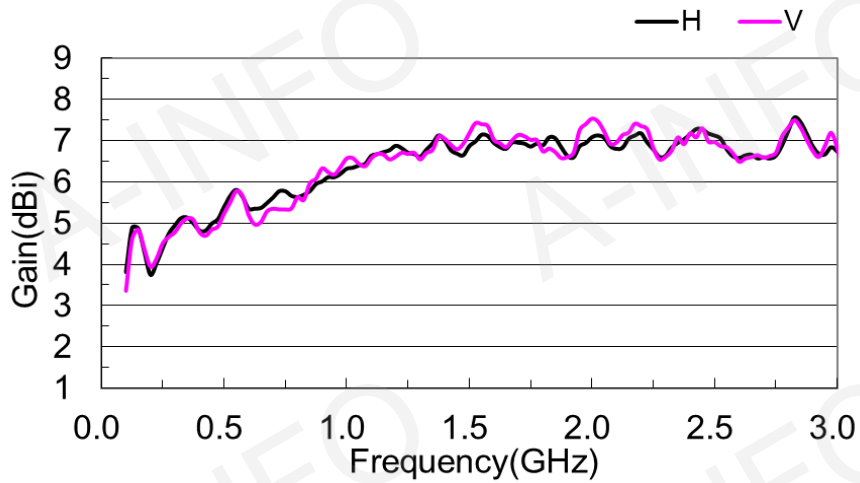
Test Results

1. Gain

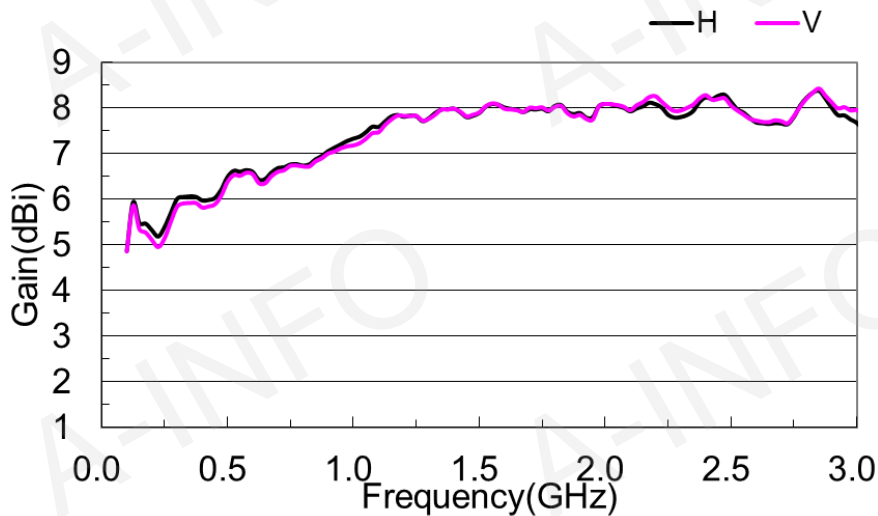
Gain at 1m



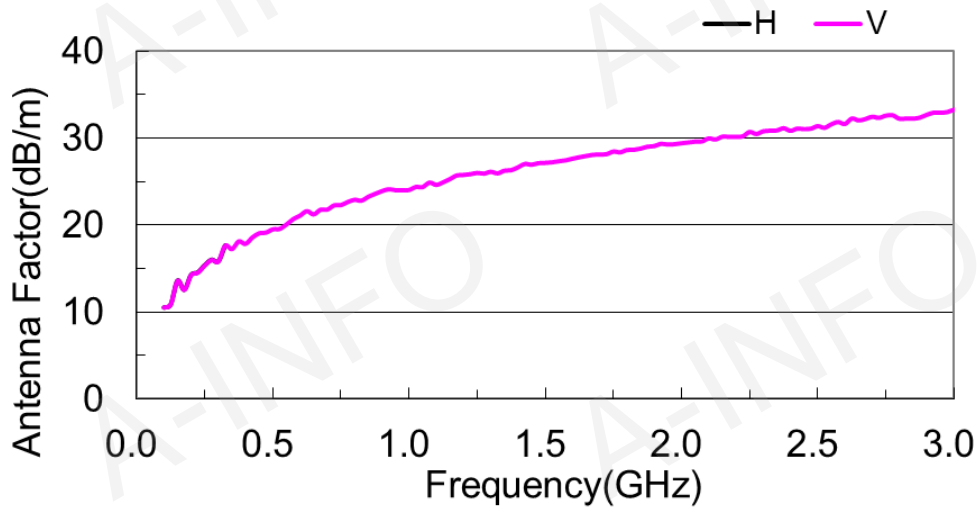
Gain at 3m



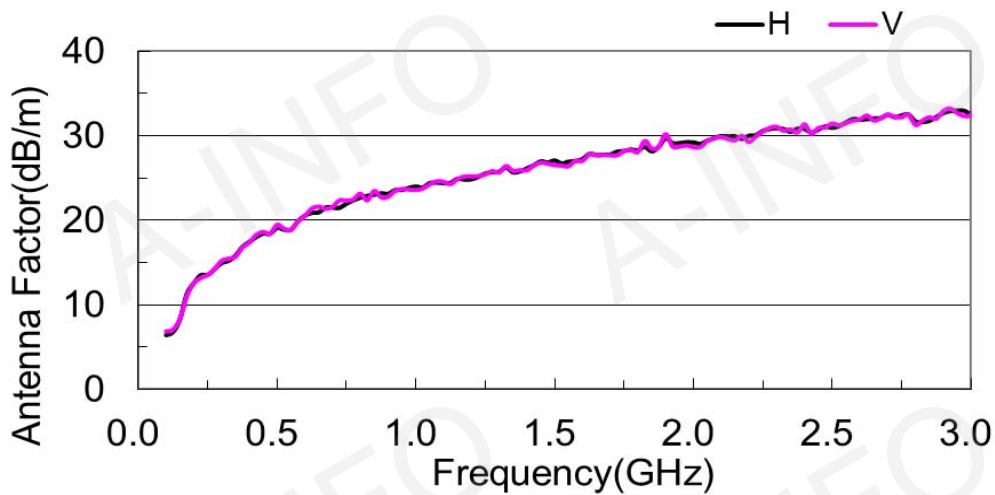
Gain at 10m



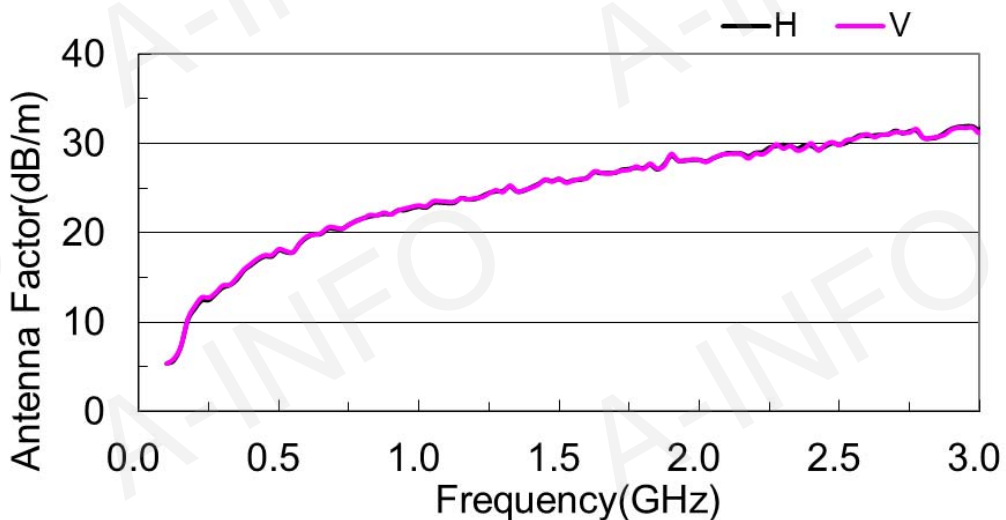
2. Antenna Factor AF at 1m



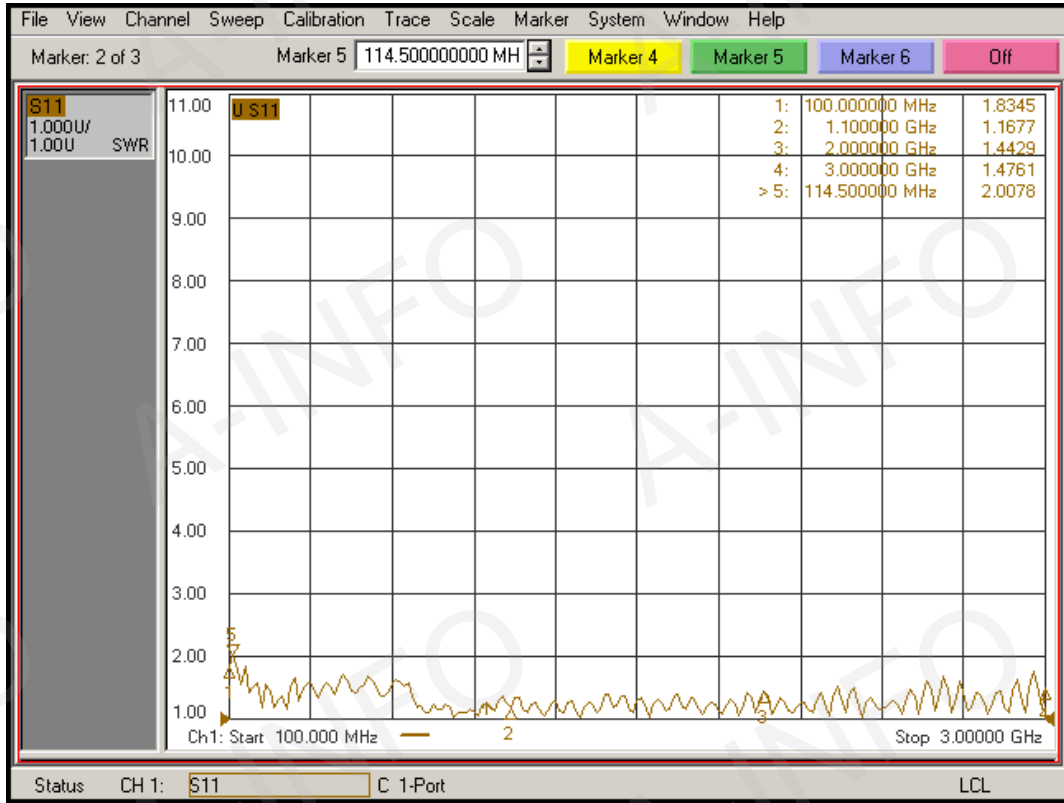
AF at 3m



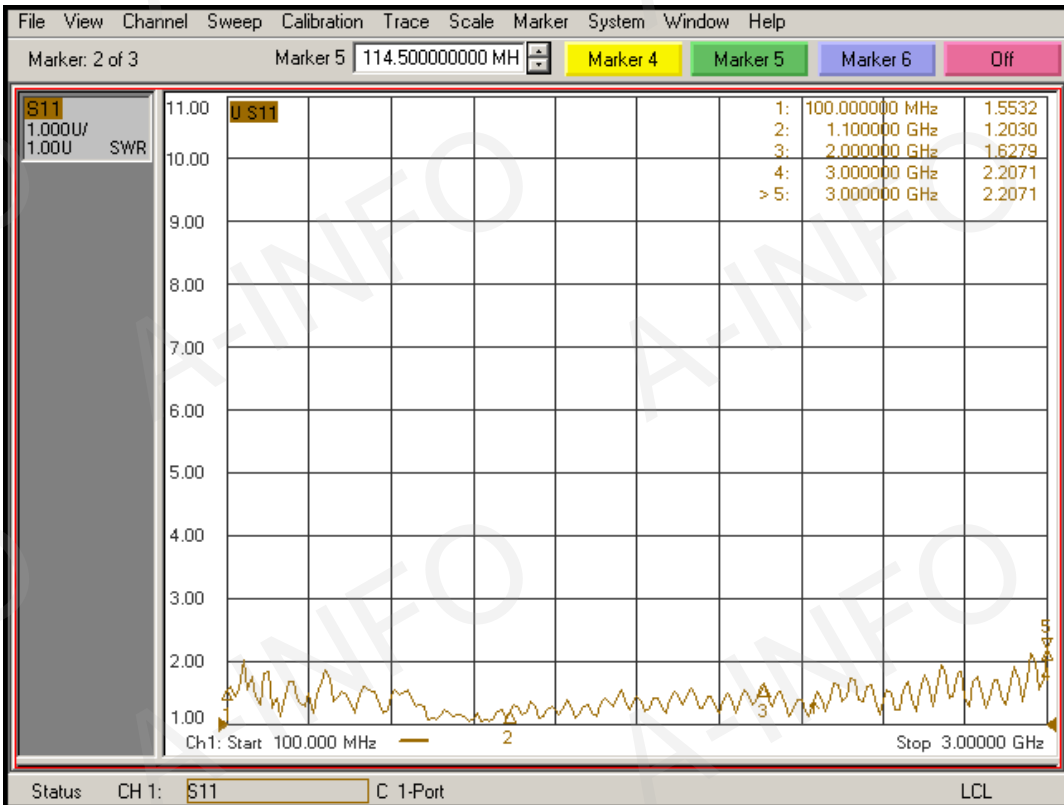
AF at 10m



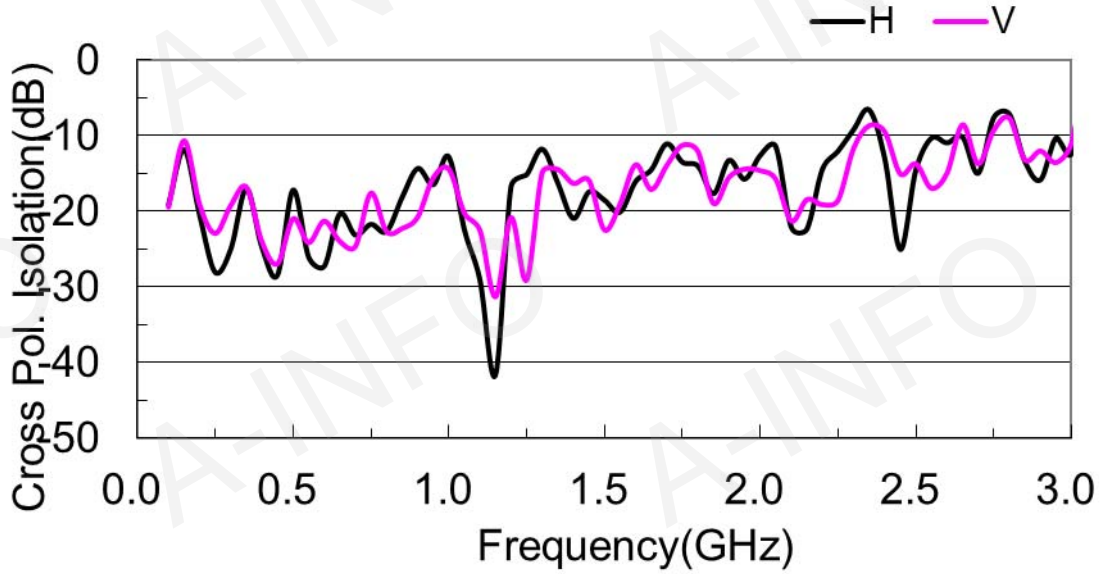
3. VSWR Port-V



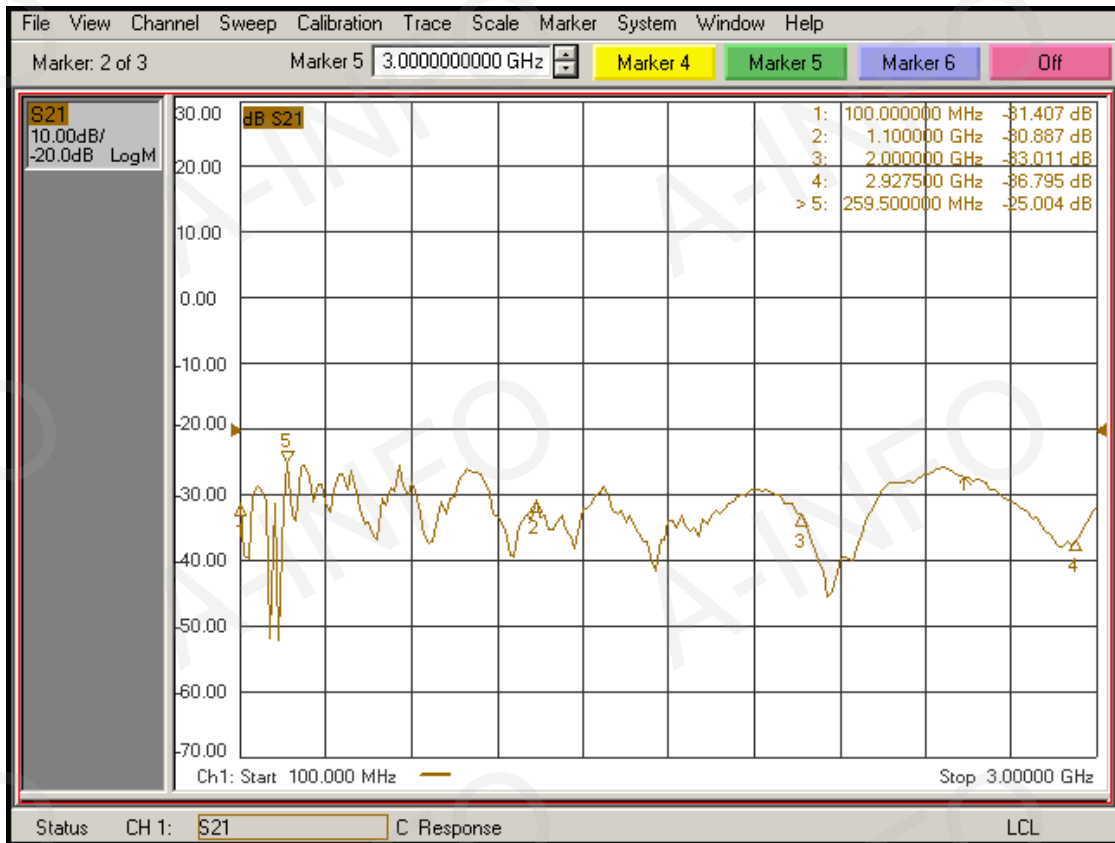
Port-H



4. Cross Polarization Isolation



5. Port to Port Isolation



6. Pattern

