

340WHT WR340 Waveguide H-Plane Tee 2.2-3.3GHz with Three Rectangular Waveguide Interfaces

WR340 Waveguide H-Plane Tee Operating From 2.2 to 3.3GHz with Three Rectangular Waveguide Interfaces



Product Information

SKU	340WHT
-----	--------

Description

Waveguide H-plane tee 340WHT, operating from 2.2 to 3.3GHz with a 0.1dB insertion loss and low VSWR 1.50:1. 340WHT is a three-ports waveguide connector. All the ports have standard WR340 waveguides with the same flanges FDP26(UDR26). The waveguide H-plane tees are used to separate the signal at H plane rectangular port into the collinear arm with the two rectangular waveguide ports or synthesize the signal from the two ports of the collinear arm into the H plane port.

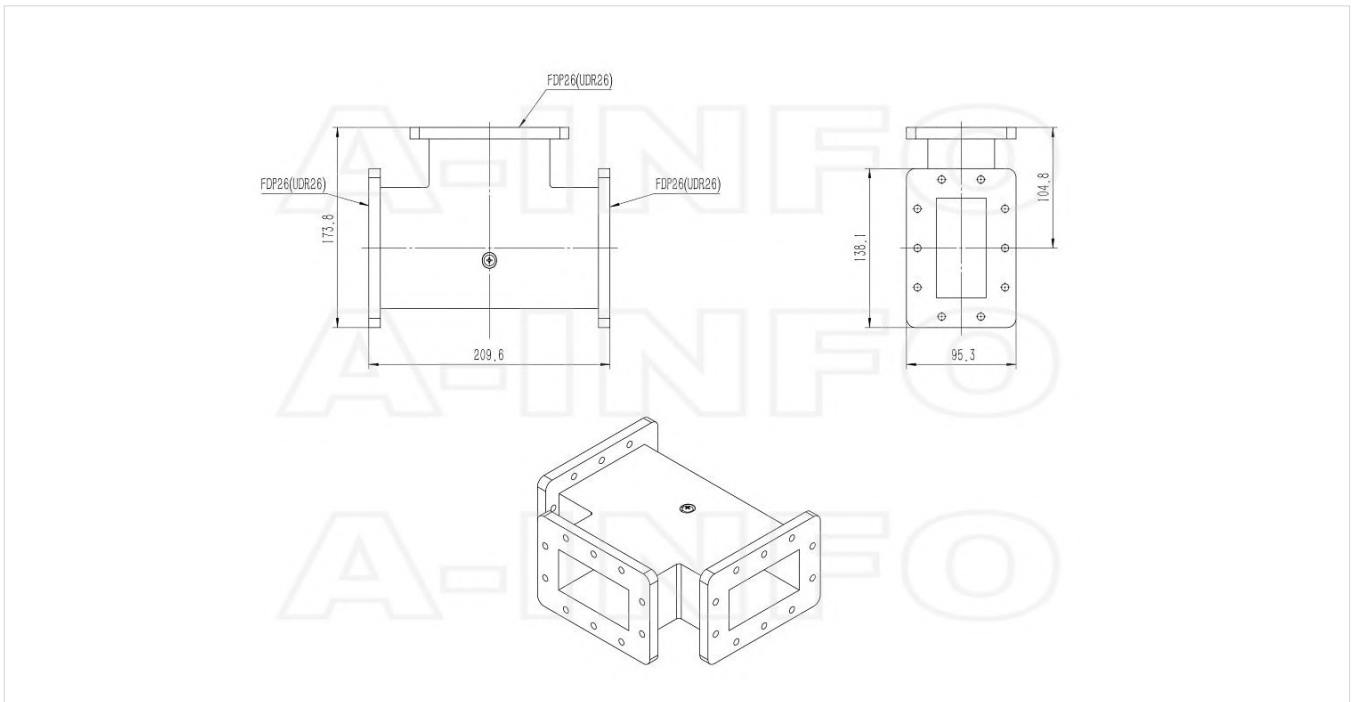
Technical Specification

Electrical Specification		Interface	
WG Tee Type	H-Plane Tee	Flange 3 Style	Rectangular
Waveguide Band	S	Flange 3 Type	Cover
Waveguide Type	Rectangular	Flange 3 Designation	FDP26(UDR26)
Waveguide Size EIA WR	WR340	Mechanical Specification	
Frequency, Min (GHz)	2.2	Body Material	Al
Frequency, Max (GHz)	3.3	Size, L (mm)	209.6
I.L., Typ (dB)	0.1	Size, W (mm)	95.3
I.L., Max (dB)	0.2	Size, H (mm)	173.8
VSWR, Typ	1.50:1	Weight, (kg)	2.2
Amplitude Balance, Max (±dB)	0.25	Pressure Sealed	No
Phase Balance, Max (Deg.)	5	Environmental Specification	
Power Handling, CW, (W)	8000	Operating Temp. Low (°C)	-55
Power Handling, Peak, (KW)	4000	Operating Temp. High (°C)	85
Interface		Storage Temp. Low (°C)	-60
Flange 1 Style	Rectangular	Storage Temp. High (°C)	90
Flange 1 Type	Cover		
Flange 1 Designation	FDP26(UDR26)		
Flange 2 Style	Rectangular		
Flange 2 Type	Cover		
Flange 2 Designation	FDP26(UDR26)		

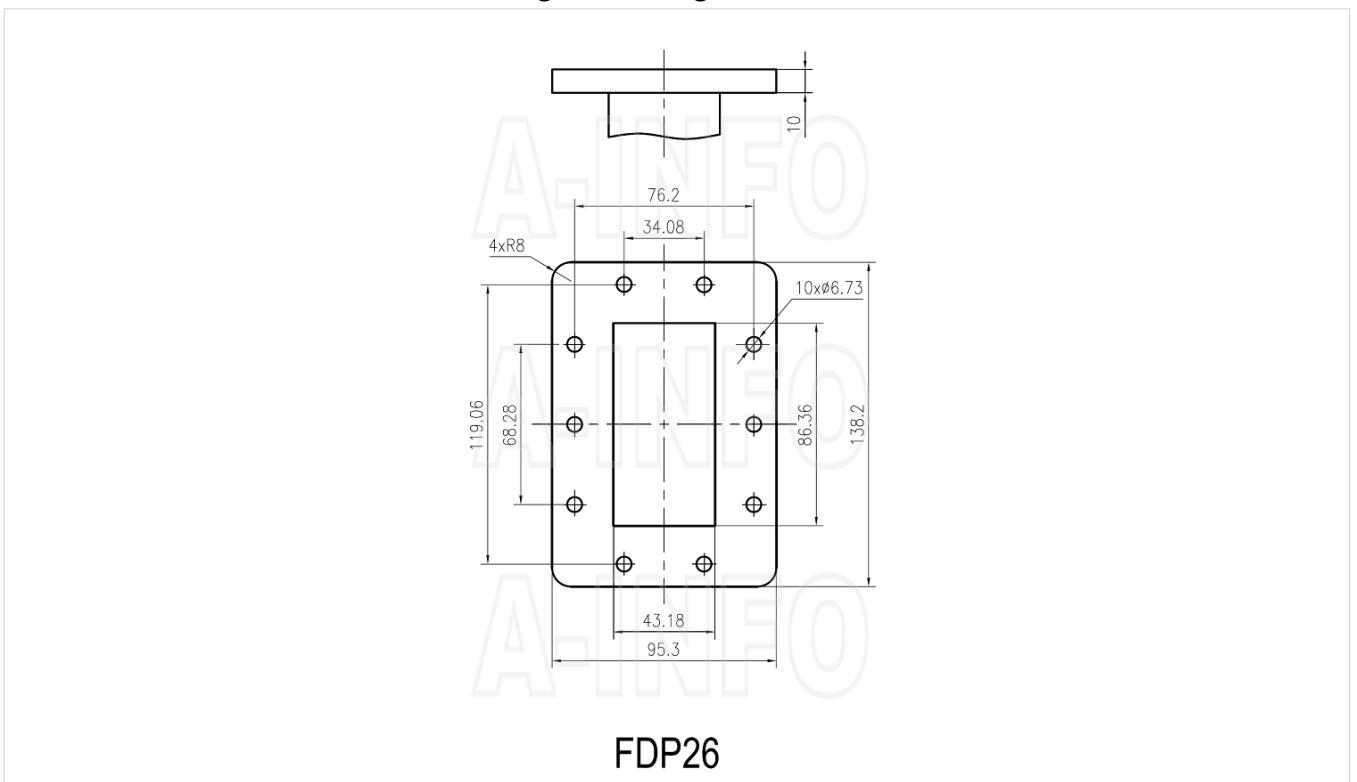
Additional Information

Application	General Purpose Indoor & Outdoor, Fixed
-------------	---

Outline Drawing(Size: mm)

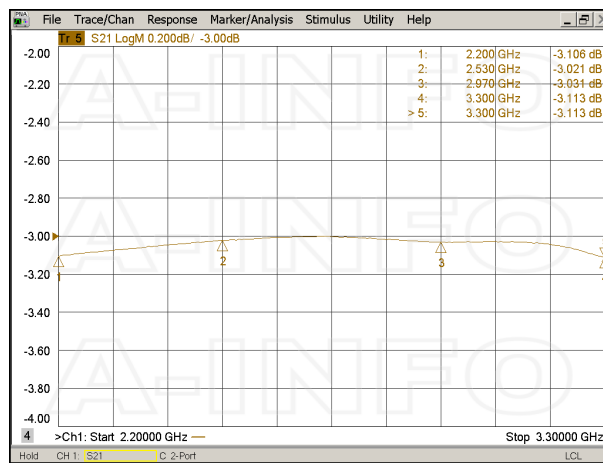


Flange Drawing(Size: mm)

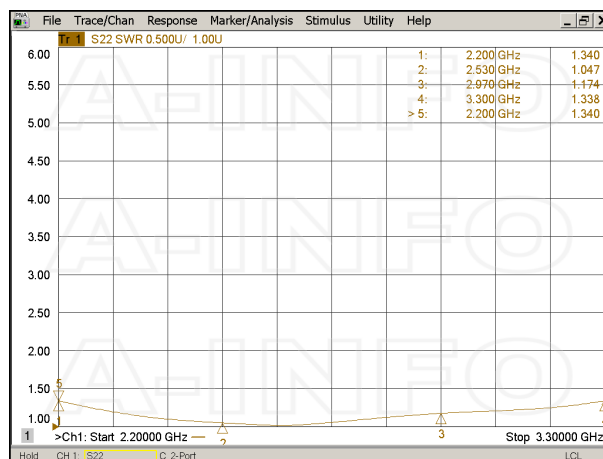


Typical Test Results

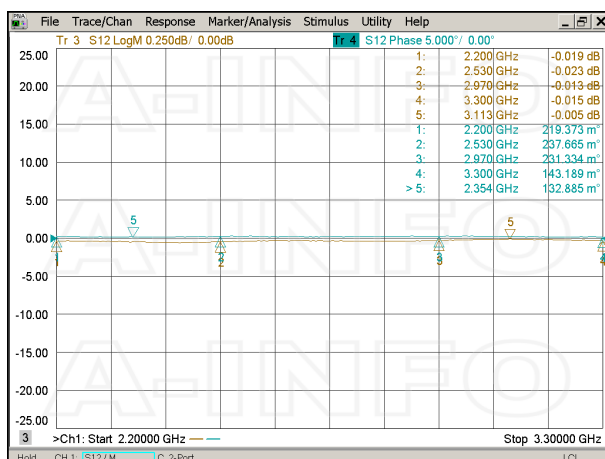
Insertion Loss(Including the theoretical loss 3.0dB)



VSWR



Amplitude Balance & Phase Balance



Similar Products



284WET WR284 Waveguide E-Plane Tee 2.6-3.95GHz with Three Rectangular Waveguide Interfaces



284WHT WR284 Waveguide H-Plane Tee 2.6-3.95GHz with Three Rectangular Waveguide Interfaces



284WMT WR284 Waveguide Magic Tee 2.6-3.95GHz with Four Rectangular Waveguide Interfaces



284WMT_PM5 WR284 Waveguide Magic Tee 2.6-3.95GHz with Four Rectangular Waveguide Interfaces



284WMT_PM6 WR284 Waveguide Magic Tee 2.6-3.95GHz with Four Rectangular Waveguide Interfaces



340WET WR340 Waveguide E-Plane Tee 2.2-3.3GHz with Three Rectangular Waveguide Interfaces



340WMT WR340 Waveguide Magic Tee 2.2-3.3GHz with Four Rectangular Waveguide Interfaces



430WET WR430 Waveguide E-Plane Tee 1.7-2.6GHz with Three Rectangular Waveguide Interfaces



430WHT WR430 Waveguide H-Plane Tee 1.7-2.6GHz with Three Rectangular Waveguide Interfaces



430WMT WR430 Waveguide Magic Tee 1.7-2.6GHz with Four Rectangular Waveguide Interfaces

About this Datasheet

<ul style="list-style-type: none"> • Product Information Product Link: https://www.ainfoinc.com/340wht-wr340-waveguide-h-plane-tee-2-2-3-3-ghz-fdp26-udr26 Data subject to change without notice. © A-INFO INC. 2024. All Rights Reserved 	<ul style="list-style-type: none"> • Contact Us Address: 60 Tesla, Irvine, CA 92618, USA Website: www.ainfoinc.com Email: sales@ainfoinc.com 	<ul style="list-style-type: none"> • Phone & Fax Phone: +1-949-639-9688 +1-949-639-9608 Fax: +1-949-639-9670
---	--	--