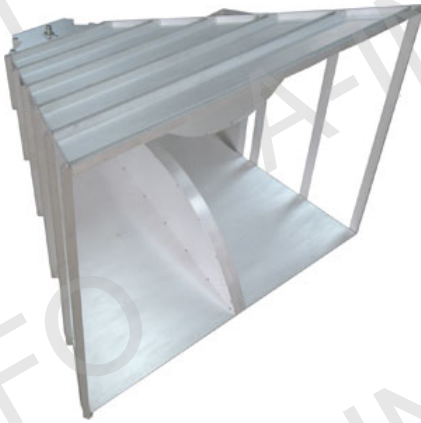


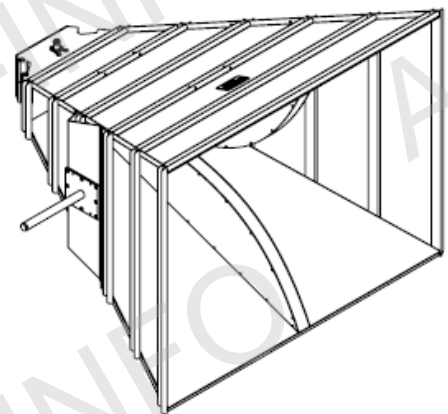
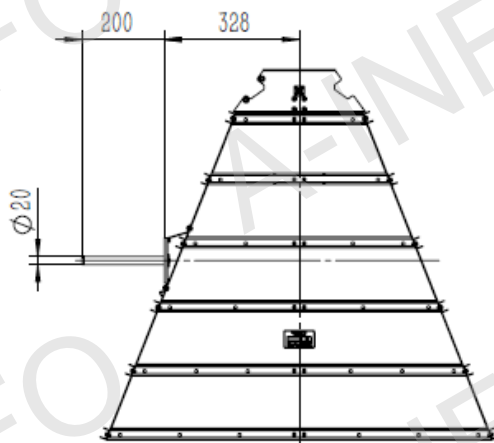
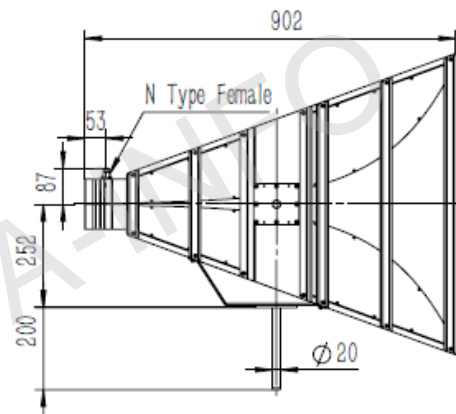
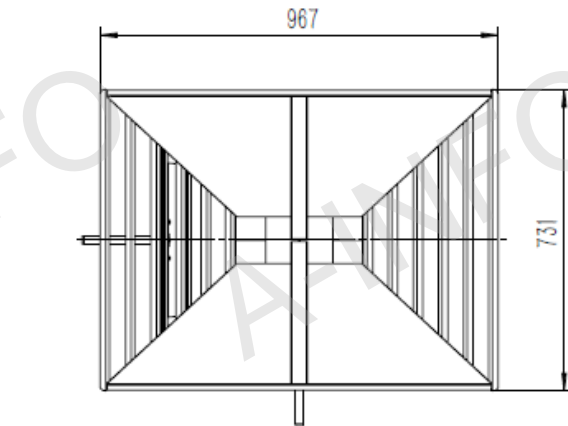
Technical Specification



Frequency Range(GHz)	0.2 - 2.5
Gain(dB)	12 Typ.
Polarization	Linear
VSWR	2.0:1 Typ.
Connector	N-Female
Power Handling(W)	800 Max. CW
Size(mm)	967 x 730 x 903
Antenna Weight	14.14 Kg (16.34Kg Including Hand Holder)

Outline Drawing (Size: mm)

N Type Female Output



AINFO Inc.

Page 1 of 6

China(Beijing):
China(Chengdu):
USA :

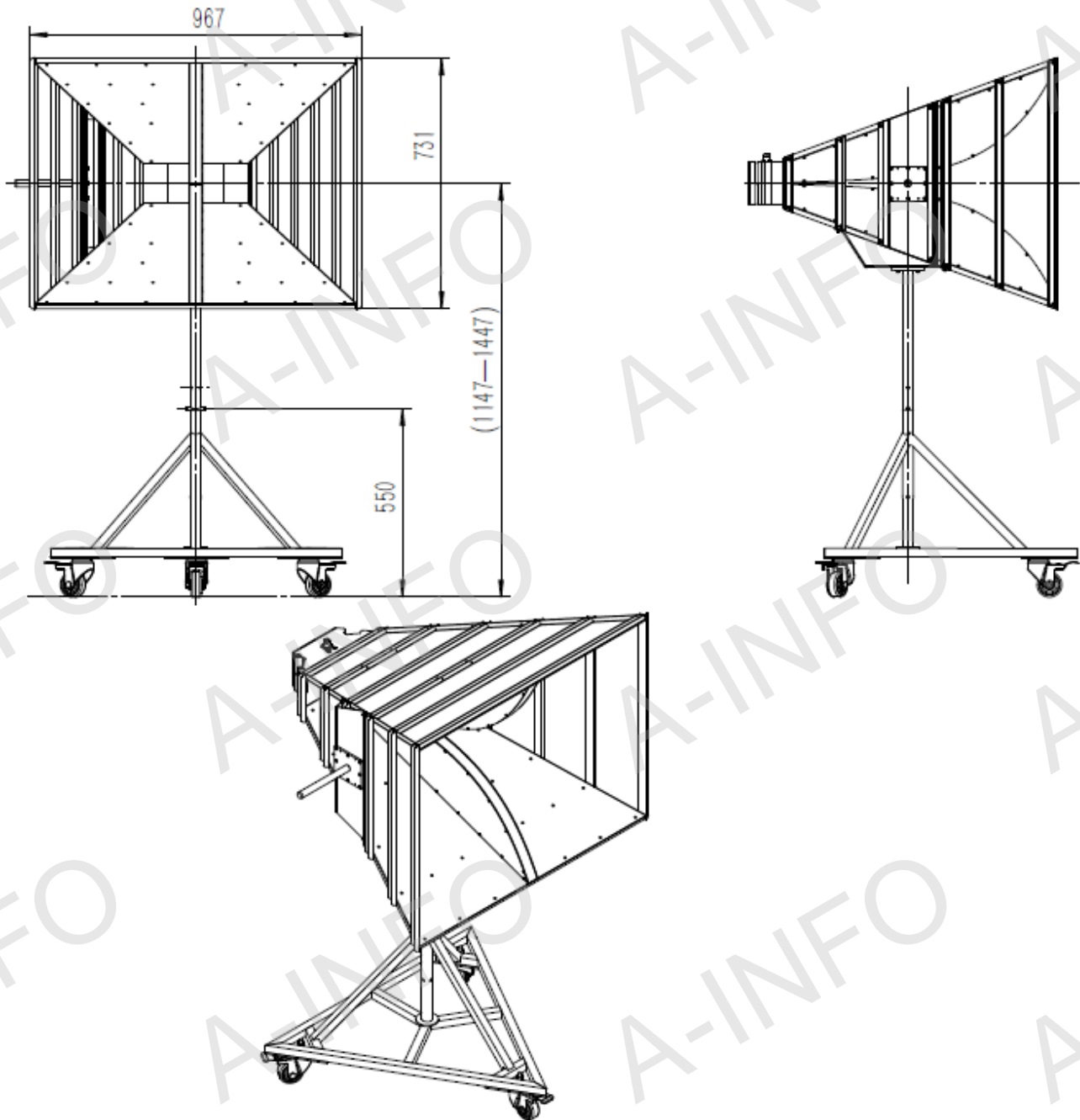
Tel: (+86) 10-6266-7326,
Tel: (+86) 28-8519-2786,
Tel: (+1) 949-639-9688,

(+86) 10-6266-7327
(+86) 28-8519-3044
(+1) 949-639-9608

Fax: (+86) 10-6266-7379
Fax: (+86) 28-8519-3068
Fax: (+1) 949-639-9670

Website: www.ainfoinc.com
Email: sales@ainfoinc.com

N Type Female Output with Tripod



AINFO Inc.

Page 2 of 6

China(Beijing):
China(Chengdu):
USA :

Tel: (+86) 10-6266-7326,
Tel: (+86) 28-8519-2786,
Tel: (+1) 949-639-9688,

(+86) 10-6266-7327
(+86) 28-8519-3044
(+1) 949-639-9608

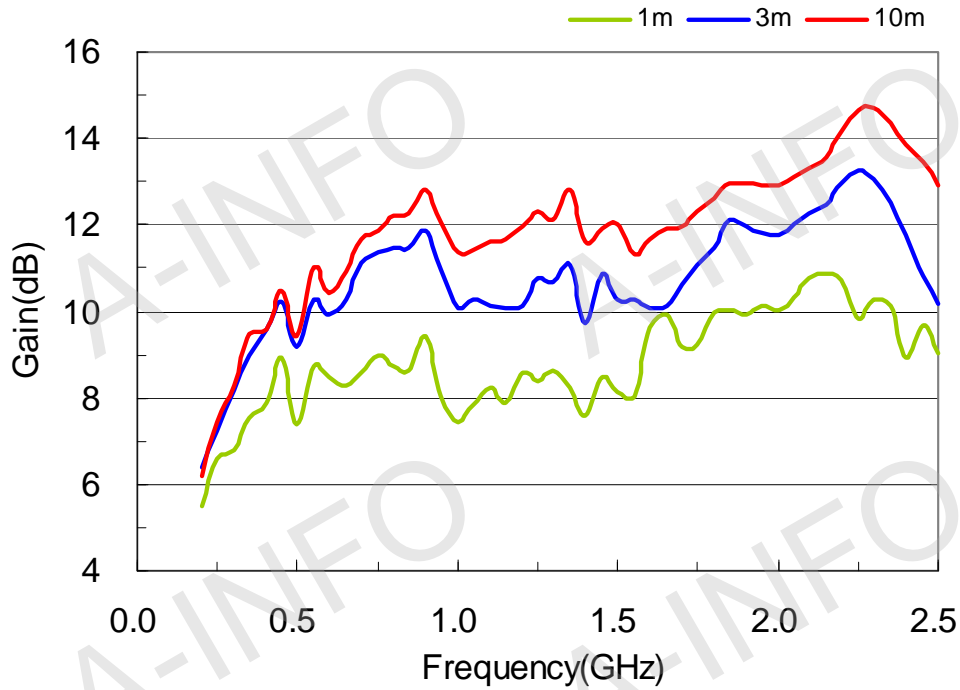
Fax: (+86) 10-6266-7379
Fax: (+86) 28-8519-3068
Fax: (+1) 949-639-9670

Website: www.ainfoinc.com
Email: sales@ainfoinc.com

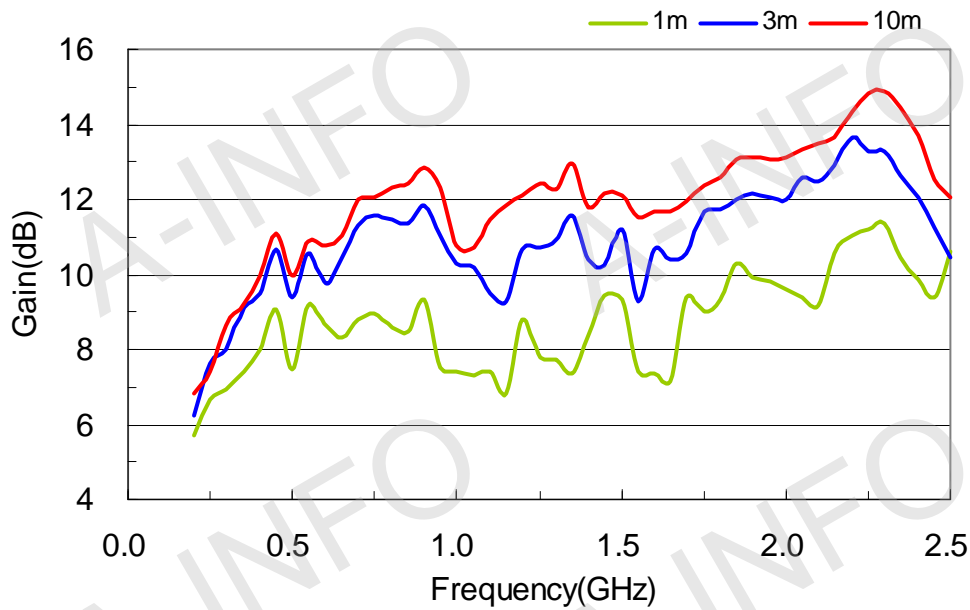
Test Results

1. Gain

Horizontal Polarization

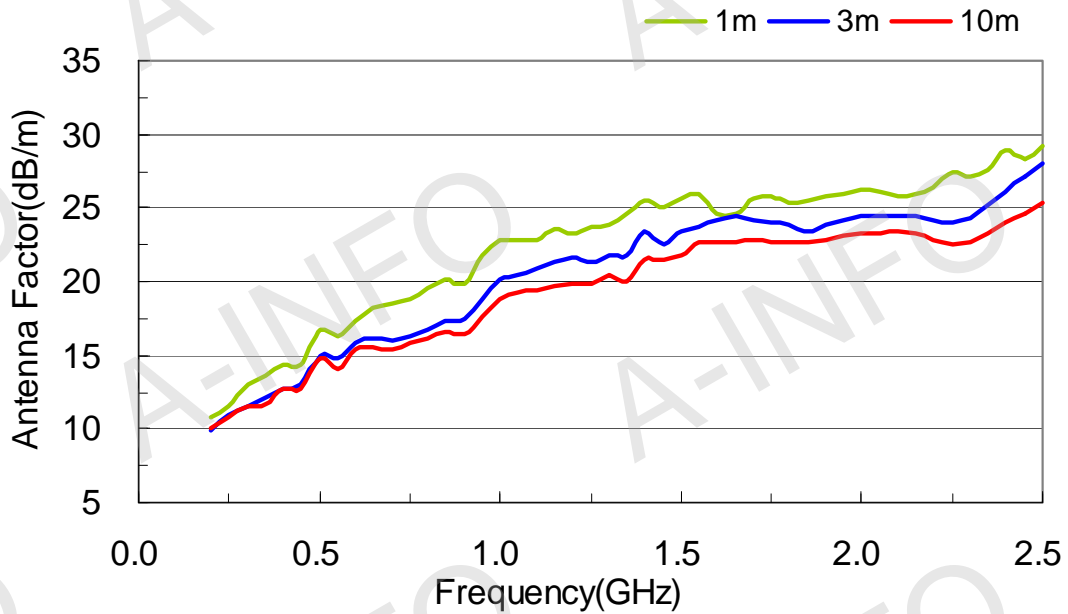


Vertical Polarization

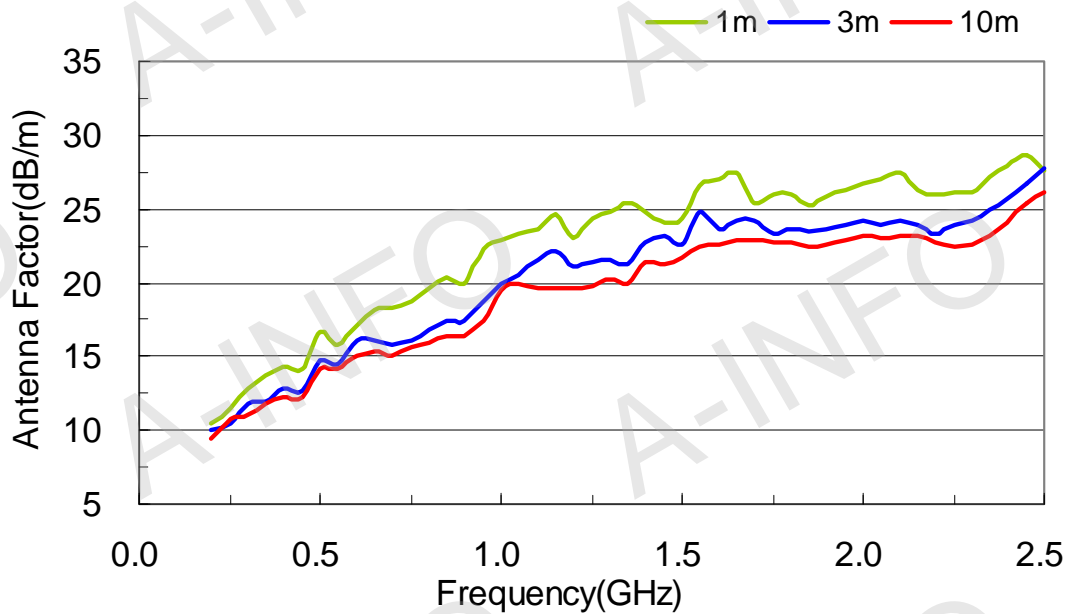


2. Antenna Factor

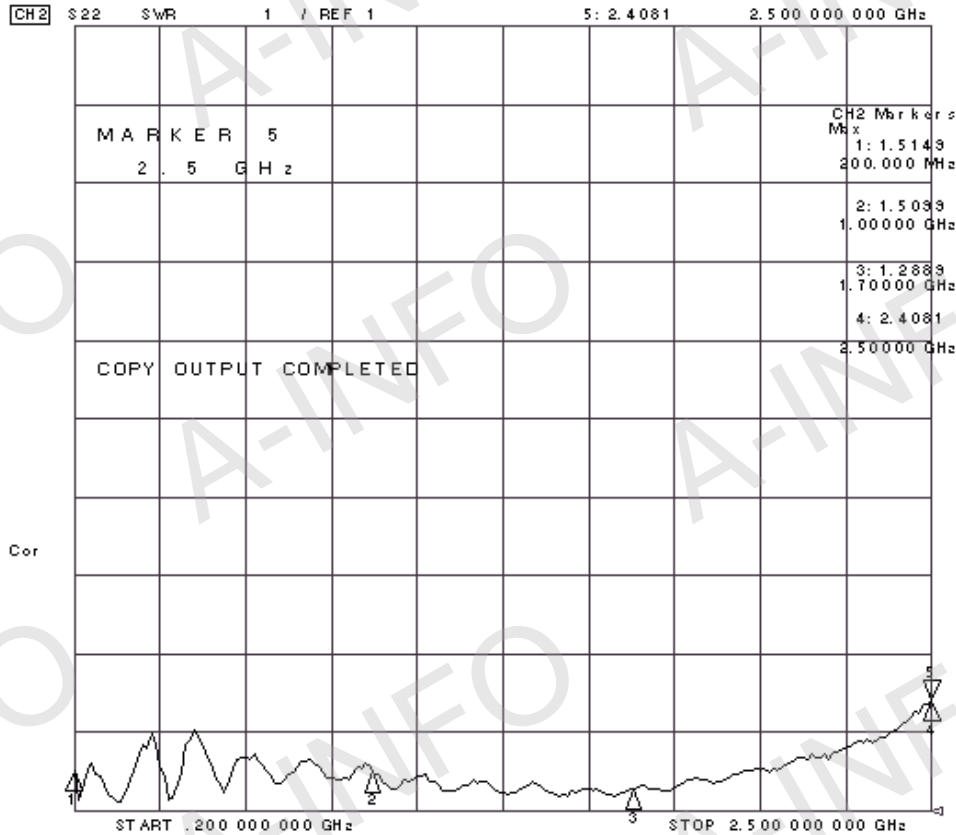
Horizontal Polarization



Vertical Polarization



3. VSWR



4. Pattern

