



28WMT\_Cu WR28 Waveguide Magic Tee 26.5-40GHz with Four Rectangular Waveguide Interfaces

WR28 Waveguide Magic Tee Operating From 26.5 to 40GHz with Four Rectangular Waveguide Interfaces

### Product Information

SKU	28WMT_Cu
-----	----------

### Description

Waveguide magic tee 28WMT\_Cu, operating from 26.5 to 40GHz with a 0.4dB insertion loss, 40dB isolation, H-Plane VSWR 1.30:1 and E-Plane VSWR 1.50:1. 28WMT\_Cu is a four-ports hybrid coupler or power divider. All the ports have standard WR28 waveguides with the same flanges FBP320(UBR320). The magic tee can be used as a power combiner or a power divider based on the given application's needs.

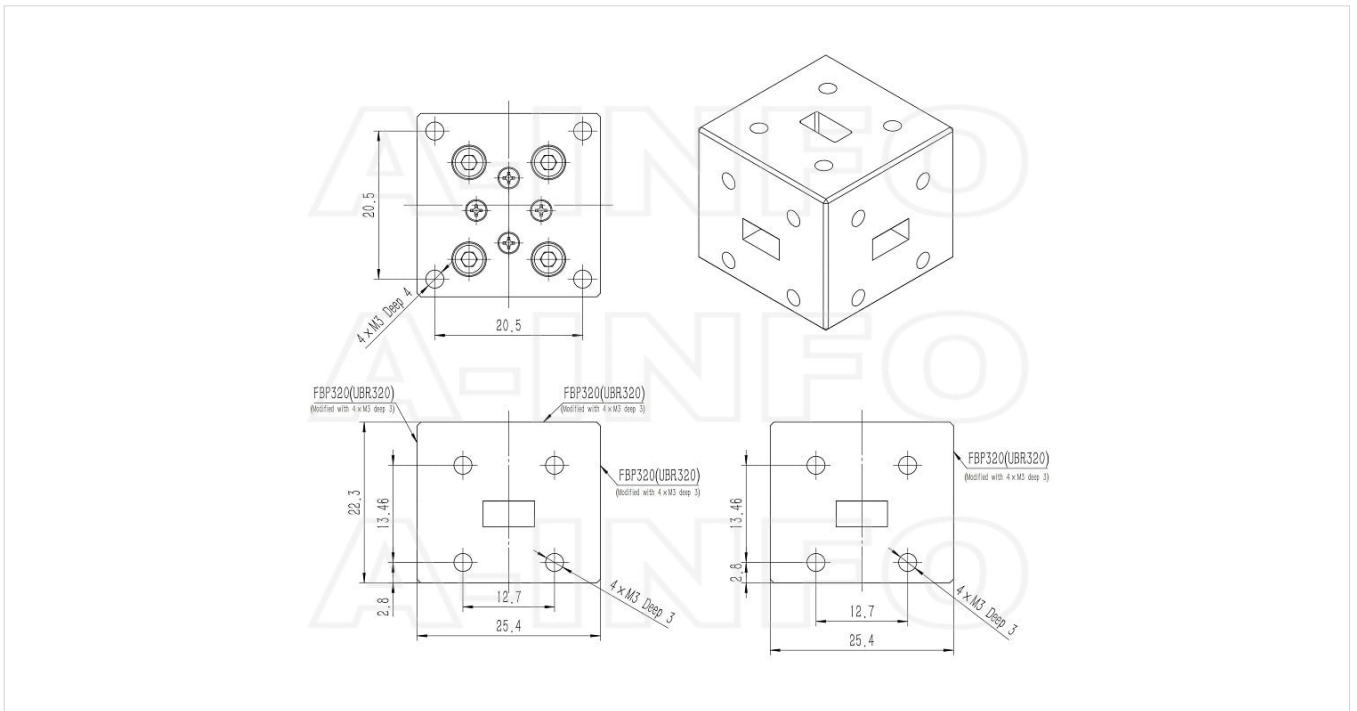
### Technical Specification

Electrical Specification		Interface	
WG Tee Type	Magic Tee	Flange 3 Style	Square
Waveguide Band	Ka	Flange 3 Type	Cover
Waveguide Type	Rectangular	Flange 3 Designation	FBP320(UBR320)
Waveguide Size EIA WR	WR28	Flange 4 Style	Square
Frequency, Min (GHz)	26.5	Flange 4 Type	Cover
Frequency, Max (GHz)	40	Flange 4 Designation	FBP320(UBR320)
I.L., Typ (dB)	0.4	Mechanical Specification	
I.L., Max (dB)	0.6	Body Material	Cu
VSWR, H-Plane, Typ	1.3	Size, L (mm)	25.4
VSWR, H-Plane, Typ	1.30:1	Size, W (mm)	22.3
VSWR, E-Plane, Typ	1.5	Size, H (mm)	22.3
VSWR, E-Plane, Typ	1.50:1	Weight, (kg)	0.11
Isolation, Min (dB)	30	Pressure Sealed	No
Isolation, Typ (dB)	40	Environmental Specification	
Power Handling, CW, (W)	36	Operating Temp. Low (°C)	-55
Power Handling, Peak, (KW)	25	Operating Temp. High (°C)	85
Interface		Storage Temp. Low (°C)	-60
Flange 1 Style	Square	Storage Temp. High (°C)	90
Flange 1 Type	Cover		
Flange 1 Designation	FBP320(UBR320)		
Flange 2 Style	Square		
Flange 2 Type	Cover		
Flange 2 Designation	FBP320(UBR320)		

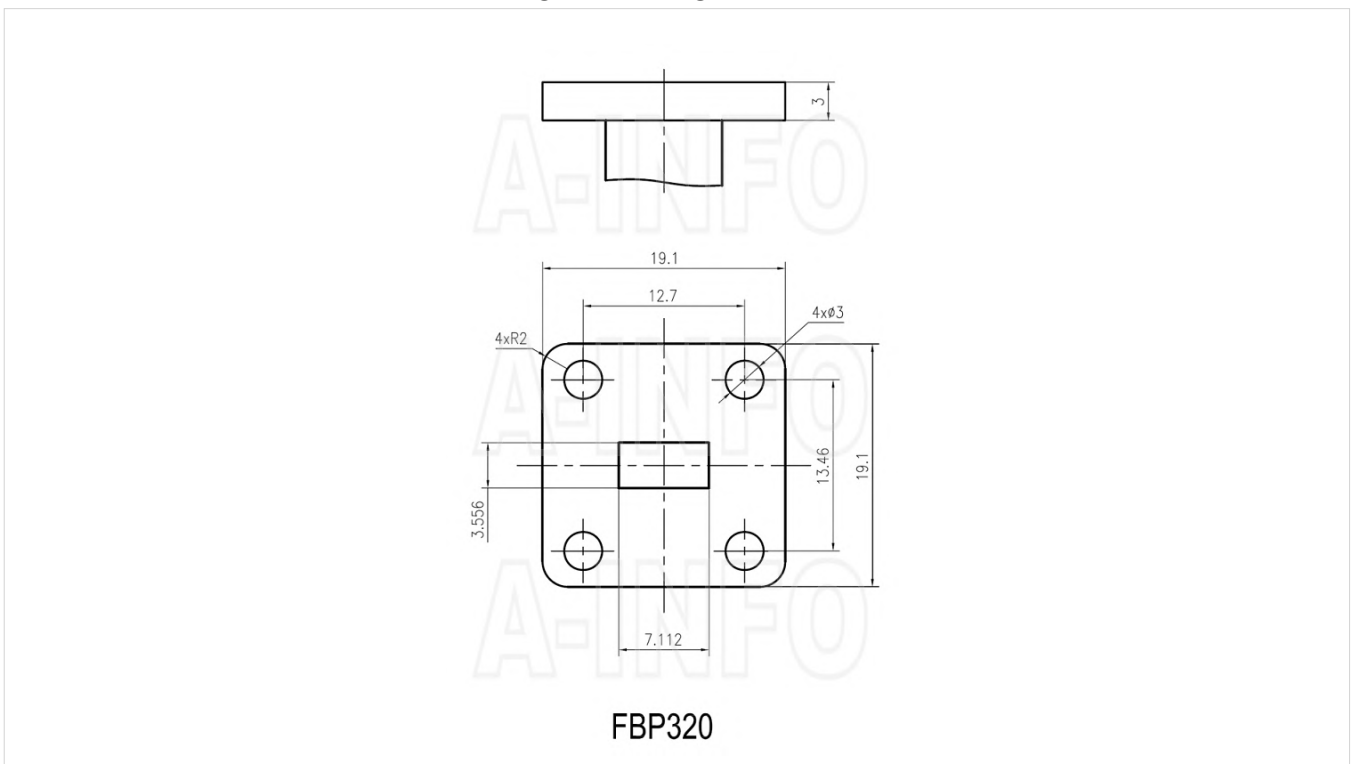
### Additional Information

Application	General Purpose Indoor & Outdoor, Fixed
-------------	---

## Outline Drawing(Size: mm)



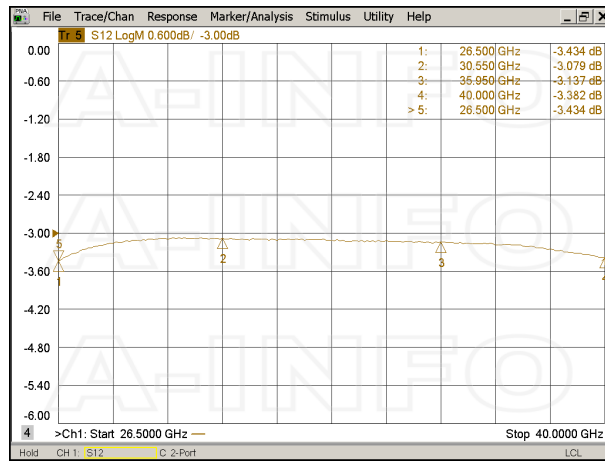
## Flange Drawing(Size: mm)



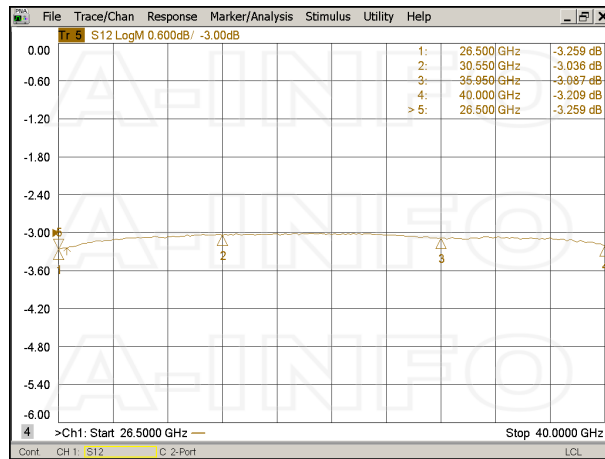
## Typical Test Results

### Insertion Loss(Including the theoretical loss 3.0dB)

E-Plane

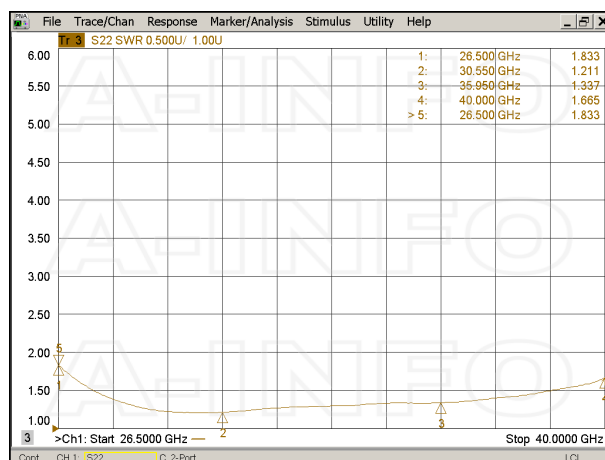


H-Plane

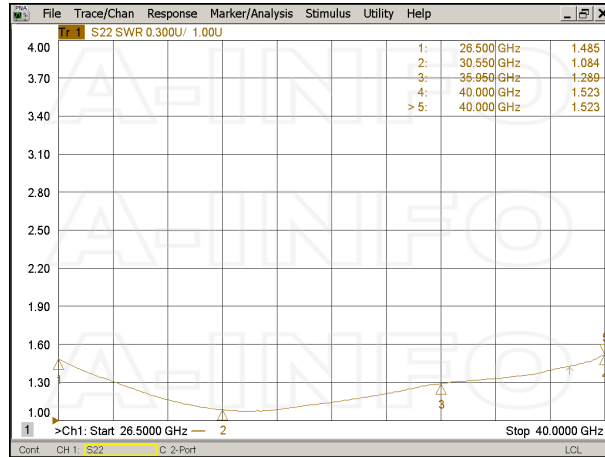


VSWR

E-Plane

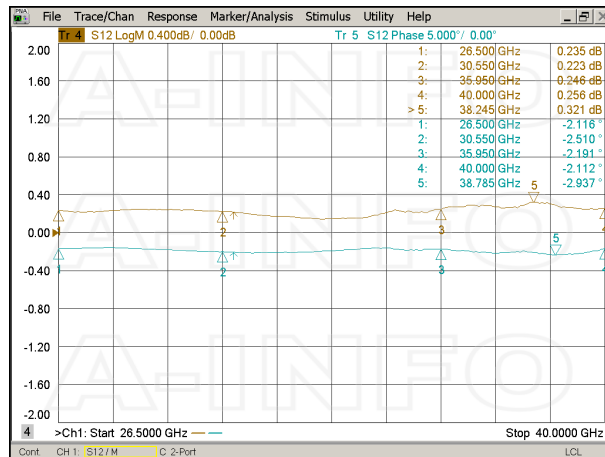


H-Plane

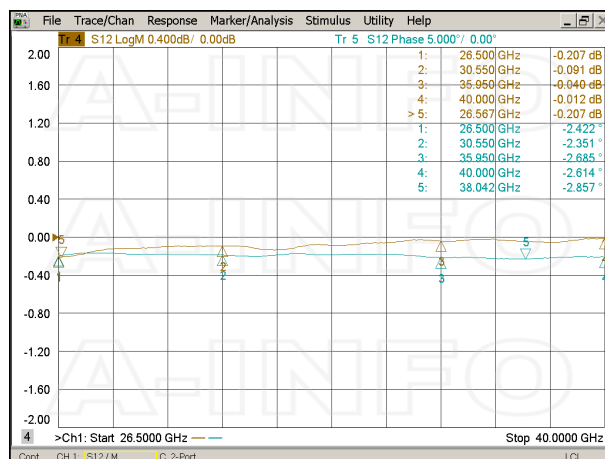


Unbalance

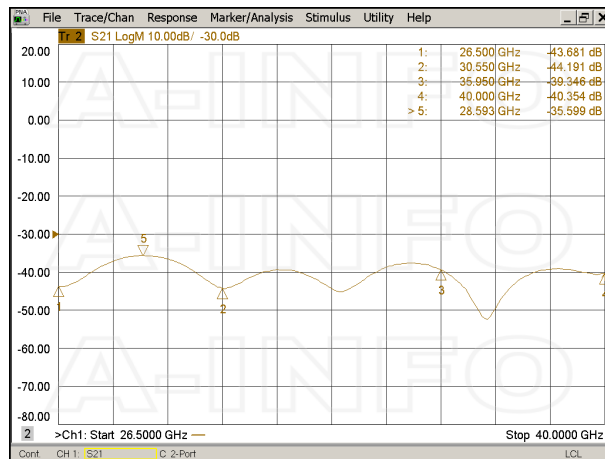
E-Plane



H-Plane



## Isolation



## Similar Products



28WET\_Cu WR28 Waveguide E-Plane Tee 26.5-40GHz with Three Rectangular Waveguide Interfaces



28WHT\_Cu WR28 Waveguide H-Plane Tee 26.5-40GHz with Three Rectangular Waveguide Interfaces



34WET\_Cu WR34 Waveguide E-Plane Tee 22-33GHz with Three Rectangular Waveguide Interfaces



34WHT\_Cu WR34 Waveguide H-Plane Tee 22-33GHz with Three Rectangular Waveguide Interfaces



34WMT\_Cu WR34 Waveguide Magic Tee 22-33GHz with Four Rectangular Waveguide Interfaces



22WET\_Cu WR22 Waveguide E-Plane Tee 33-50GHz with Three Rectangular Waveguide Interfaces



22WMT\_Cu WR22 Waveguide Magic Tee 33-50GHz with Four Rectangular Waveguide Interfaces

## About this Datasheet

<ul style="list-style-type: none"><li>● <b>Product Information</b></li></ul> <p>Product Link: <a href="https://www.ainfoinc.com/28wmt-cu-wr28-waveguide-magic-tee-26-5-40-ghz-fbp320-ubr320">https://www.ainfoinc.com/28wmt-cu-wr28-waveguide-magic-tee-26-5-40-ghz-fbp320-ubr320</a> Data subject to change without notice. © A-INFO INC. 2024. All Rights Reserved</p>	<ul style="list-style-type: none"><li>● <b>Contact Us</b></li></ul> <p>Address: 60 Tesla, Irvine, CA 92618, USA</p> <p>Website: <a href="http://www.ainfoinc.com">www.ainfoinc.com</a></p> <p>Email: <a href="mailto:sales@ainfoinc.com">sales@ainfoinc.com</a></p>	<ul style="list-style-type: none"><li>● <b>Phone &amp; Fax</b></li></ul> <p>Phone: +1-949-639-9688 +1-949-639-9608</p> <p>Fax: +1-949-639-9670</p>
--	---	--