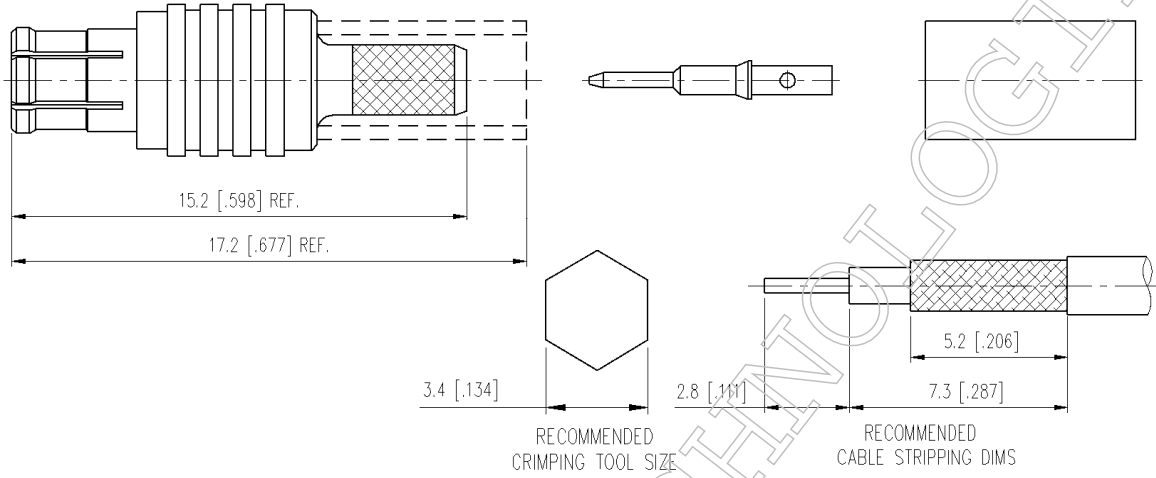




▪ **Outline Dimension Drawing**

Dimensions: mm[inch]



▪ **Material Specification**

Description	Material	Plating
Body	Brass	Nickel
Outer Contact	BeCu	Nickel
Pin	Brass	Gold
Dielectric*2	PTFE	
Ferrule	Brass	Nickel

In the effort to improve our products, we reserve the right to make changes judged to be necessary



▪ **Electrical Specification**

Description		Description	
Impedance	50 Ω	Insulation Resistance	1000 MΩ Min.
Frequency	6 GHz	Inner Contact Resistance	5 mΩ Max.
VSWR	1.3 Max.	Outer Contact Resistance	2.5 mΩ Max.
Insertion Loss	0.15 dB Max.		
Voltage Rating	335 Vrms Max.		
Dielectric Withstanding Voltage	750 Vrms Max.		

▪ **Mechanical Specification**

Description			
Center Contact Retention	N/A	lbs.	Min.
Engagement Force	5.6	lbs.	Max.
Disengagement Force	4.5	lbs.	Max.
Connector Durability	500	matings	min.
Weight	N/A	g	

▪ **Environmental Specification**

Description			
Temperature Min.	-55	°C	
Temperature Max.	155	°C	
Hermetic Seal	N/A		

In the effort to improve our products, we reserve the right to make changes judged to be necessary