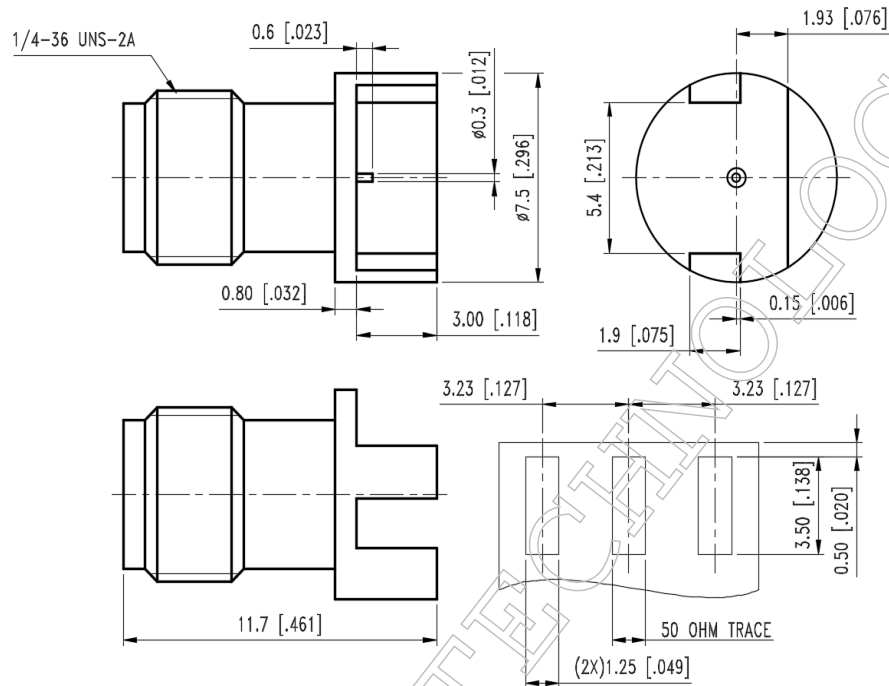


▪ **Outline Dimension Drawing**

Dimensions: mm[inch]



RECOMMENDED PCB LAYOUT

▪ **Material Specification**

| Description | Material | Plating |
|-------------|---------------------------------------|---------|
| Body*2 | Brass | Gold |
| Contact*2 | BeCu | Gold |
| Dielectric | High performance application material | |

In the effort to improve our products, we reserve the right to make changes judged to be necessary



▪ **Electrical Specification**

| Description | | Description | |
|---------------------------------|---------------|--------------------------|--------------|
| Impedance | 50 Ω | Insulation Resistance | 5000 MΩ Min. |
| Frequency | 40 GHz | Inner Contact Resistance | 3 mΩ Max. |
| VSWR | 1.3 Max. | Outer Contact Resistance | 2 mΩ Max. |
| Insertion Loss | 0.2 dB Max. | | |
| Voltage Rating | 170 Vrms Max. | | |
| Dielectric Withstanding Voltage | 330 Vrms Max. | | |

▪ **Mechanical Specification**

| Description | | Description | |
|--------------------------|------------|----------------------|--------------|
| Center Contact | | Recommended Torque | 7~9 in. lbs |
| Axial Force-Mating End | 6 lbs. | Coupling Test Torque | 15.0 in. lbs |
| Axial Force-Opposite End | 6 lbs. | | |
| Connector Durability | 500 cycles | | |
| Weight | N/A g | | |

▪ **Environmental Specification**

| Description | |
|------------------|--------|
| Temperature Min. | -65 °C |
| Temperature Max. | 165 °C |
| Hermetic Seal | N/A |

In the effort to improve our products, we reserve the right to make changes judged to be necessary