

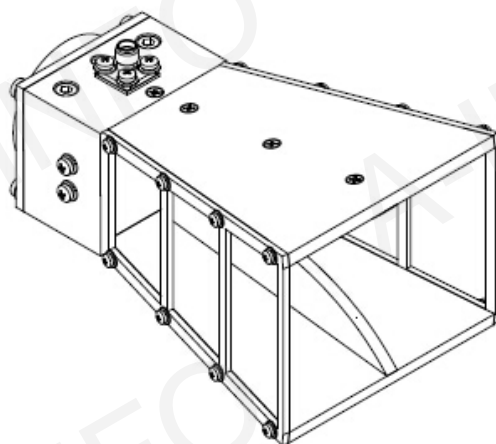
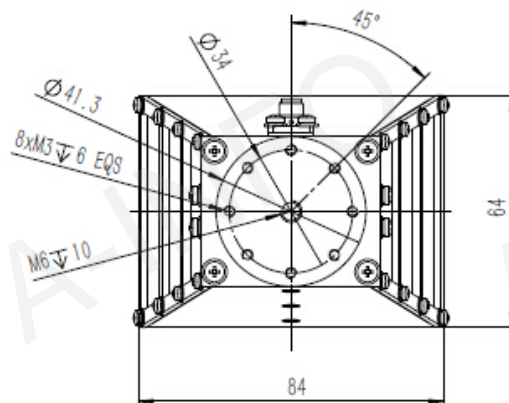
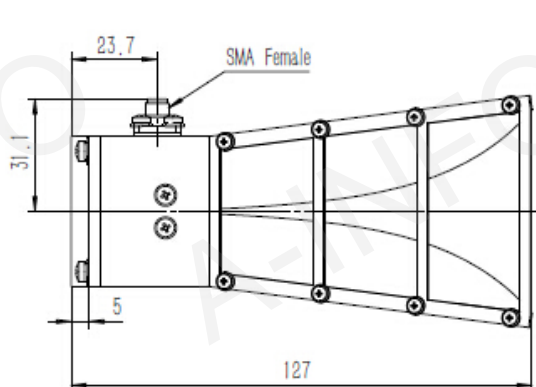
## Technical Specification



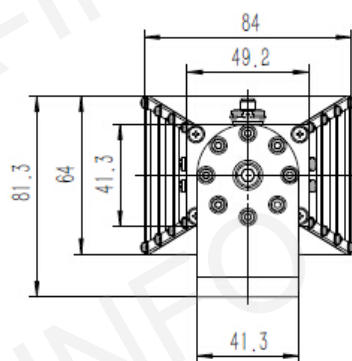
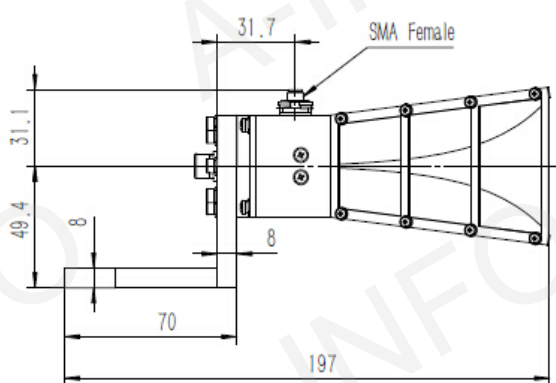
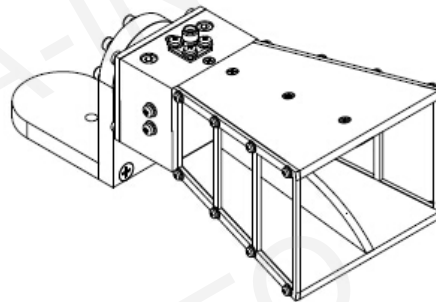
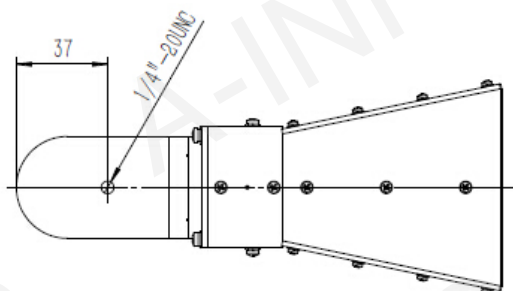
Frequency Range(GHz)	2.0 - 24.5
Gain(dB)	13 Typ.
Polarization	Linear
VSWR	1.5:1 Typ.
	3.0:1 Max.
Connector	SMA-Female
Power Handling(W)	50 Max. CW
Size(mm)	84 x 64 x 127
Net Weight(Kg)	0.35 Around

## Outline Drawing (Size: mm)

SMA-Female Output

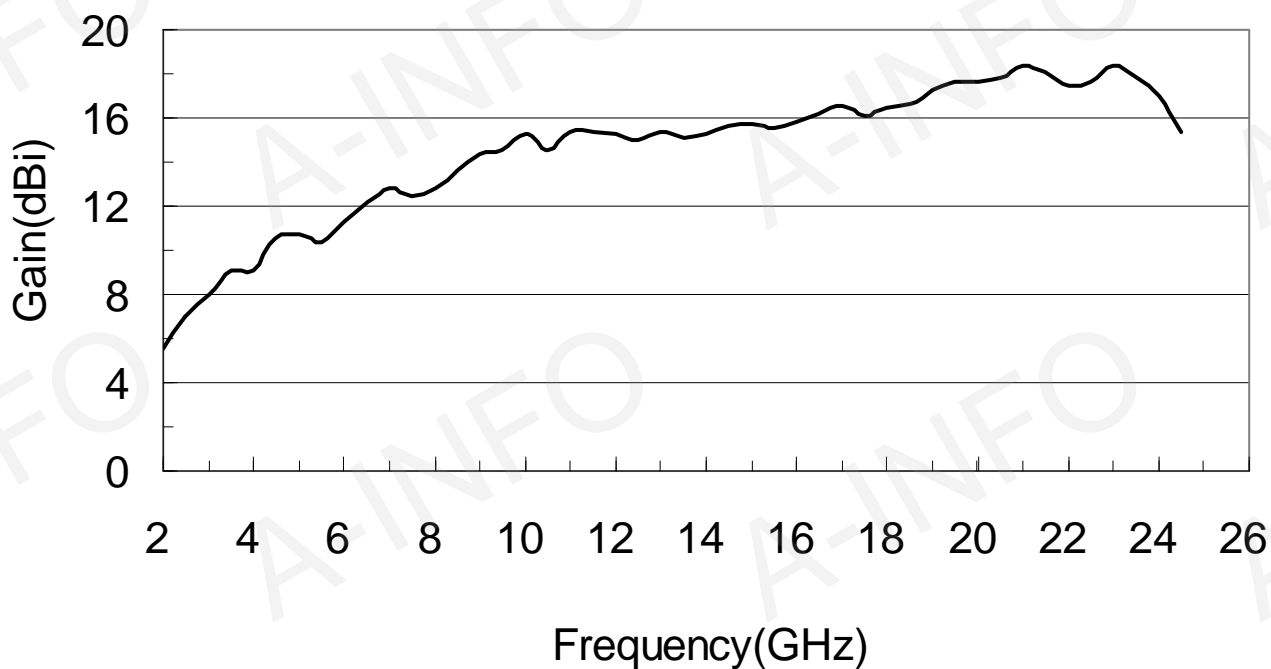


SMA-Female Output with L type mounting bracket

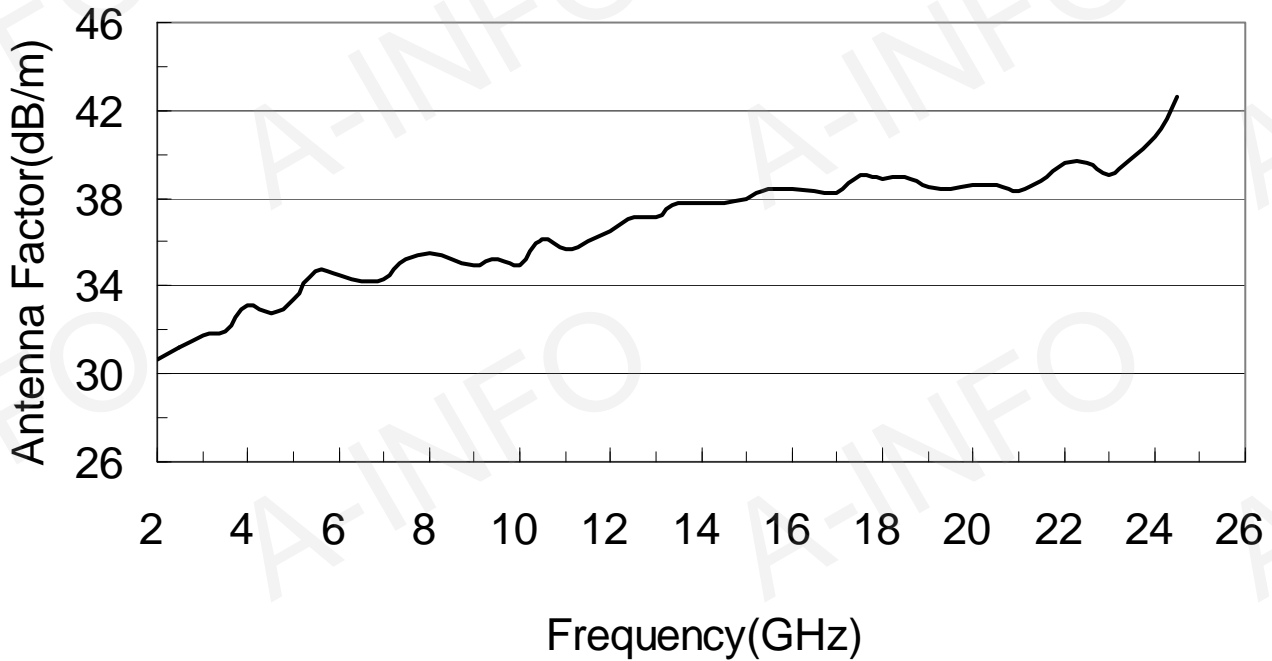


## Test Results

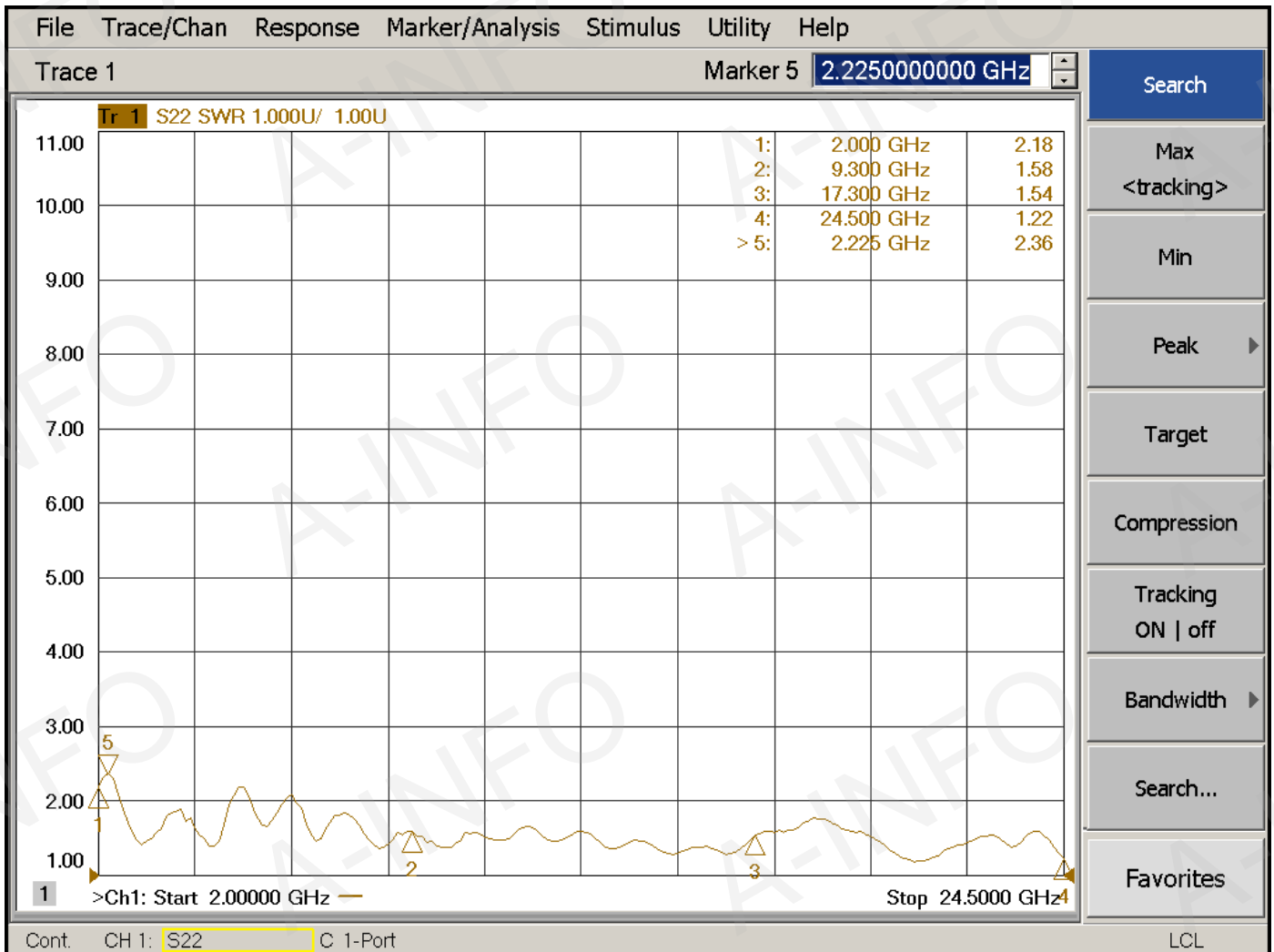
### 1. Gain



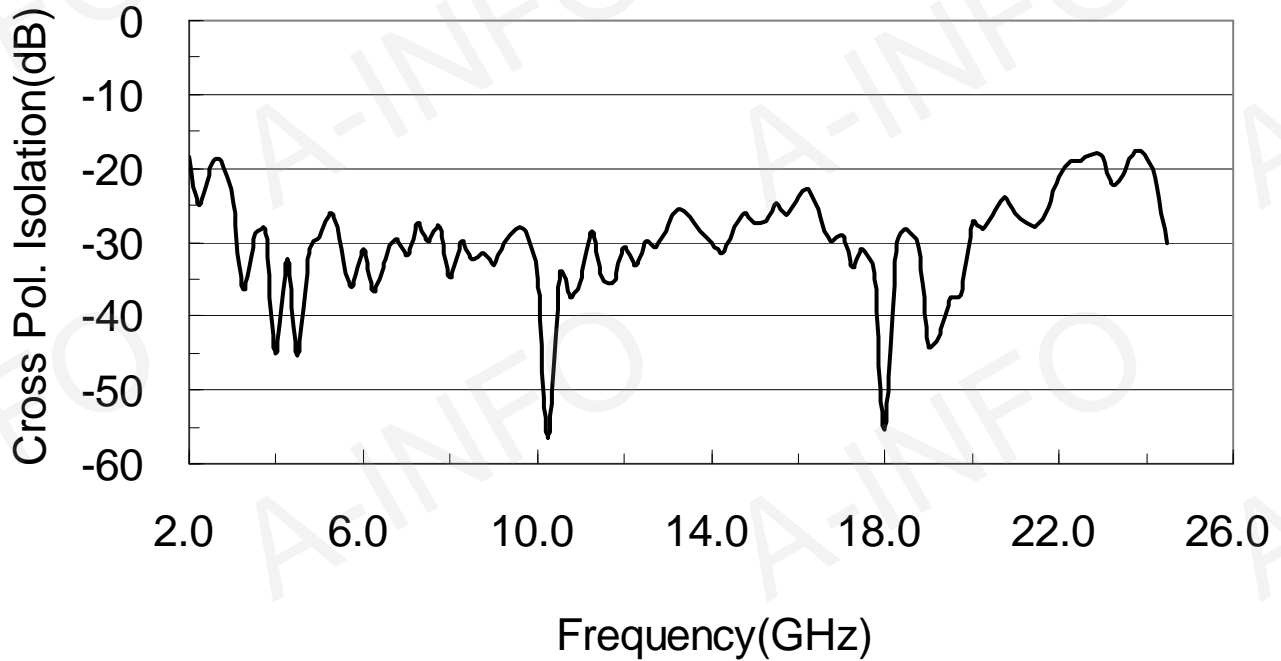
## 2. Antenna Factor



## 3. VSWR



## 4. Cross Pol. Isolation



## 5. Pattern

