

770WPL WR770 Waveguide Precision Load 0.96-1.45GHz with Rectangular Waveguide Interface

WR770 Waveguide Precision Load Operating From 0.96 to 1.45GHz with Rectangular Waveguide Interface



### Product Information

SKU	770WPL
-----	--------

### Description

Waveguide precision load 770WPL, operating from 0.96 to 1.45GHz and low VSWR 1.05:1. 770WPL covers the 770WPL sub waveguide band and comes with one flange FDP12(UDR12). It can handle 25 continuously and 25 peak power. A-INFO Precision Flange(APF) is available for this series. The WPL series low power waveguide fixed terminations are precision, low VSWR terminations suited to a wide variety of precision laboratory applications. The typical applications include full band one-Interface calibration and full two-Interface, isolation calibration. TRM (Thru-Reflect-Match) and SSLT (Short-Short-Load- Thru) calibration methods are supInterfaceed.

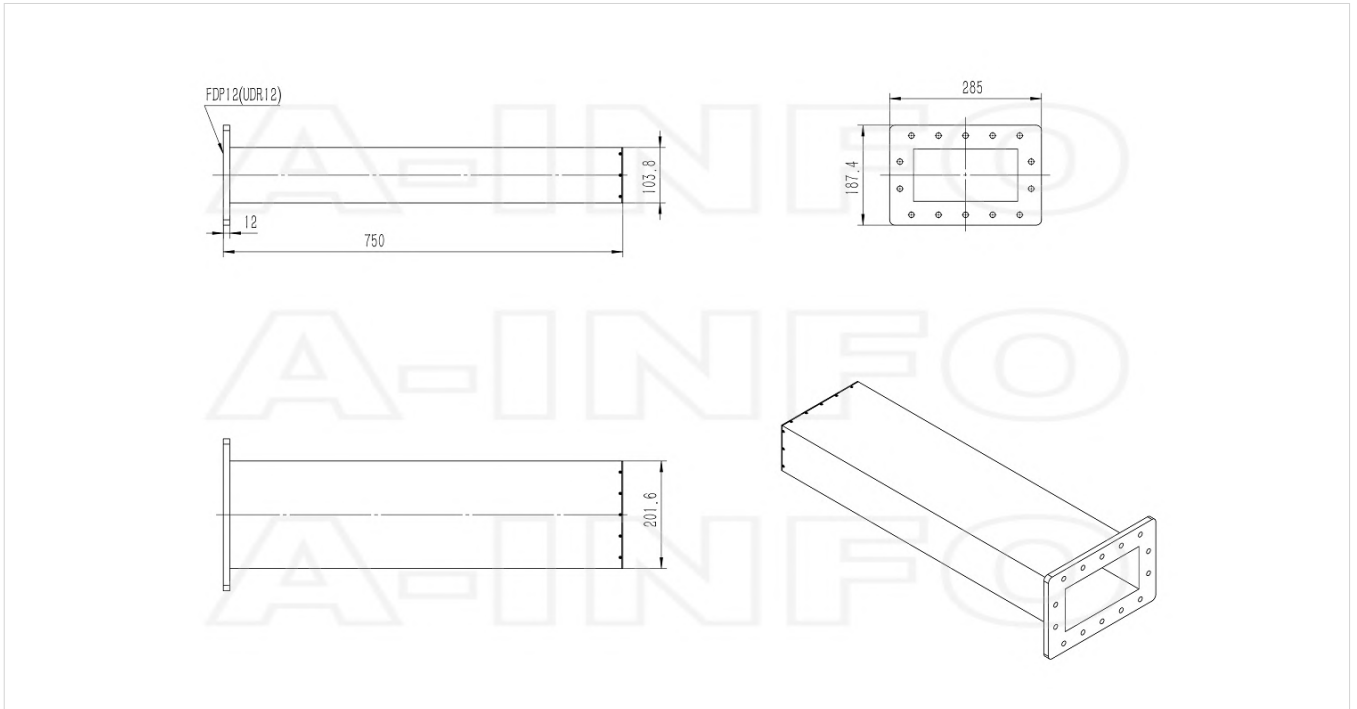
### Technical Specification

Electrical Specification		Mechanical Specification	
WG Load Type	Precision	Body Material	Al
Waveguide Band	L	Finish	Chemical Conversion Coating, Gray Paint
Waveguide Type	Rectangular	Size, L (mm)	750
Waveguide Size EIA WR	WR770	Size, W (mm)	285
Frequency, Min (GHz)	0.96	Size, H (mm)	187.4
Frequency, Max (GHz)	1.45	Weight, (kg)	5.27
VSWR, Typ	1.04:1	Pressure Sealed	No
VSWR, Max	1.05:1	<b>Environmental Specification</b>	
Power Handling, CW, (W)	25	Operating Temp. Low (°C)	-55
Power Handling, Peak, (KW)	25	Operating Temp. High (°C)	85
<b>Interface</b>		Storage Temp. Low (°C)	-60
Flange Style	Rectangular	Storage Temp. High (°C)	90
Flange Type	Cover		
Flange Designation	FDP12(UDR12)		

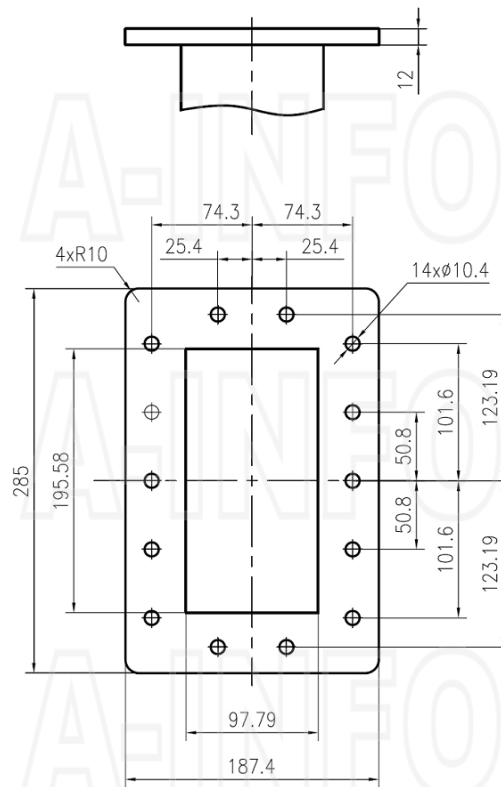
## Additional Information

Application	General Purpose Indoor & Outdoor, Fixed
-------------	---

## Outline Drawing



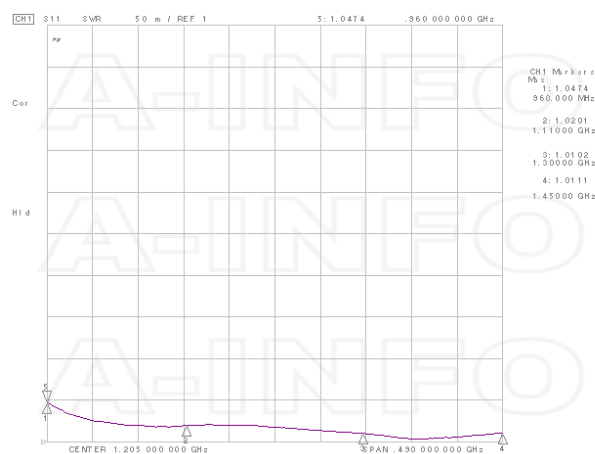
## Flange Drawing



FDP12

## Typical Test Results

### VSWR



## Related Products



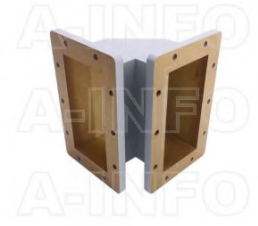
770WCAN Right Angle Rectangular Waveguide to Coaxial Adapter 0.96-1.45GHz WR770 to N Type Female



770WCAS Right Angle Rectangular Waveguide to Coaxial Adapter 0.96-1.45GHz WR770 to SMA Female



770WAL-500 WR770 Rectangular Straight Waveguide 0.96-1.45GHz with Two Rectangular Waveguide Interfaces



770WTEB-100-100 WR770 Miter Bend Waveguide E-Plane 0.96-1.45GHz with Two Rectangular Waveguide Interfaces



770WTHB-200-200 WR770 Miter Bend Waveguide H-Plane 0.96-1.45GHz with Two Rectangular Waveguide Interfaces

## Similar Products



770WLPL WR770 Waveguide Low Power Load 0.96-1.45GHz with Rectangular Waveguide Interface

### About this Datasheet

<ul style="list-style-type: none"><li>● <b>Product Information</b></li></ul> <p>Product Link: <a href="https://www.ainfoinc.com/770wpl-wr770-waveguide-precision-load-0-96-1-45-ghz-fdp12-udr12">https://www.ainfoinc.com/770wpl-wr770-waveguide-precision-load-0-96-1-45-ghz-fdp12-udr12</a> Data subject to change without notice. © A-INFO INC. 2024. All Rights Reserved</p>	<ul style="list-style-type: none"><li>● <b>Contact Us</b></li></ul> <p>Address: 60 Tesla, Irvine, CA 92618, USA</p> <p>Website: <a href="http://www.ainfoinc.com">www.ainfoinc.com</a></p> <p>Email: <a href="mailto:sales@ainfoinc.com">sales@ainfoinc.com</a></p>	<ul style="list-style-type: none"><li>● <b>Phone &amp; Fax</b></li></ul> <p>Phone: +1-949-639-9688 +1-949-639-9608</p> <p>Fax: +1-949-639-9670</p>
--	---	--