

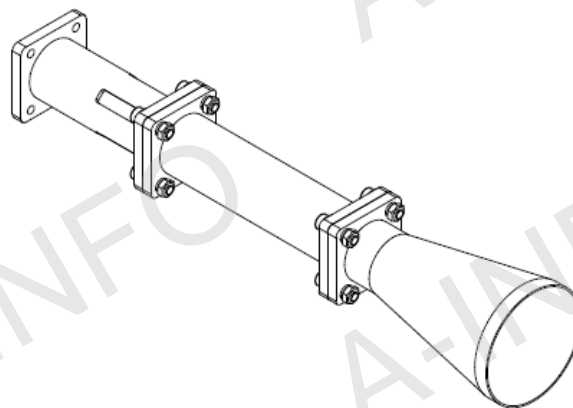
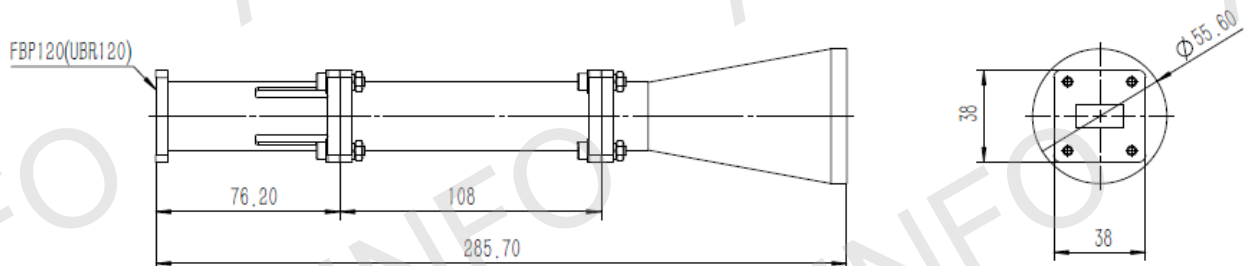
## Technical Specification



Frequency Range(GHz)	11.0 - 14.0
Waveguide	WR75
Gain(dB)	15 Typ.
Polarization	RHCP
Axial Ratio(dB)	2 Max.
3dB Beamwidth(deg)	E Plane: 27 Typ.
	H Plane: 32 Typ.
VSWR	A Type: 1.25 Max.
	C Type: 1.5 Max.
Output	A Type: FBP120(UBR120)
	C Type: SMA-Female or N-Female
Material	Al
Size(mm)	A Type: $\Phi 55.6 \times 285.7$
	C Type: $\Phi 55.6 \times 315.7$
Net Weight(Kg)	A Type: 0.30 Around
	C Type: 0.34 Around

## Outline Drawing (Size: mm)

A Type(With FBP120 Output)



AINFO Inc.

Page 1 of 6

China(Beijing):  
China(Chengdu):  
USA :

Tel: (+86) 10-6266-7326,  
Tel: (+86) 28-8519-2786,  
Tel: (+1) 949-639-9688,

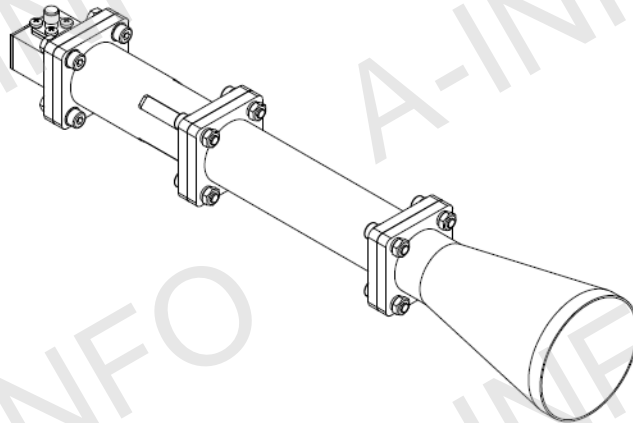
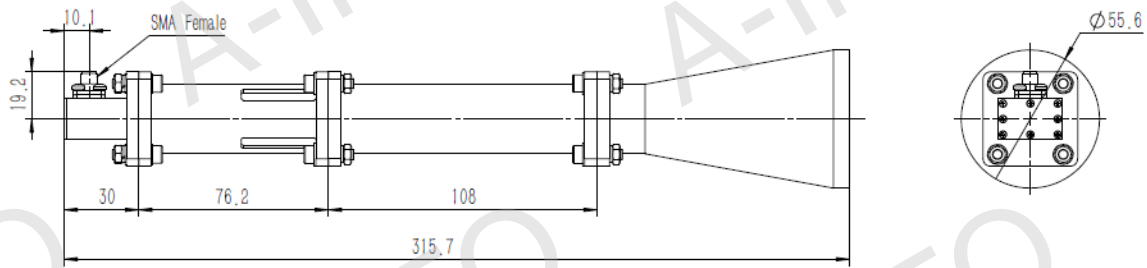
(+86) 10-6266-7327  
(+86) 28-8519-3044  
(+1) 949-639-9608

Fax: (+86) 10-6266-7379  
Fax: (+86) 28-8519-3068  
Fax: (+1) 949-639-9670

Website: [www.ainfoinc.com](http://www.ainfoinc.com)  
Email: [sales@ainfoinc.com](mailto:sales@ainfoinc.com)

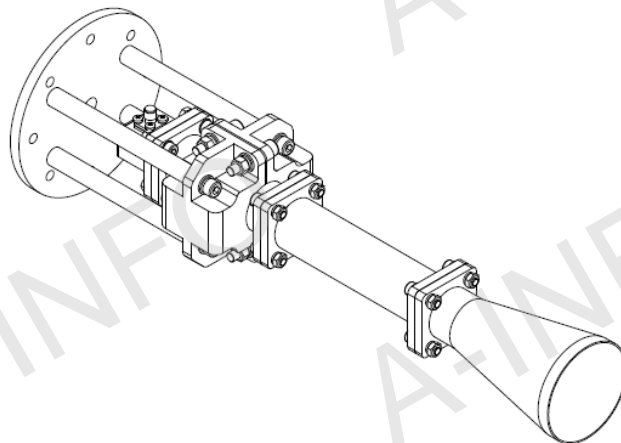
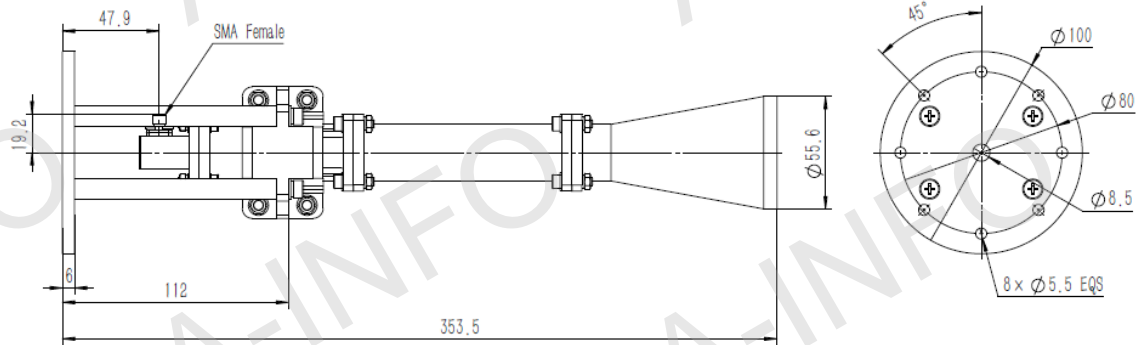
## C Type (With SMA-Female Output)

For N-Female output outline drawing, please contact A-INFO.

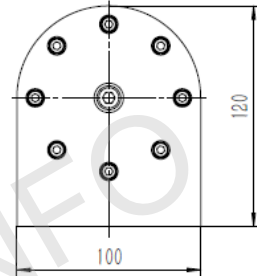
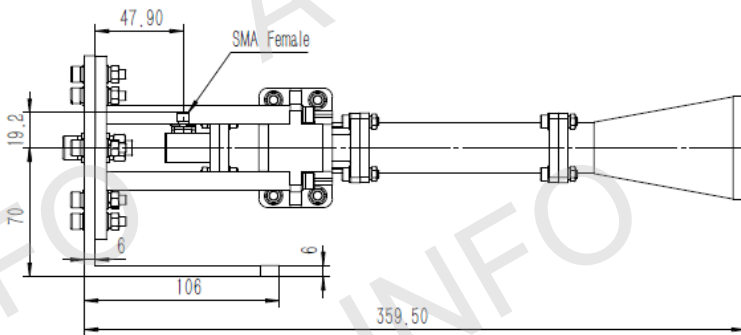
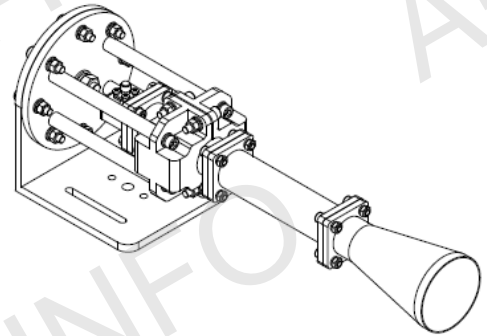
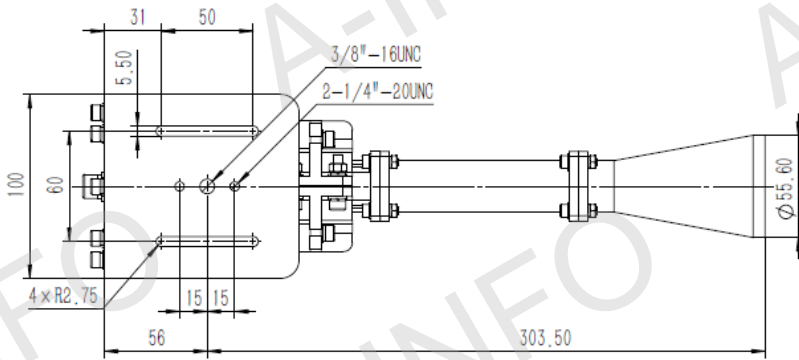


## C Type (With SMA-Female Output & Round Mounting Bracket)

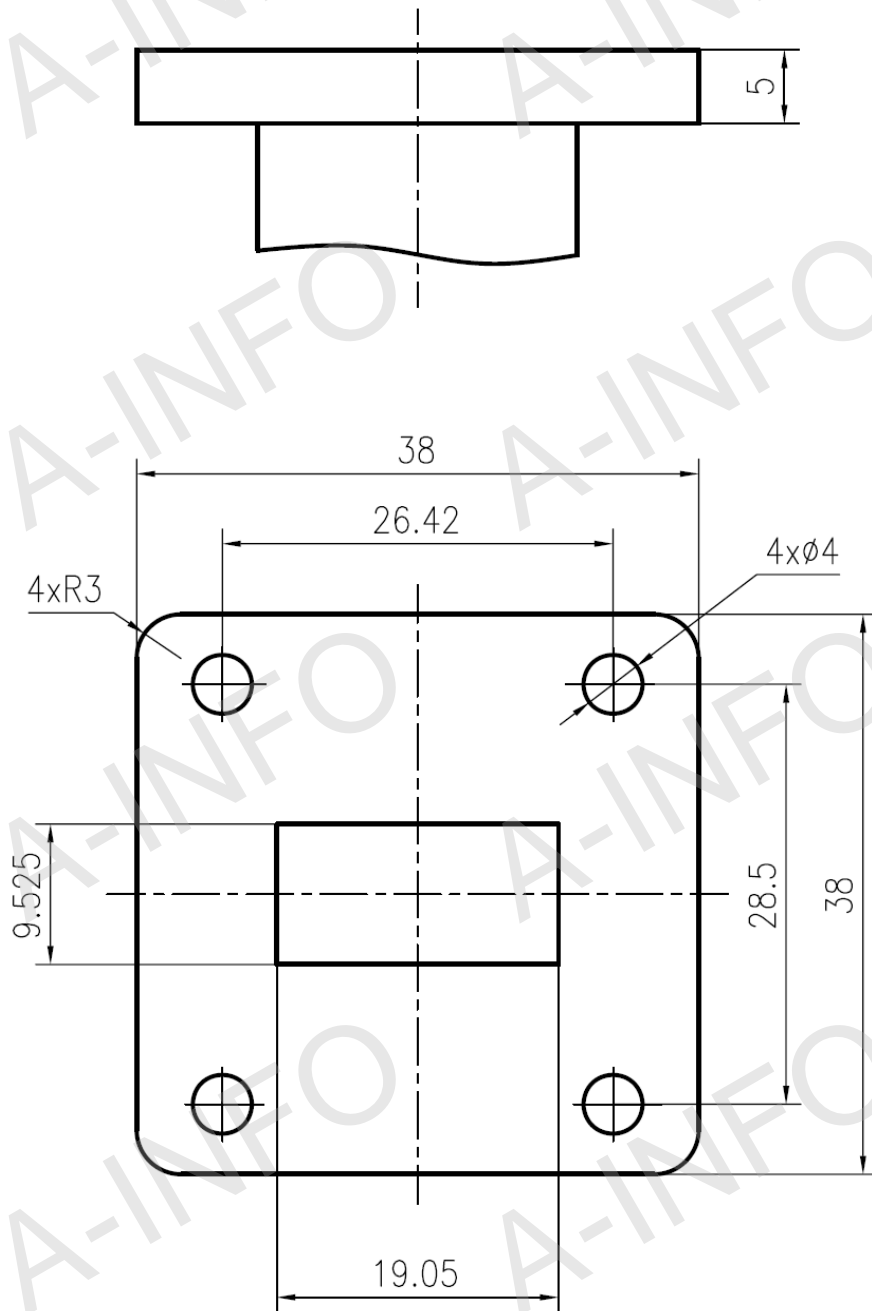
For N-Female output outline drawing, please contact A-INFO.



C Type (With SMA-Female Output & L Type Mounting Bracket)  
For N-Female output outline drawing, please contact A-INFO.



## Flange Drawing (Size: mm)



## FBP120

AINFO Inc.

Page 4 of 6

China(Beijing):  
China(Chengdu):  
USA :

Tel: (+86) 10-6266-7326,  
Tel: (+86) 28-8519-2786,  
Tel: (+1) 949-639-9688,

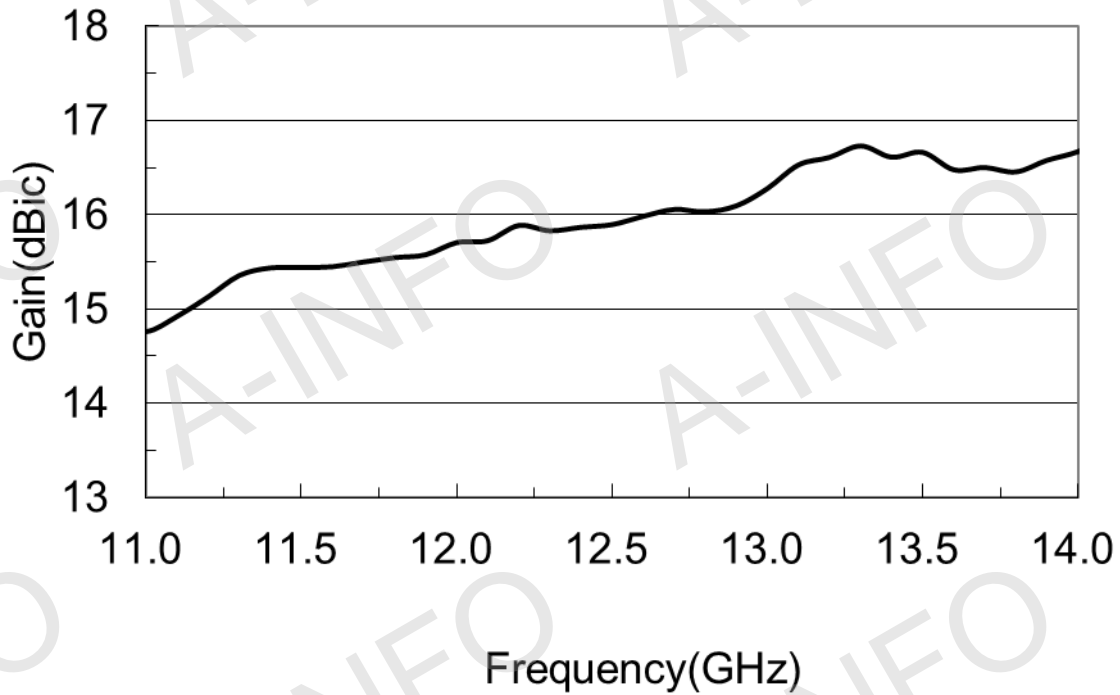
(+86) 10-6266-7327  
(+86) 28-8519-3044  
(+1) 949-639-9608

Fax: (+86) 10-6266-7379  
Fax: (+86) 28-8519-3068  
Fax: (+1) 949-639-9670

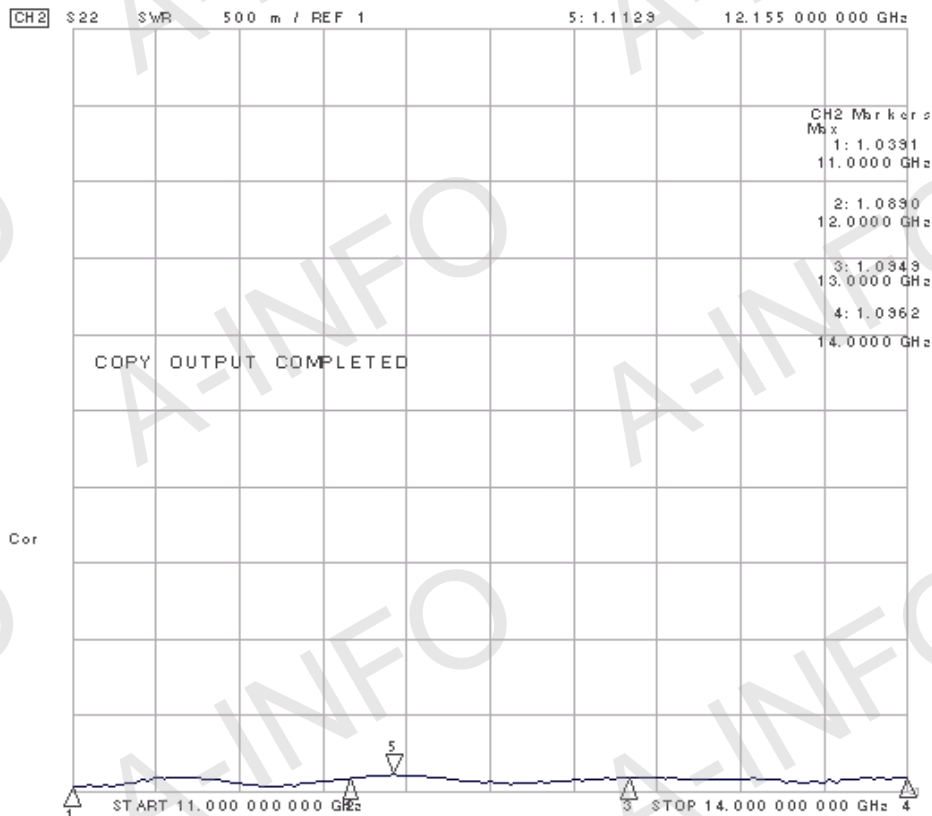
Website: [www.ainfoinc.com](http://www.ainfoinc.com)  
Email: [sales@ainfoinc.com](mailto:sales@ainfoinc.com)

## Test Results

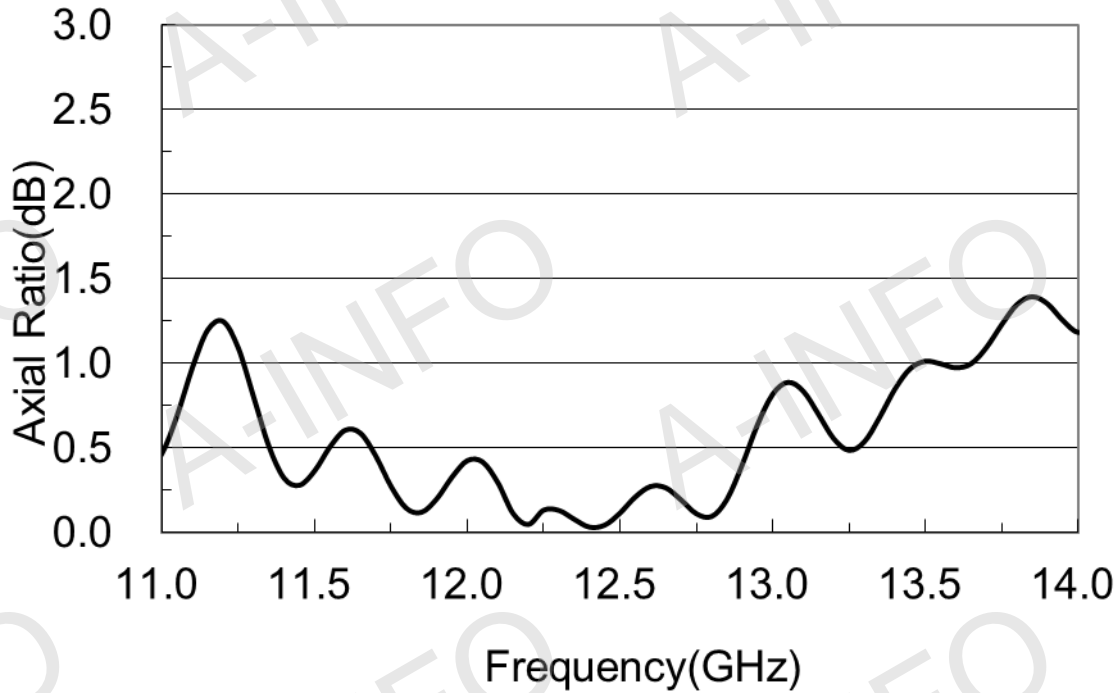
### 1. Gain



### 2. VSWR



### 3. Axial Ratio



### 4. Pattern

