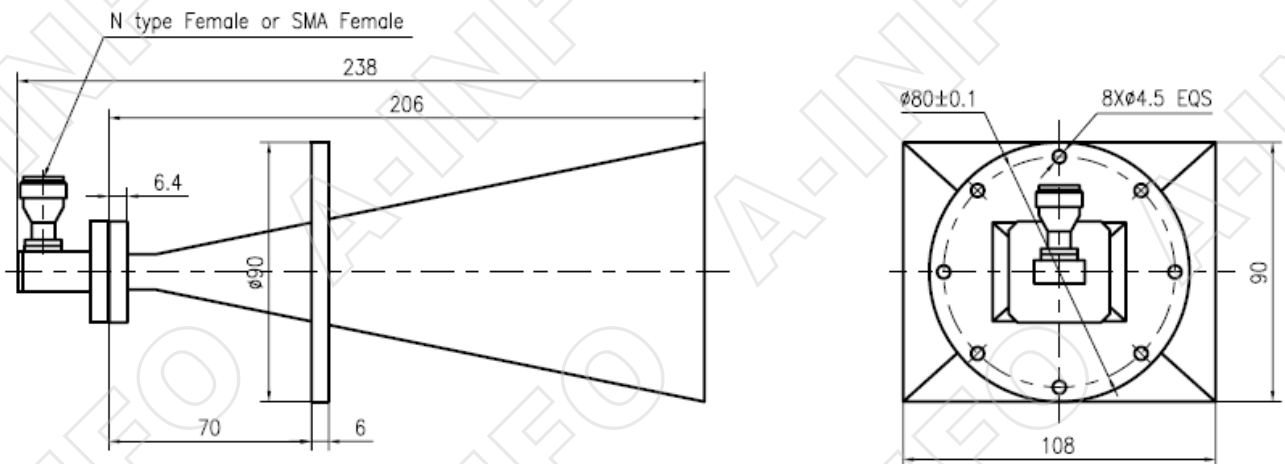


Technical Specification



Frequency Range(GHz)	7.5 - 18
Gain(dB)	20 Typ.
Polarization	Linear
VSWR	2.0 Max
Cross Polarization Isolation(dB)	30 Typ.
Waveguide(A Type)	WRD750D24
Adapter(C Type)	750DRWCAS or 750DRWCAN
Connector(C Type)	SMA-F or N-F
Size(mm)	108x90x238(Including Adapter)
Net Weight(Kg)	0.5 Around(Including Adapter)

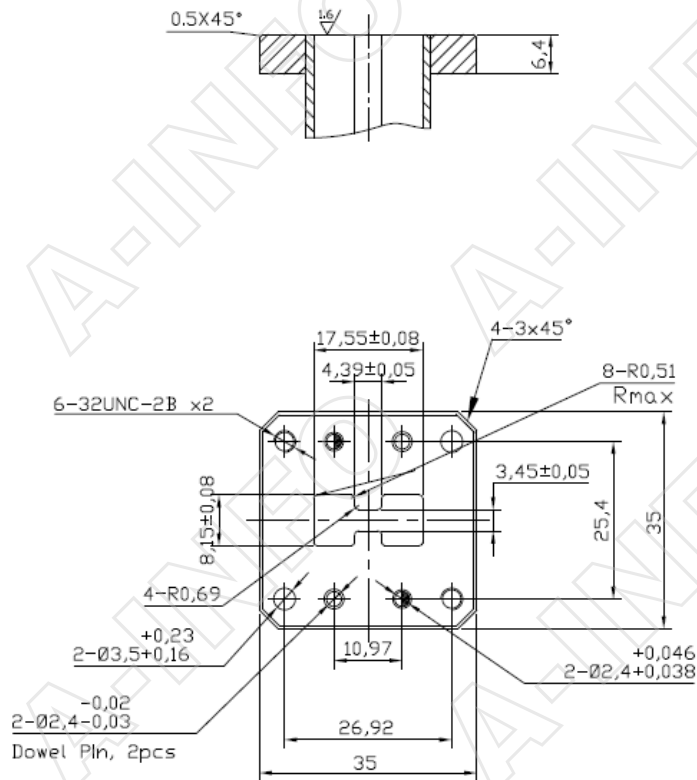
Outline Drawing (Size: mm)



Flange Drawing (Size: mm)

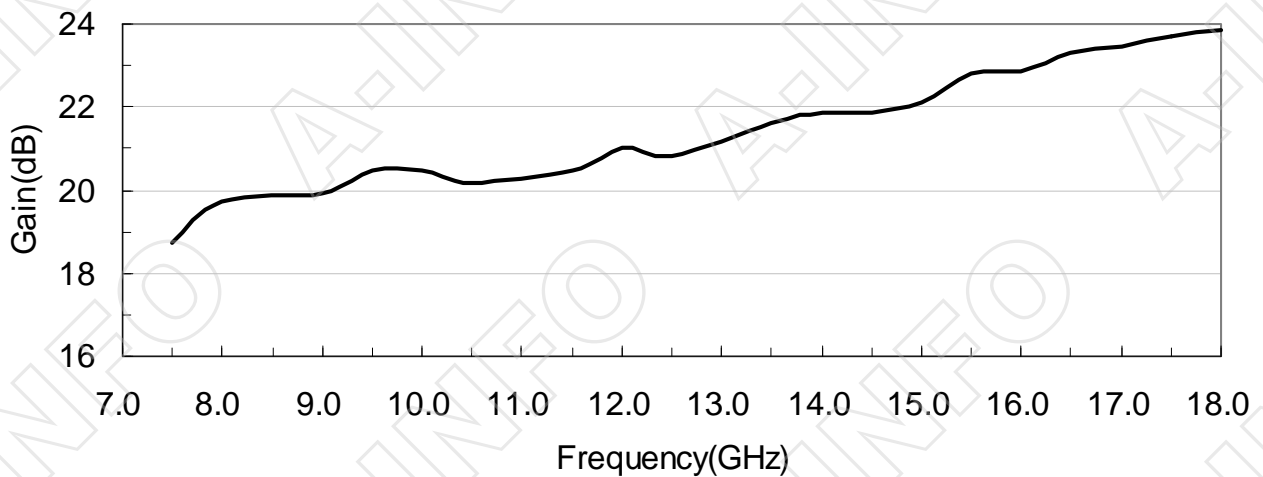
FPWRD750D24

(With two through mounting holes and two screws holes)

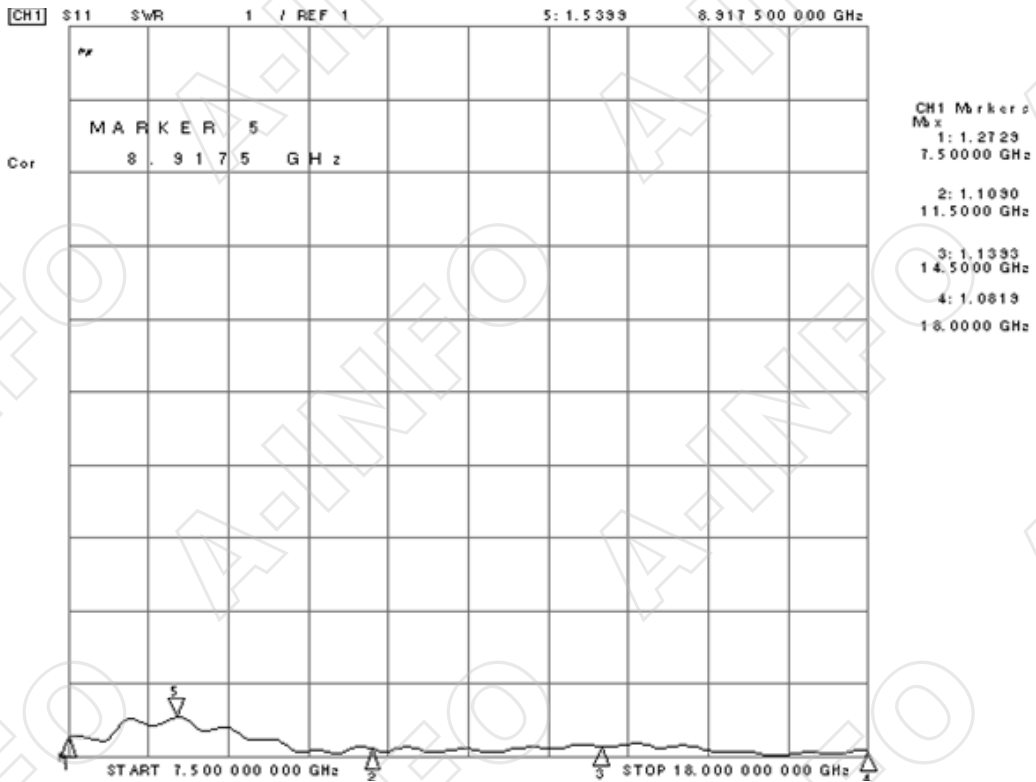


Test Results

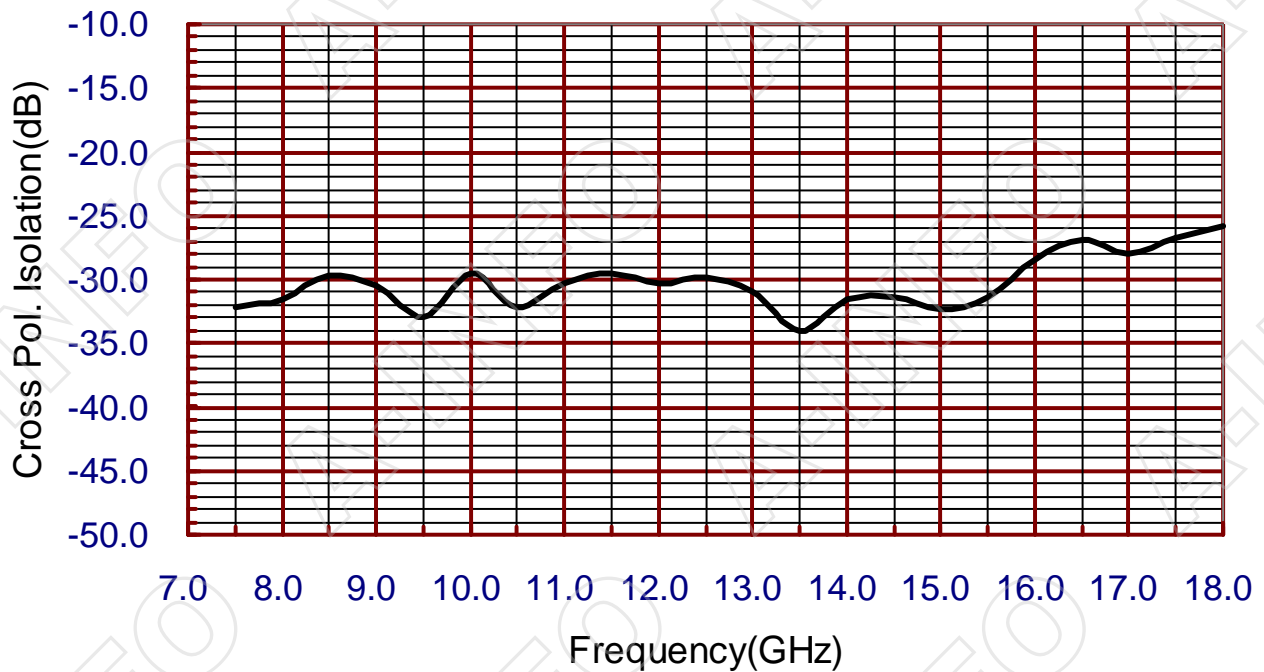
1. Gain



2. VSWR

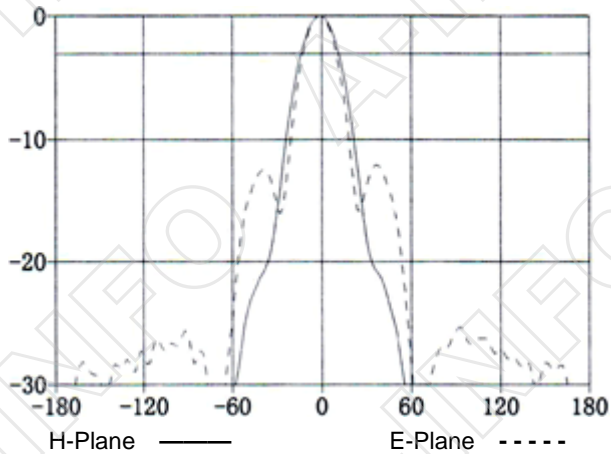


3. Cross Polarization Isolation



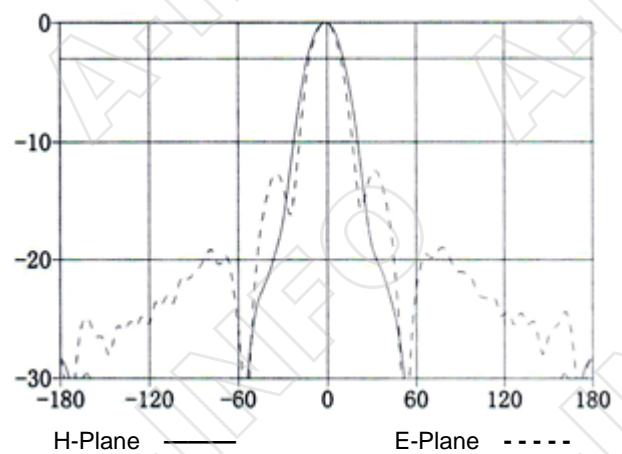
4. Pattern

7.5GHz



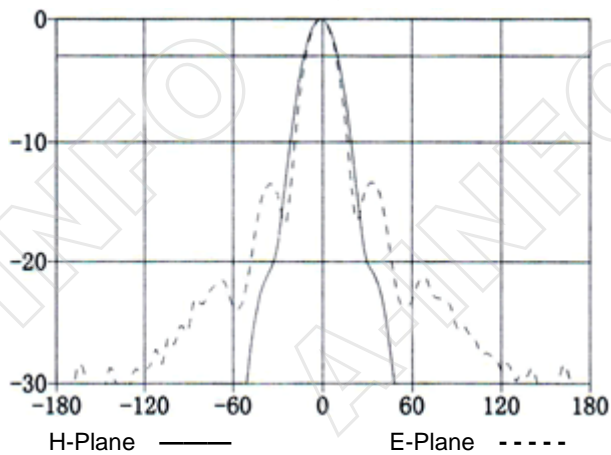
3dB Beamwidth (deg): 25.28 3dB Beamwidth (deg): 22.31

8.0GHz



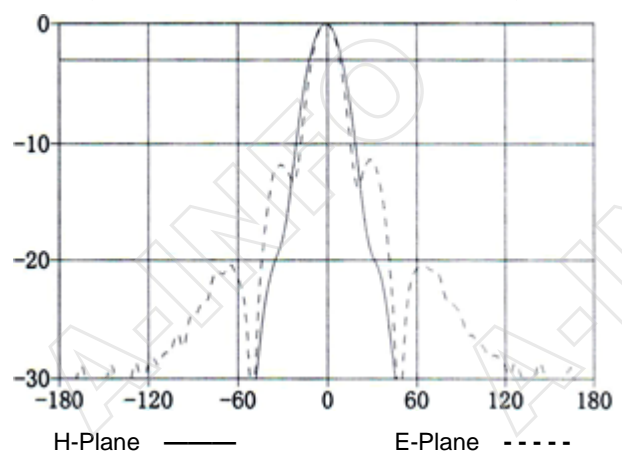
3dB Beamwidth (deg): 24.06 3dB Beamwidth (deg): 20.80

8.5GHz



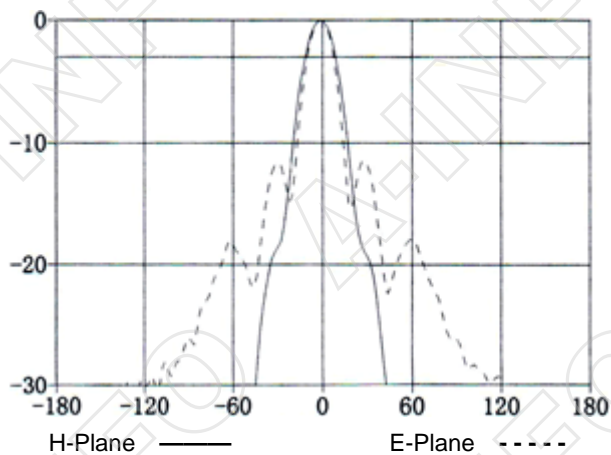
3dB Beamwidth (deg): 22.51 3dB Beamwidth (deg): 20.17

9.0GHz



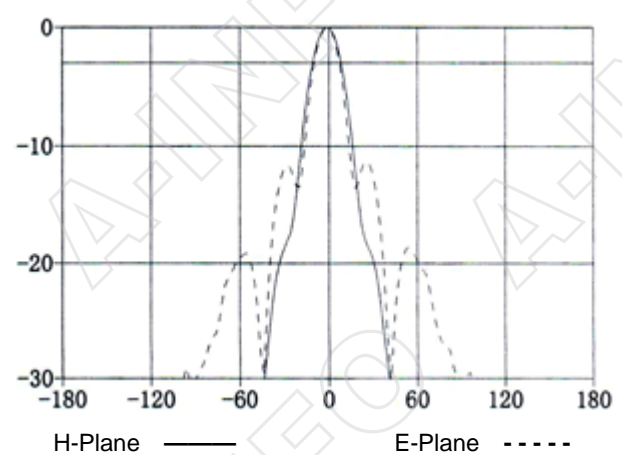
3dB Beamwidth (deg): 21.80 3dB Beamwidth (deg): 18.80

9.5GHz



3dB Beamwidth (deg): 20.06 3dB Beamwidth (deg): 17.79

10.0GHz



3dB Beamwidth (deg): 19.11 3dB Beamwidth (deg): 17.08

