

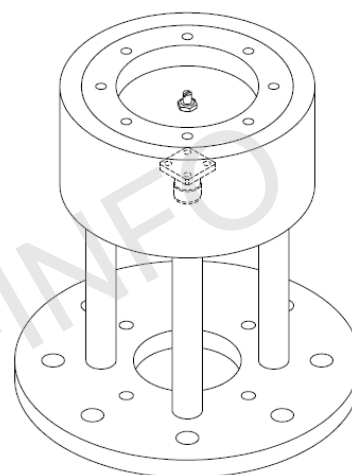
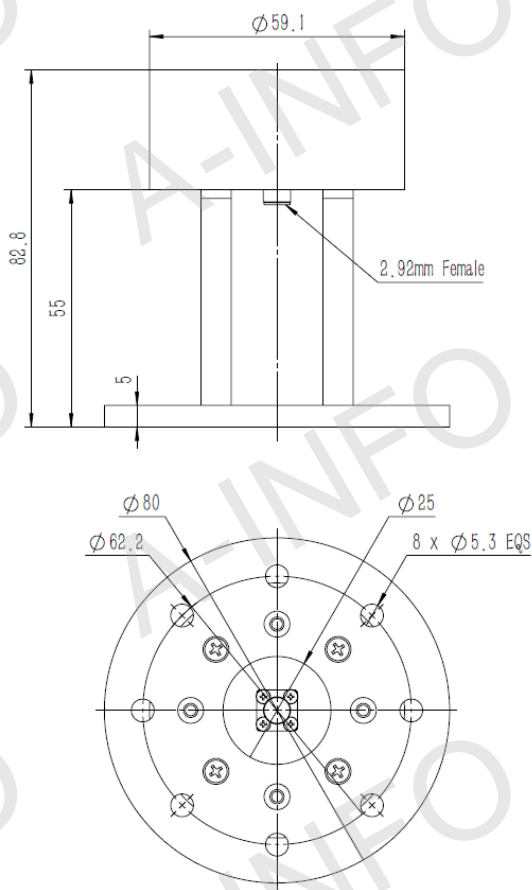
## Technical Specification



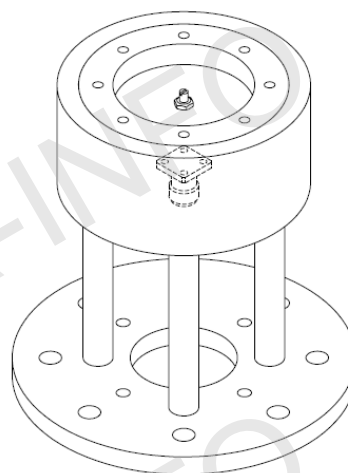
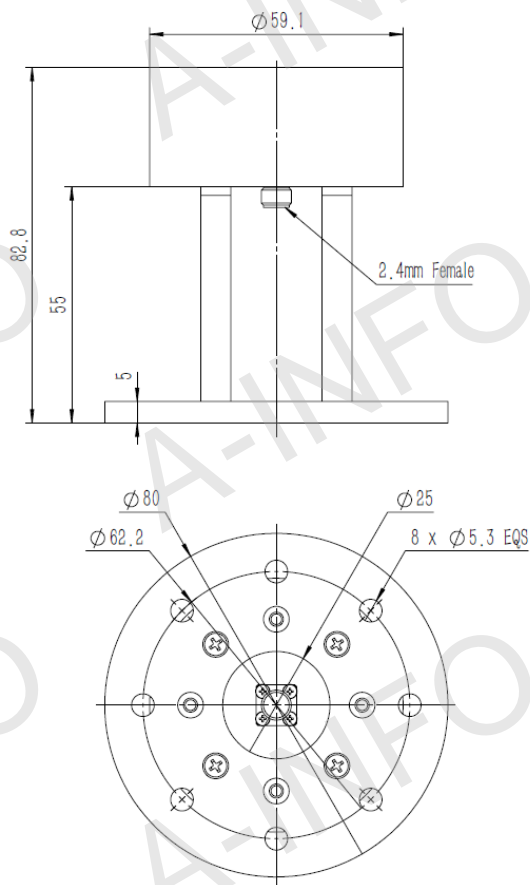
Frequency Range(GHz)	4.0 - 40.0
Gain(dBi)	3.0 Typ.
Polarization	Vertical
VSWR	2.0:1 Typ.
Connector	2.92mm(K)-Female or 2.4mm-Female
Power (W)	30 CW
Material	Al
Size(mm)	(Φ)80 x (H)82.8
Net Weight(Kg)	0.2 Around

## Outline Drawing (Size: mm)

With 2.92mm-Female output & Round Mounting Bracket

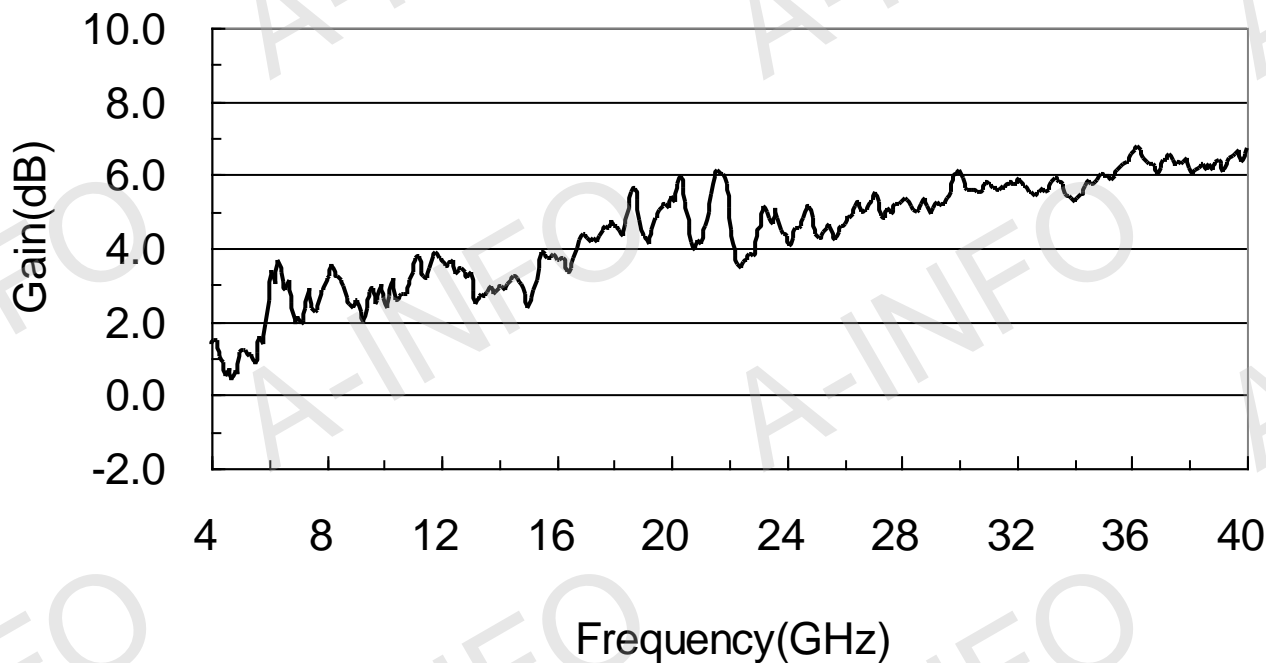


With 2.4mm-Female output & Round Mounting Bracket

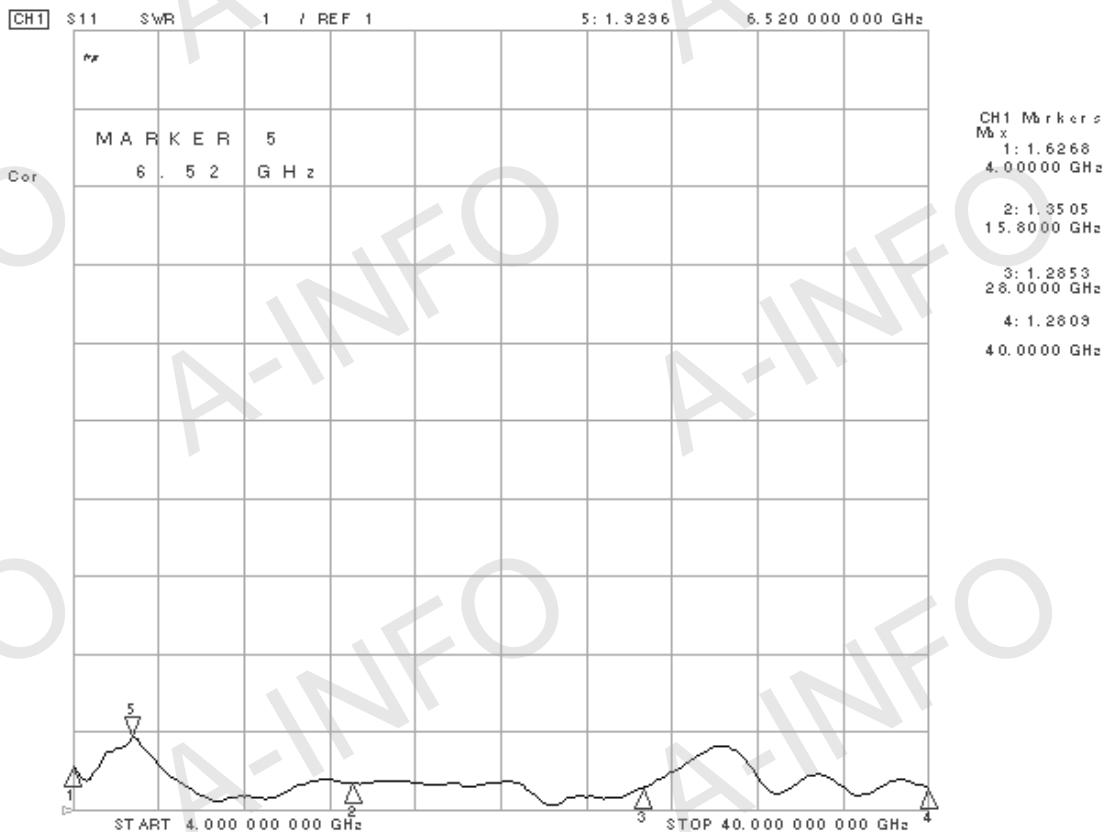


## Test Results

### 1. Gain



### 2. VSWR



### 3. Pattern

