

430WPL WR430 Waveguide Precision Load 1.7-2.6GHz with Rectangular Waveguide Interface



WR430 Waveguide Precision Load Operating From 1.7 to 2.6GHz with Rectangular Waveguide Interface

### Product Information

SKU	430WPL
-----	--------

### Description

Waveguide precision load 430WPL, operating from 1.7 to 2.6GHz and low VSWR 1.025:1. 430WPL covers the 430WPL sub waveguide band and comes with one flange FDP22(UDR22). It can handle 15 continuously and 15 peak power. A-INFO Precision Flange(APF) is available for this series. The WPL series low power waveguide fixed terminations are precision, low VSWR terminations suited to a wide variety of precision laboratory applications. The typical applications include full band one-Interface calibration and full two-Interface, isolation calibration. TRM (Thru-Reflect-Match) and SSLT (Short-Short-Load- Thru) calibration methods are supInterfaceed.

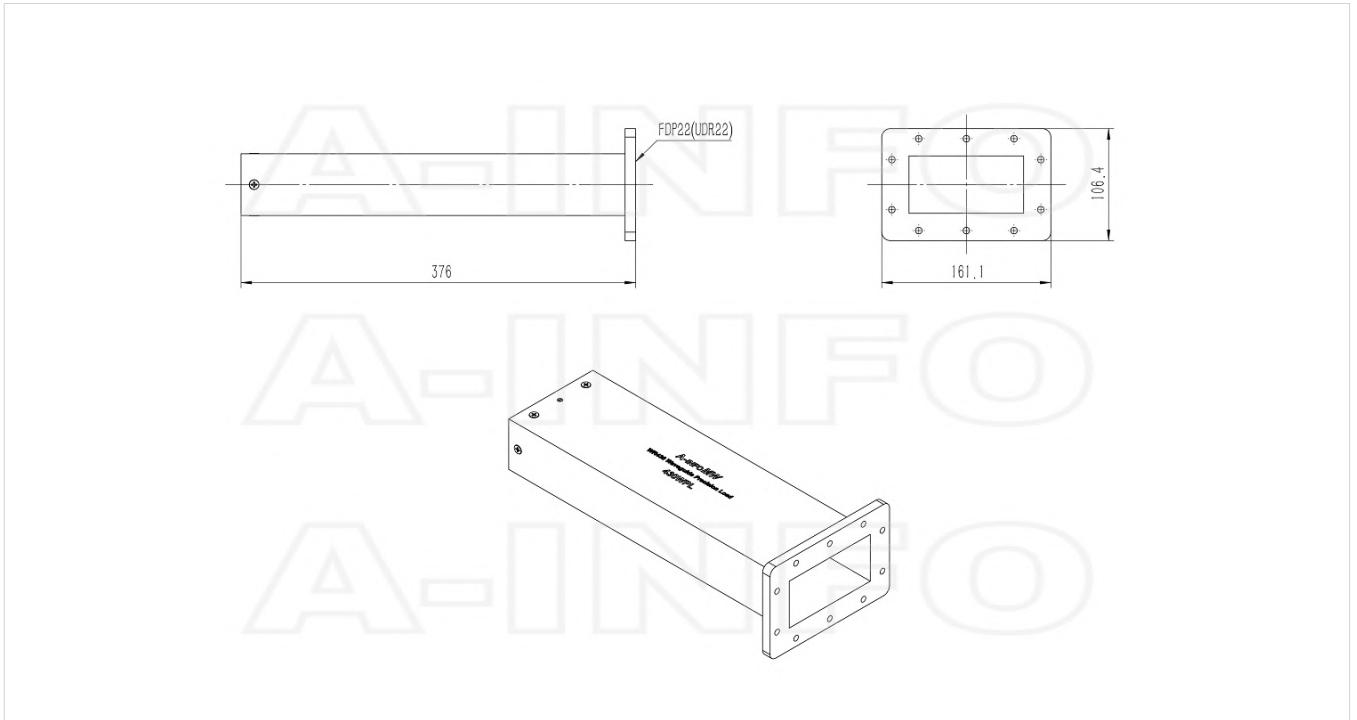
### Technical Specification

Electrical Specification		Mechanical Specification	
WG Load Type	Precision	Body Material	Al
Waveguide Band	S	Finish	Chemical Conversion Coating, Gray Paint
Waveguide Type	Rectangular	Size, L (mm)	376
Waveguide Size EIA WR	WR430	Size, W (mm)	161.1
Frequency, Min (GHz)	1.7	Size, H (mm)	106.4
Frequency, Max (GHz)	2.6	Weight, (kg)	2.45
VSWR, Typ	1.02:1	Pressure Sealed	No
VSWR, Max	1.025:1	<b>Environmental Specification</b>	
Power Handling, CW, (W)	15	Operating Temp. Low (°C)	-55
Power Handling, Peak, (KW)	15	Operating Temp. High (°C)	85
<b>Interface</b>		Storage Temp. Low (°C)	-60
Flange Style	Rectangular	Storage Temp. High (°C)	90
Flange Type	Cover		
Flange Designation	FDP22(UDR22)		

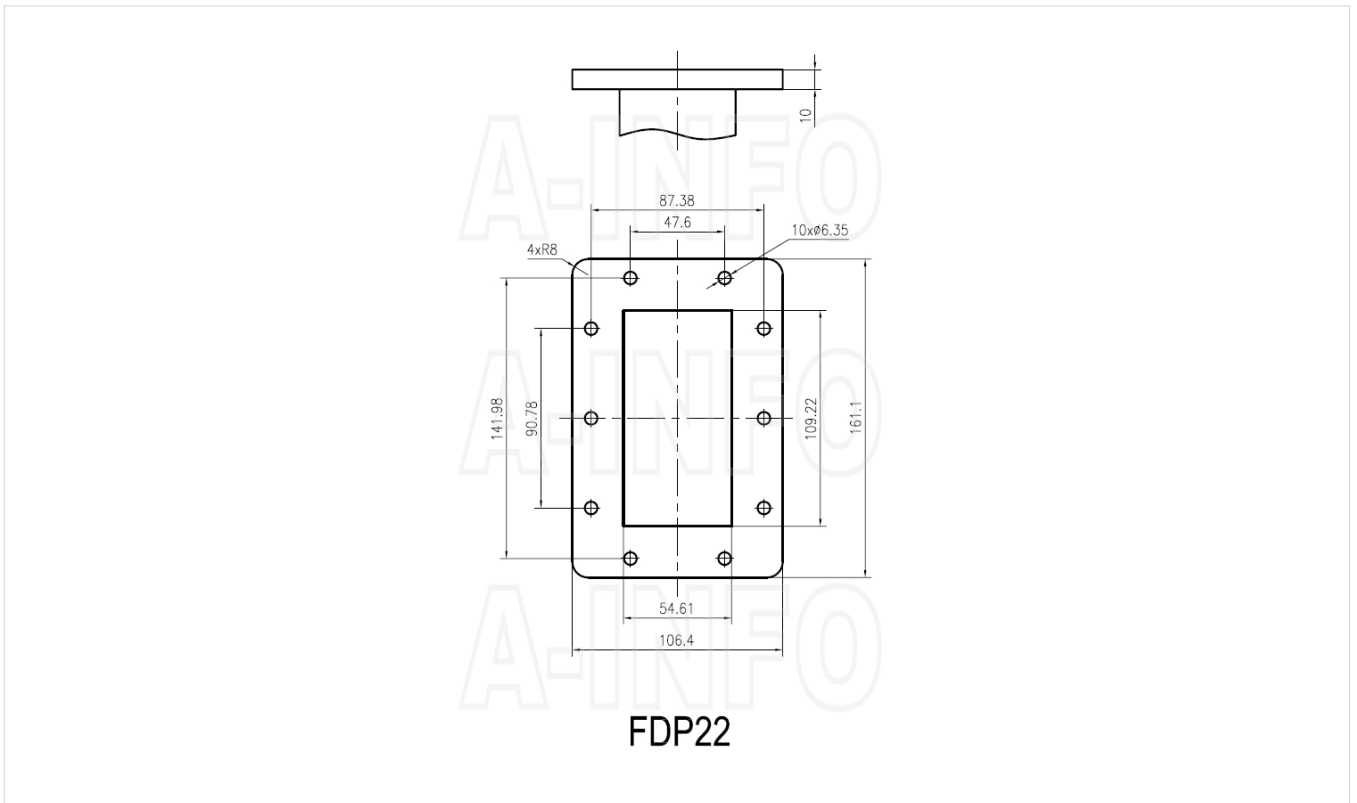
## Additional Information

Application	General Purpose Indoor & Outdoor, Fixed
-------------	---

## Outline Drawing

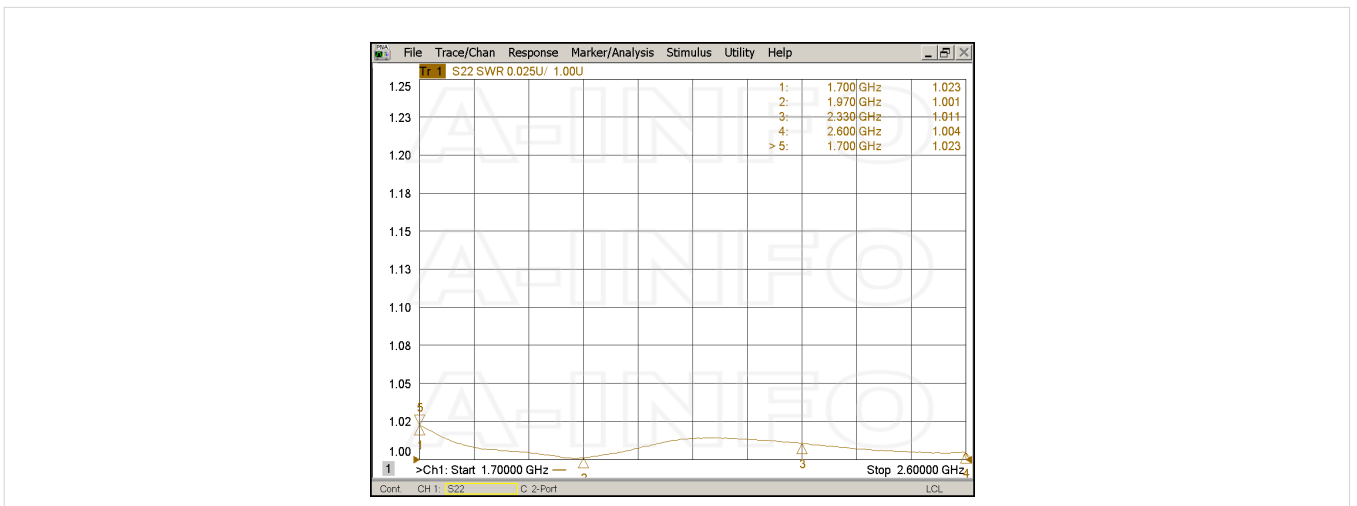


## Flange Drawing



## Typical Test Results

### VSWR



## About this Datasheet

<ul style="list-style-type: none"><li>● Product Information</li></ul> Product Link: <a href="https://www.ainfoinc.com/430wpl-wr430-waveguide-precision-load-1-7-2-6-ghz-fdp22-udr22">https://www.ainfoinc.com/430wpl-wr430-waveguide-precision-load-1-7-2-6-ghz-fdp22-udr22</a> Data subject to change without notice. © A-INFO INC. 2024. All Rights Reserved	<ul style="list-style-type: none"><li>● Contact Us</li></ul> Address: 60 Tesla, Irvine, CA 92618, USA  Website: <a href="http://www.ainfoinc.com">www.ainfoinc.com</a>  Email: <a href="mailto:sales@ainfoinc.com">sales@ainfoinc.com</a>	<ul style="list-style-type: none"><li>● Phone &amp; Fax</li></ul> Phone: +1-949-639-9688 +1-949-639-9608  Fax: +1-949-639-9670
---	--	---