

Technical Specification

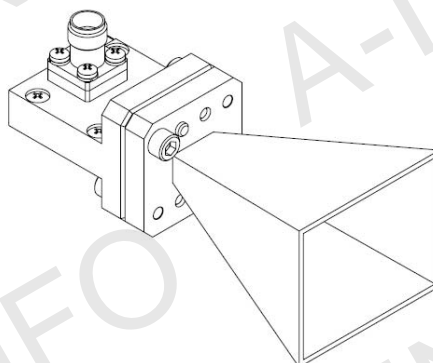
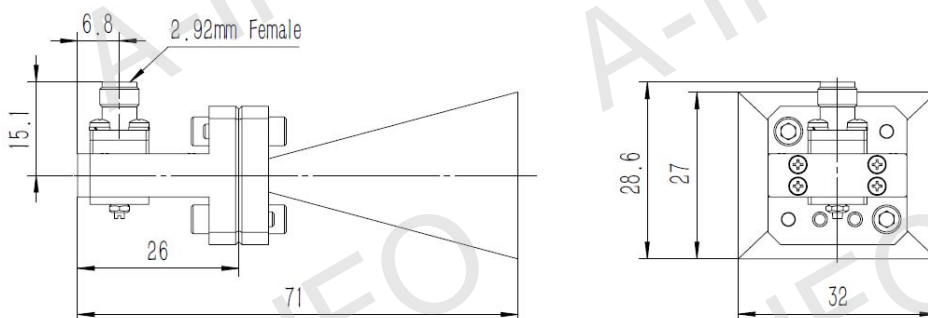


Frequency Range(GHz)	18.0 – 40.0
Gain(dBi)	15 Typ.
Polarization	Linear
3dB Beamwidth(deg)	E Plane 41 - 21
	H Plane 42 - 17
Cross Pol. Isolation(dB)	30 Typ.
VSWR	1.5:1 Typ.
	2.0:1 Max.
Connector	2.92mm(K)-Female Or 2.4mm-Female
Power Handling(W)	20 Max. CW
Material	Cu
Size(mm)	32 x 28.6 x 71
Net Weight(Kg)	0.08 Around

Outline Drawing (Size: mm)

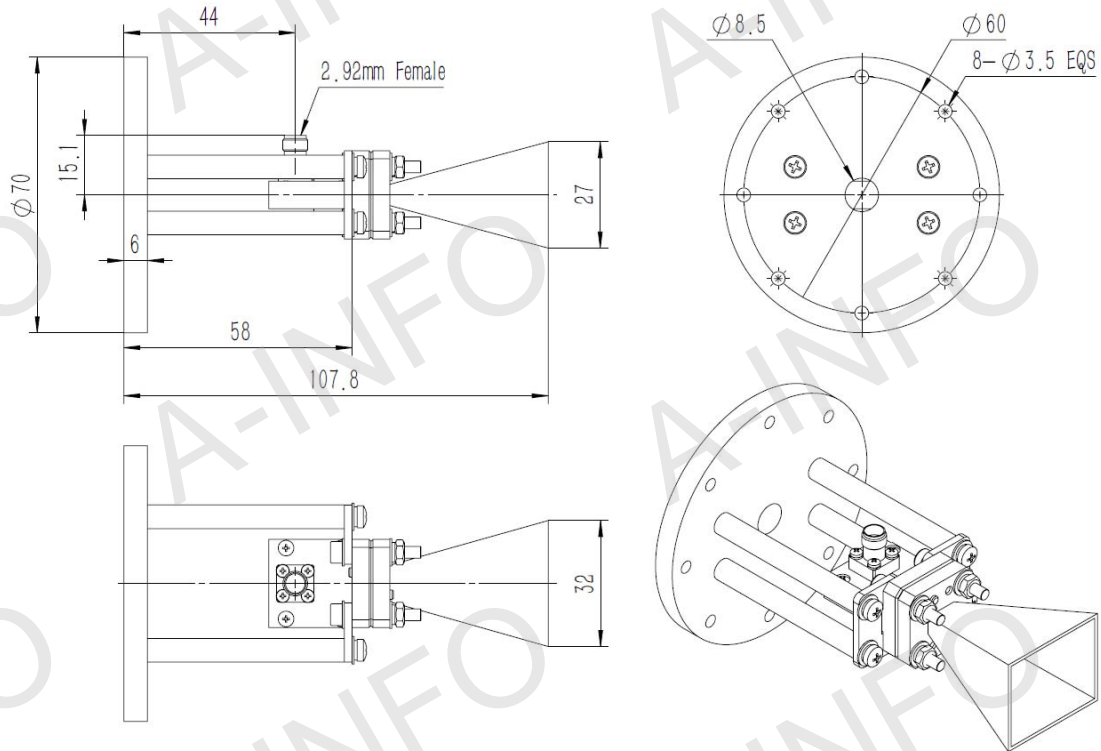
2.92mm-Female Output

For 2.4mm-Female output outline drawing, please contact A-INFO.



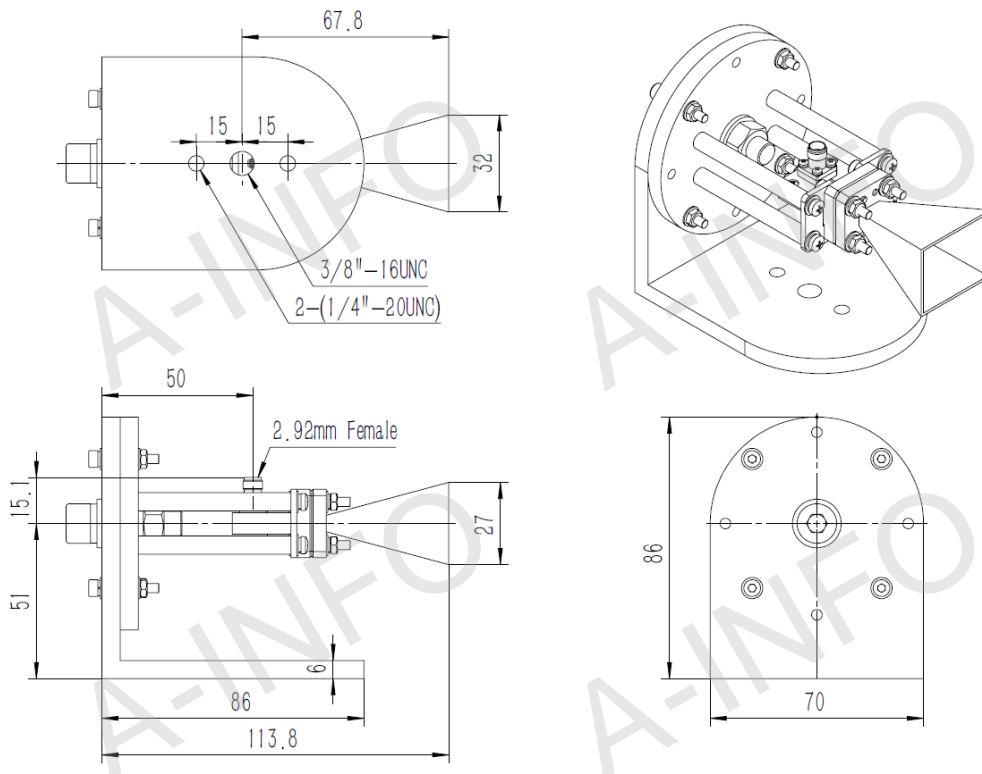
2.92mm-Female Output with Round Mounting Bracket

For 2.4mm-Female output outline drawing, please contact A-INFO.



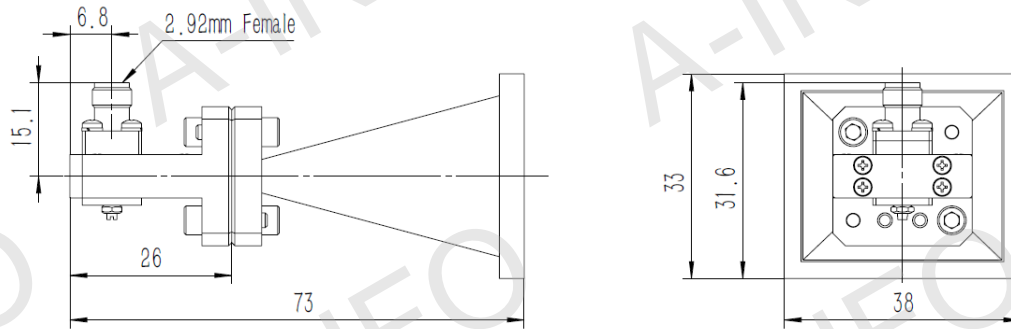
2.92mm-Female Output with L type Mounting Bracket

For 2.4mm-Female output outline drawing, please contact A-INFO.



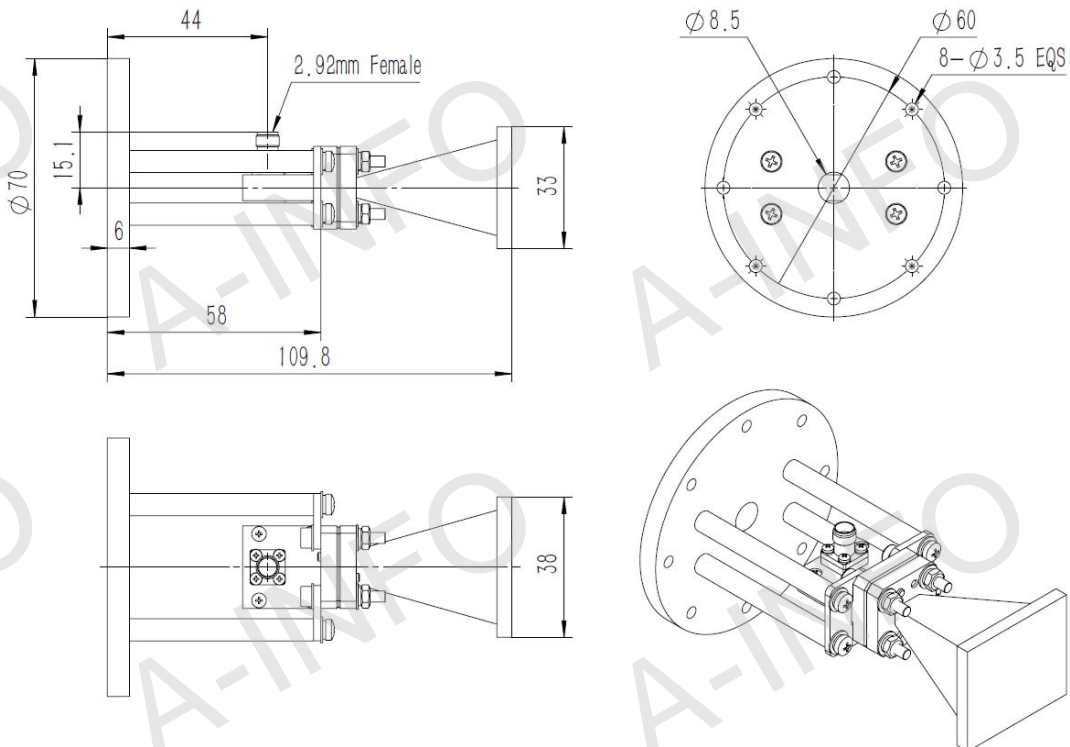
2.92mm-Female Output with Radome

For 2.4mm-Female output outline drawing, please contact A-INFO.



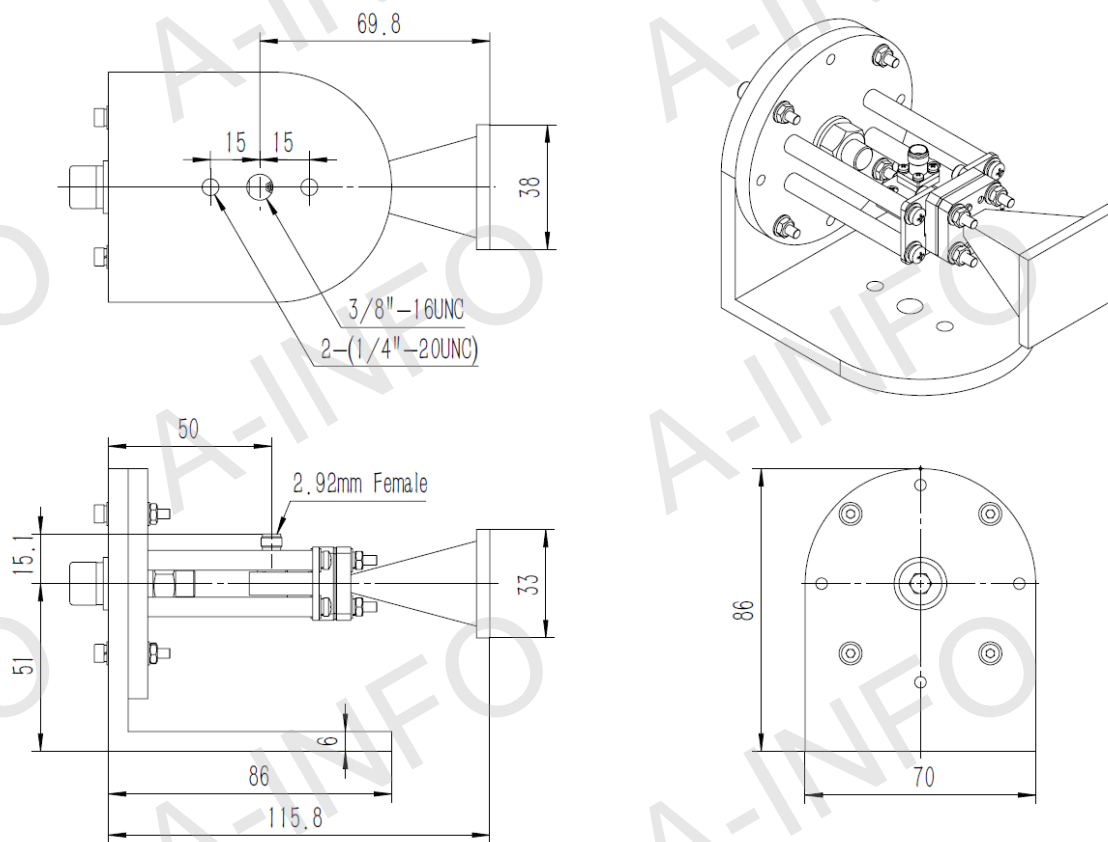
2.92mm-Female Output with Round Mounting Bracket and Radome

For 2.4mm-Female output outline drawing, please contact A-INFO.



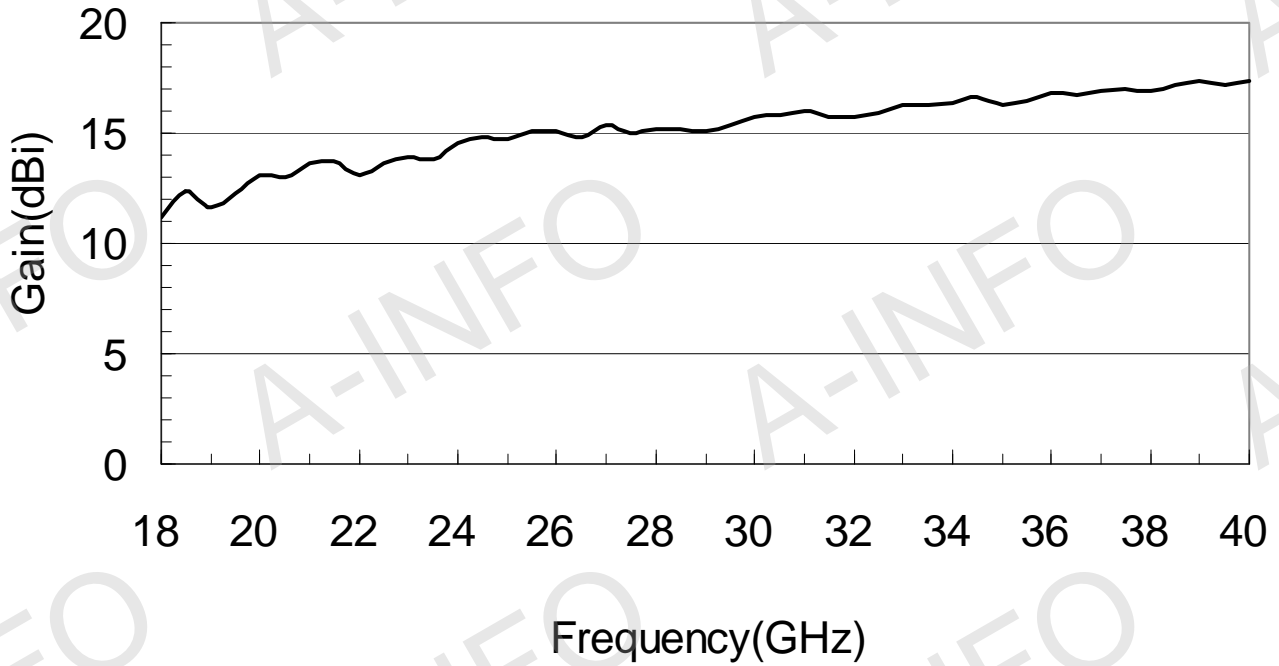
2.92mm-Female Output with L type Mounting Bracket and Radome

For 2.4mm-Female output outline drawing, please contact A-INFO.

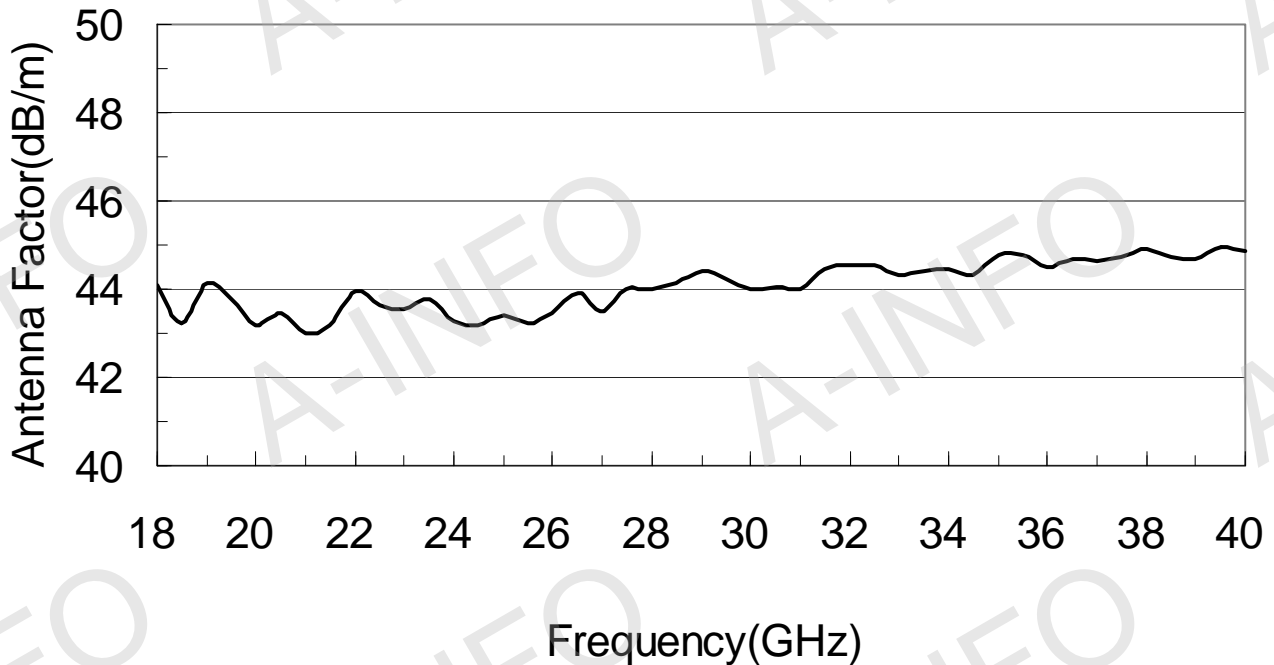


Test Results

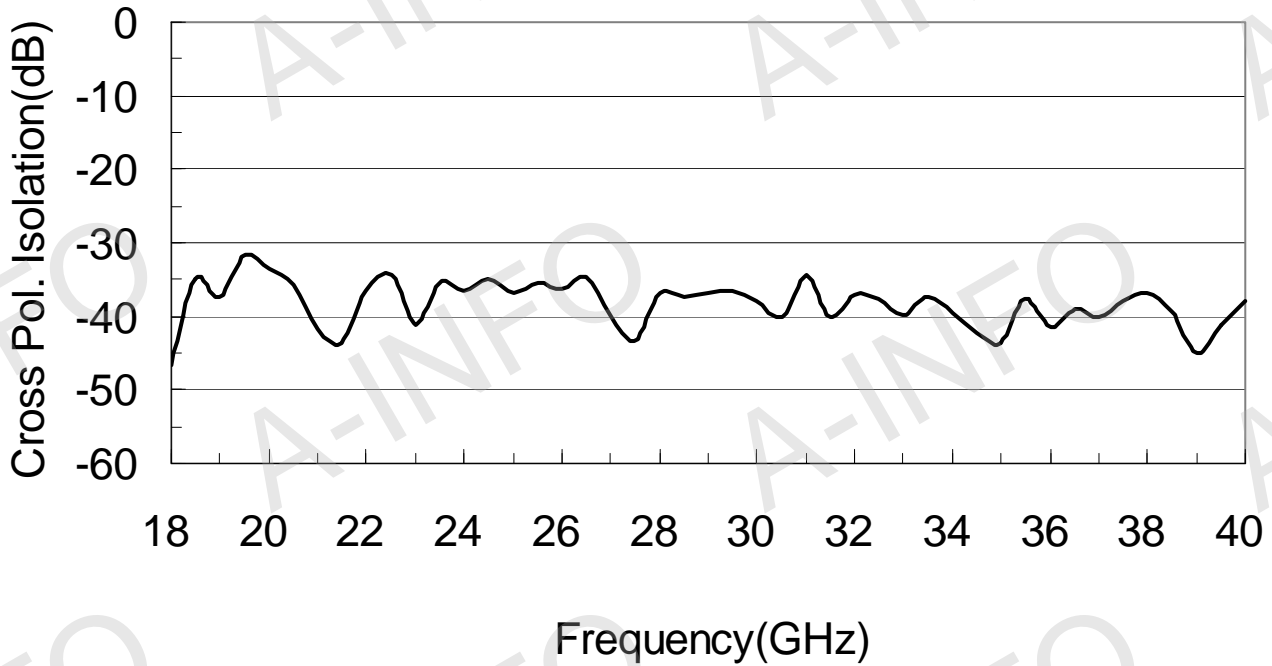
1. Gain



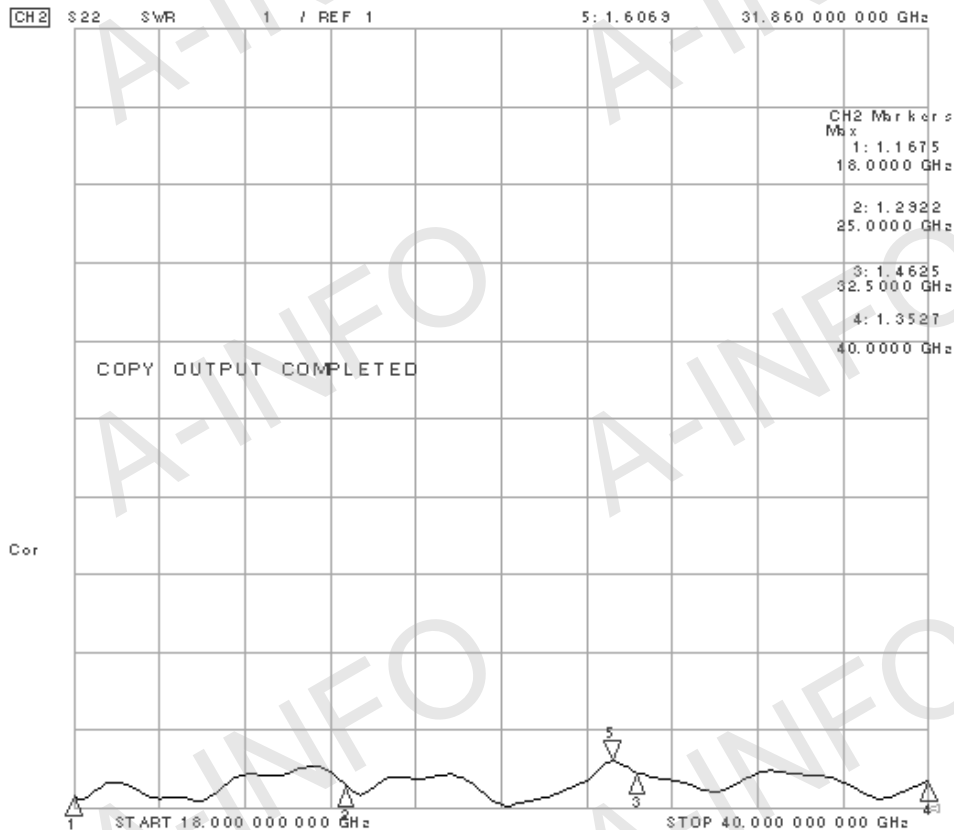
2. Antenna Factor



3. Cross Polarization Isolation



3. VSWR



5. Pattern

