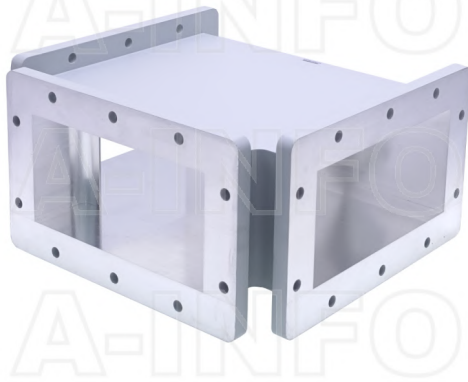


650WHT WR650 Waveguide H-Plane Tee 1.12-1.7GHz with Three Rectangular Waveguide Interfaces



WR650 Waveguide H-Plane Tee Operating From 1.12 to 1.7GHz with Three Rectangular Waveguide Interfaces

Product Information

SKU	650WHT
-----	--------

Description

Waveguide H-plane tee 650WHT, operating from 1.12 to 1.7GHz with a 0.1dB insertion loss and low VSWR 1.50:1. 650WHT is a three-ports waveguide connector. All the ports have standard WR650 waveguides with the same flanges FDP14(UDR14). The waveguide H-plane tees are used to separate the signal at H plane rectangular port into the collinear arm with the two rectangular waveguide ports or synthesize the signal from the two ports of the collinear arm into the H plane port.

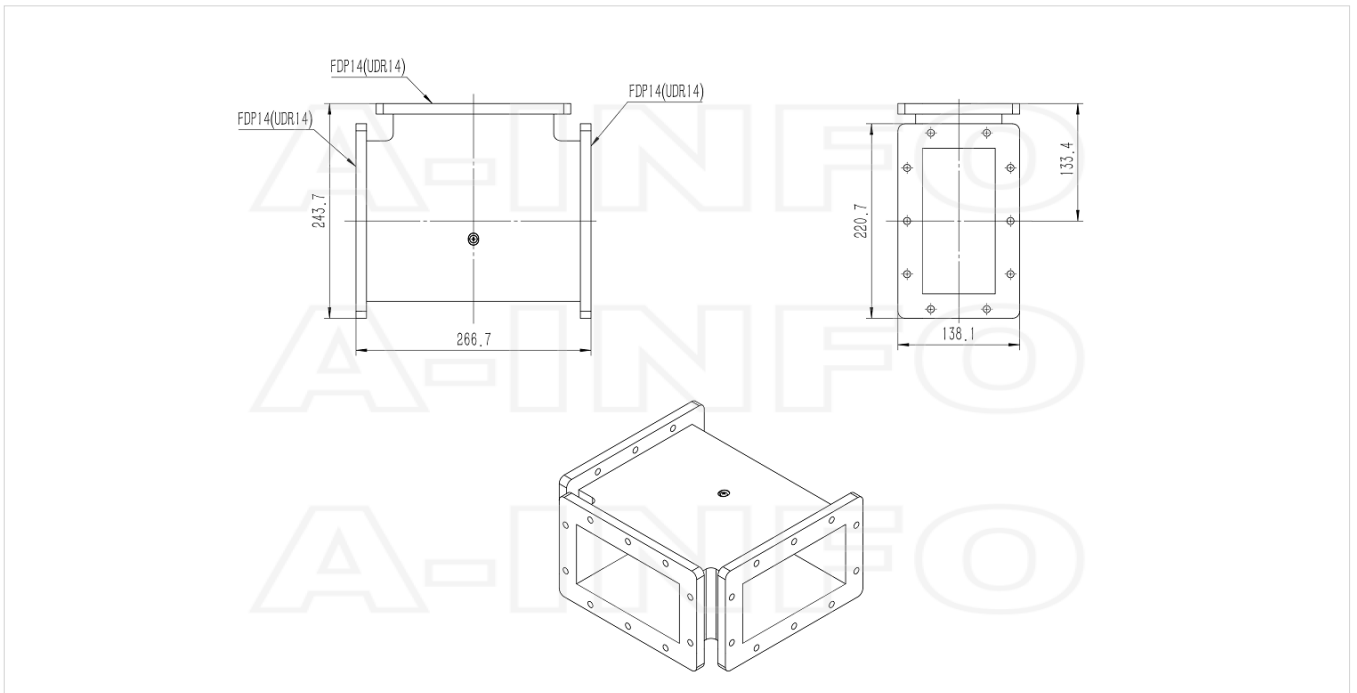
Technical Specification

Electrical Specification		Interface	
WG Tee Type	H-Plane Tee	Flange 3 Style	Rectangular
Waveguide Band	L	Flange 3 Type	Cover
Waveguide Type	Rectangular	Flange 3 Designation	FDP14(UDR14)
Waveguide Size EIA WR	WR650	Mechanical Specification	
Frequency, Min (GHz)	1.12	Body Material	Al
Frequency, Max (GHz)	1.7	Finish	Chemical Conversion Coating, Gray Paint
I.L., Typ (dB)	0.1	Size, L (mm)	266.7
I.L., Max (dB)	0.2	Size, W (mm)	243.7
VSWR, Typ	1.50:1	Size, H (mm)	220.7
Amplitude Balance, Max (±dB)	0.25	Weight, (kg)	4.8
Phase Balance, Max (Deg.)	5	Pressure Sealed	No
Power Handling, CW, (W)	31000	Environmental Specification	
Power Handling, Peak, (KW)	13000	Operating Temp. Low (°C)	-55
Interface		Operating Temp. High (°C)	85
Flange 1 Style	Rectangular	Storage Temp. Low (°C)	-60
Flange 1 Type	Cover	Storage Temp. High (°C)	90
Flange 1 Designation	FDP14(UDR14)		
Flange 2 Style	Rectangular		
Flange 2 Type	Cover		
Flange 2 Designation	FDP14(UDR14)		

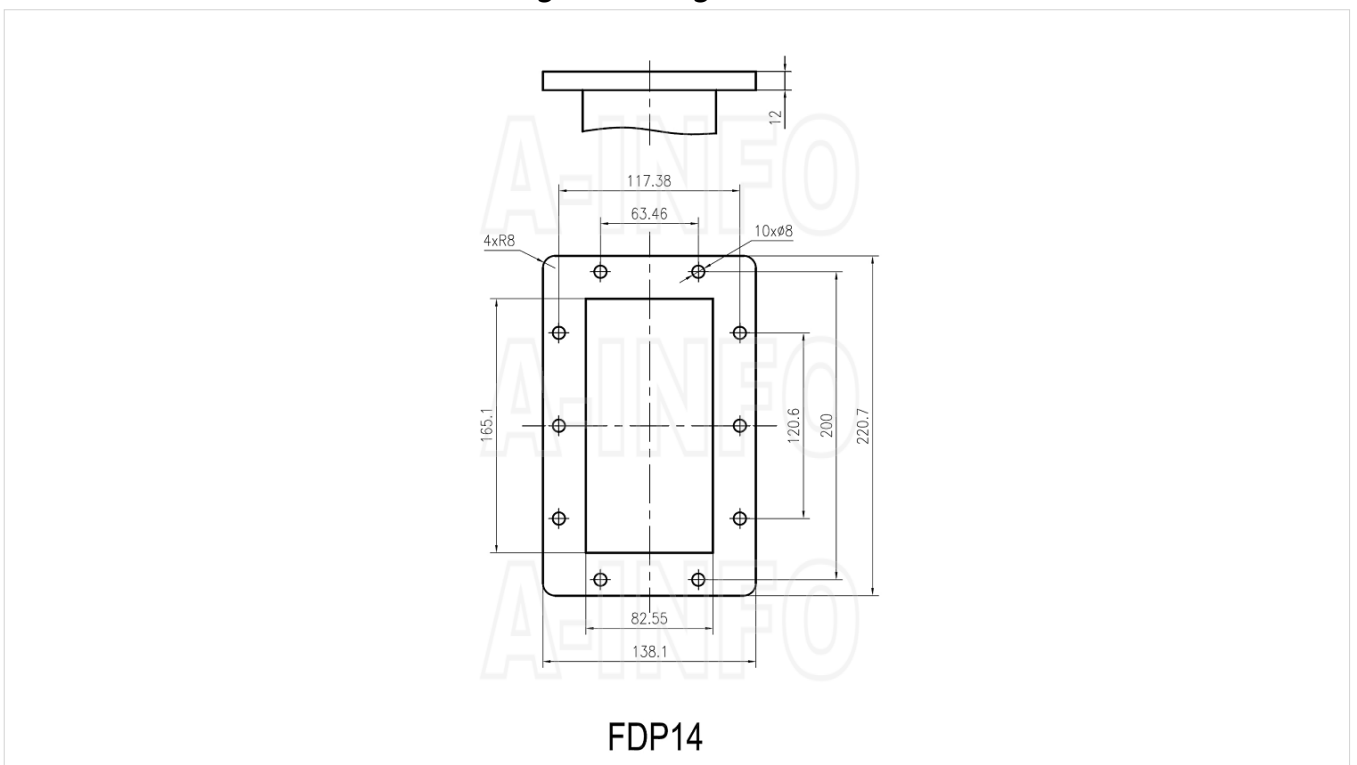
Additional Information

Application	General Purpose Indoor & Outdoor, Fixed
-------------	---

Outline Drawing(Size: mm)

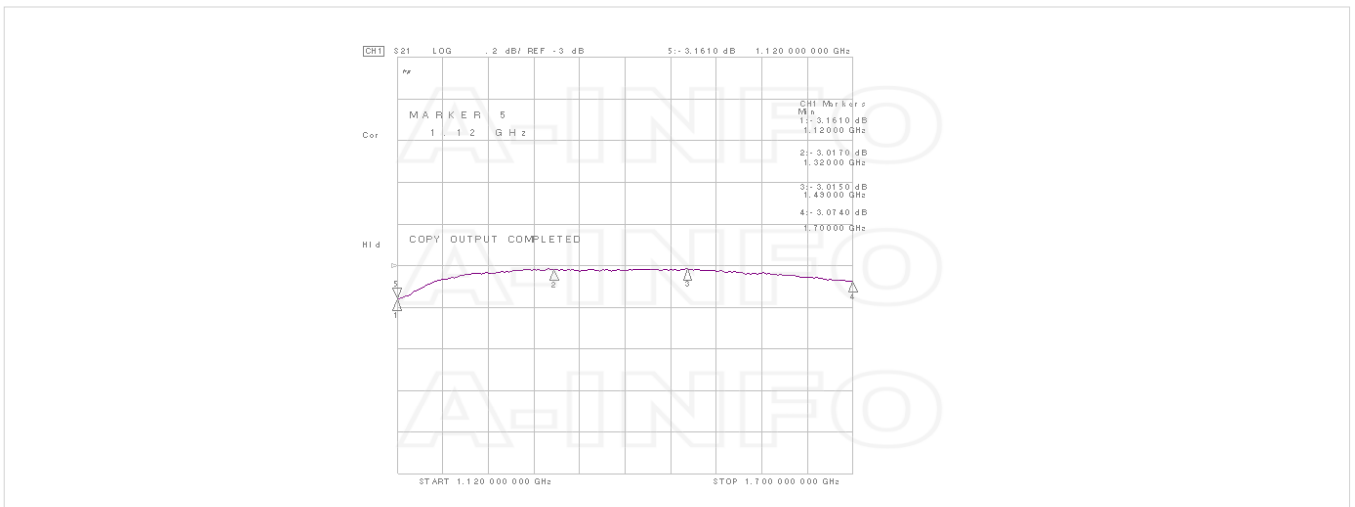


Flange Drawing(Size: mm)

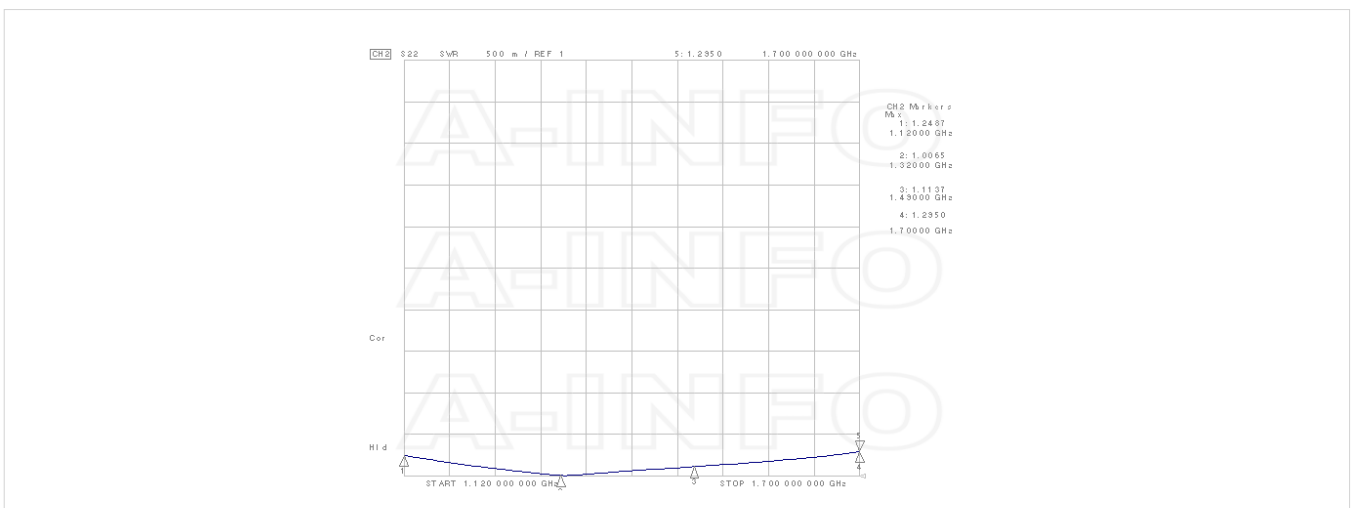


Typical Test Results

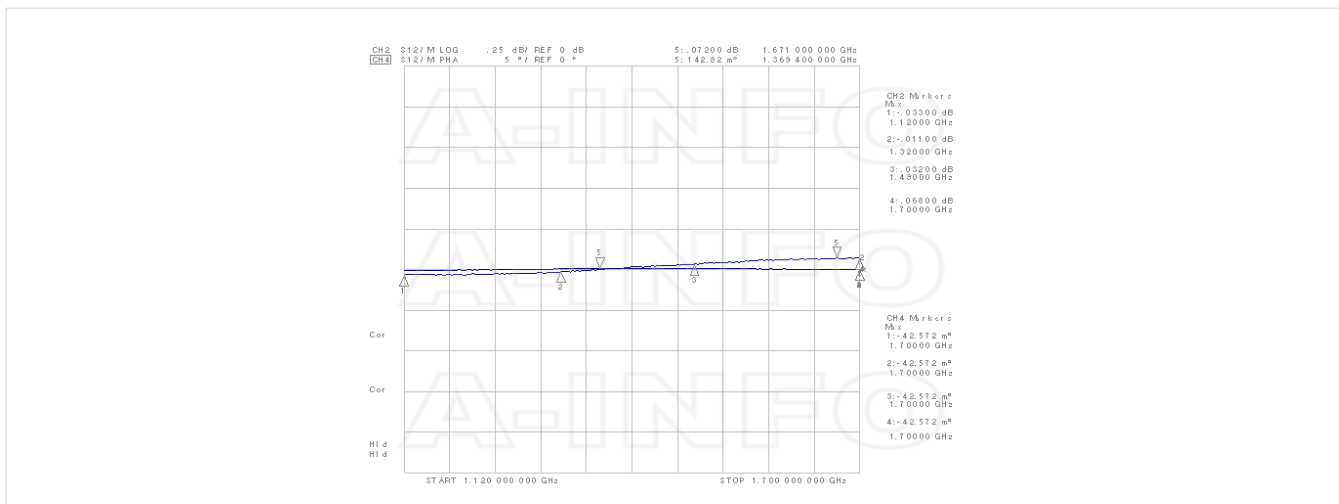
Insertion Loss(Including the theoretical loss 3.0dB)



VSWR



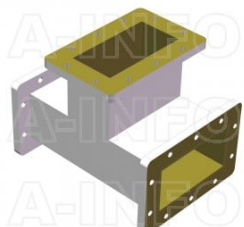
Amplitude Balance & Phase Balance



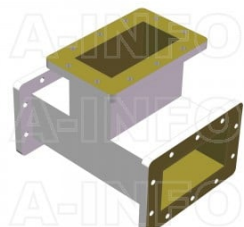
Similar Products



510WHT WR510 Waveguide H-Plane Tee 1.45-2.2GHz with Three Rectangular Waveguide Interfaces



510WET WR510 Waveguide E-Plane Tee 1.45-2.2GHz with Three Rectangular Waveguide Interfaces



650WET WR650 Waveguide E-Plane Tee 1.12-1.7GHz with Three Rectangular Waveguide Interfaces

About this Datasheet

<ul style="list-style-type: none"> ● Product Information Product Link: https://www.ainfoinc.com/650wht-wr650-waveguide-h-plane-tee-1-12-1-7-ghz-fdp14-udr14 Data subject to change without notice. © A-INFO INC. 2024. All Rights Reserved 	<ul style="list-style-type: none"> ● Contact Us Address: 60 Tesla, Irvine, CA 92618, USA Website: www.ainfoinc.com Email: sales@ainfoinc.com 	<ul style="list-style-type: none"> ● Phone & Fax Phone: +1-949-639-9688 +1-949-639-9608 Fax: +1-949-639-9670
---	--	--