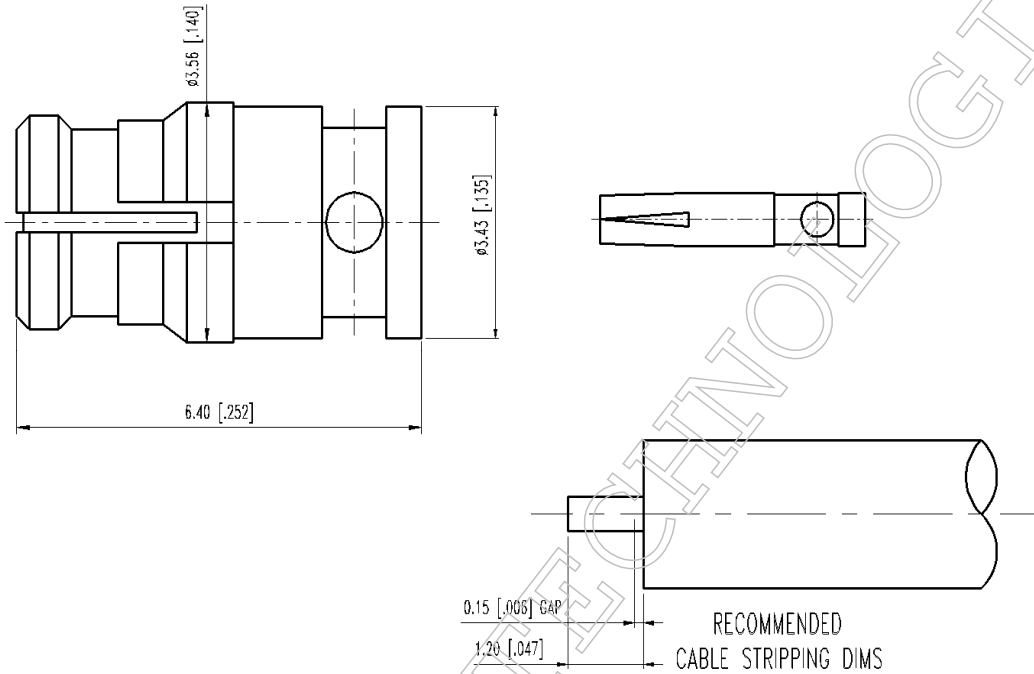


▪ **Outline Dimension Drawing**

Dimensions: mm[inch]



▪ **Material Specification**

Description	Material	Plating
Body	BeCu	Gold
Contact	BeCu	Gold
Dielectric	PTFE	
Ring	BeCu	Gold

In the effort to improve our products, we reserve the right to make changes judged to be necessary

▪ Electrical Specification

Description			Description		
Impedance	50	Ω	Insulation Resistance	5000	MΩ Min.
Frequency	12.4	GHz	Inner Contact Resistance	6	mΩ Max.
VSWR	6GHz/1.20	Max.	Outer Contact Resistance	2	mΩ Max.
	12.4GHz/1.25	Max.			
	18GHz/1.45	Max.			
Insertion Loss	0.3	dB Max.			
Voltage Rating	330	Vrms Max.			
Dielectric Withstanding Voltag	500	Vrms Max.			

▪ Mechanical Specification

Description		
Engagement Force		
Full Detent	15	lbs. Max.
Limited Detent	10	lbs. Max.
Smooth Bore	2	lbs. Max.
Disengagement Force		
Full Detent	5	lbs. Min.
Limited Detent	2	lbs. Min.
Smooth Bore	0.5	lbs. Min.
Connector Durability		
Full Detent	100	matings min.
Limited Detent	500	matings min.
Smooth Bore	1000	matings min.
Center Contact		
Axial Force-Mating End	N/A	lbs.
Axial Force-Opposite End	N/A	lbs.
Weight	0.22	g

▪ Environmental Specification

Description		
Temperature Min.	-65	°C
Temperature Max.	165	°C
Hermetic Seal	N/A	

In the effort to improve our products, we reserve the right to make changes judged to be necessary