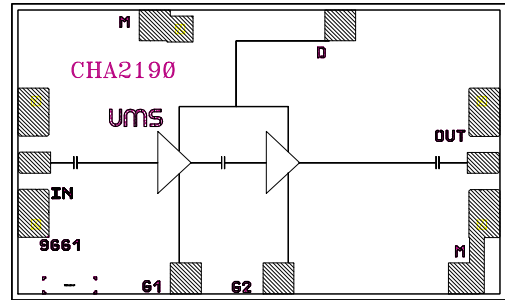


## 20-30GHz Low Noise Amplifier self biased GaAs Monolithic Microwave IC

### Description

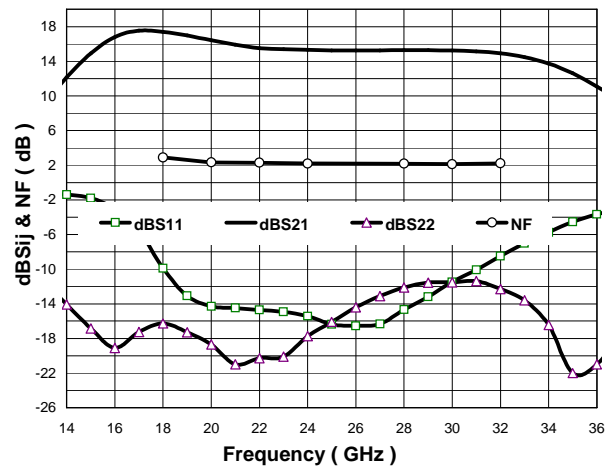
The circuit is a two-stages self biased wide band monolithic low noise amplifier.

The circuit is manufactured with a standard pHEMT process: 0.25 $\mu$ m gate length, via holes through the substrate, air bridges and electron beam gate lithography. It is supplied in chip form.



### Main Feature

- Broad band performance 20-30GHz
- 2.2dB noise figure
- 15dB gain,  $\pm 0.5$ dB gain flatness
- Low DC power consumption, 50mA
- 20dBm 3rd order intercept point
- Chip size : 1.670 x 1.03x 0.1mm



### Main Characteristics

Tamb = +25°C

On wafer typical measurement

Symbol	Parameter	Min	Typ	Max	Unit
NF	Noise figure at freq : 40GHz		2.2	3	dB
G	Gain	13	15		dB
$\Delta$ G	Gain flatness		$\pm 0.5$	$\pm 1$	dB

ESD Protections : Electrostatic discharge sensitive device observe handling precautions !

## Electrical Characteristics

Tamb = +25°C, Vd = +4V (On wafer)

Symbol	Parameter	Min	Typ	Max	Unit
Fop	Operating frequency range	20		30	Ghz
G	Gain (1)	13	15		dB
ΔG	Gain flatness (1)		± 0.5	± 1	dB
NF	Noise figure (1)		2.2	3	dB
VSWRin	Input VSWR (1)			3.0:1	
VSWRout	Ouput VSWR (1)			3.0:1	
IP3	3rd order intercept point		20		dBm
P1dB	Output power at 1dB gain compression (2)		11		dBm
Id	Drain bias current (3)		50	70	mA

(1) These values are representative of wafer measurements without bonding wire at the RF ports.

(2) This value is a typical value when Vd=4V Vg1=Vg2=0V or not connected and can be increased  
See chip biasing option page 8

(3) This current is the typical value for low noise and low current consumption biasing :  
Vd=4V , Vg1=Vg2=0V or not connected.

## Absolute Maximum Ratings (4)

Tamb = +25°C

Symbol	Parameter	Values	Unit
Vd	Drain bias voltage (6)	4.5	V
Vg	Vg1 and Vg2 max	+1	V
Pin	Maximum peak input power overdrive (5)	15	dBm
Top	Operating temperature range	-40 to +85	°C
Tstg	Storage temperature range	-55 to +125	°C

(4) Operation of this device above anyone of these paramaters may cause permanent damage.

(5) Duration < 1s.

(6) See chip biasing options page 8/9

**Typical Results****Chip Typical Response (On wafer Scattering parameters)**

Tamb = +25°C, Vd=4V Id=+50mA

Freq	dBS11	PS11	dBS12	PS12	dBS21	PS21	dBS22	PS22
	mod.	pha.	mod.	pha.	mod.	pha.	mod.	pha.
GHz	dB	deg.	dB	deg.	dB	deg.	dB	deg.
2.00	-0.37	-74.86	-70.84	-53.91	-29.15	56.50	-2.03	-84.36
5.00	-0.53	-151.19	-61.97	-91.19	-54.49	149.52	-4.15	-155.38
8.00	-0.59	157.19	-63.84	-162.71	-21.34	-178.25	-5.97	161.51
9.00	-0.66	141.20	-64.59	167.32	-14.41	176.87	-6.38	149.74
10.00	-0.79	125.32	-62.91	152.65	-7.52	163.27	-7.07	136.72
11.00	-1.00	109.39	-62.00	165.51	-1.20	140.92	-8.02	124.05
12.00	-1.26	93.11	-61.10	65.75	4.21	111.98	-9.38	111.29
13.00	-1.33	73.86	-54.13	-36.78	8.62	79.00	-11.25	101.00
14.00	-1.39	52.92	-45.84	-88.69	12.13	43.65	-14.06	92.70
15.00	-1.79	26.36	-41.70	-126.55	14.89	7.60	-16.84	90.96
16.00	-3.06	-7.27	-38.40	-159.80	16.82	-31.20	-19.09	106.80
17.00	-5.59	-46.11	-36.52	168.18	17.53	-68.31	-17.25	106.98
18.00	-9.90	-88.64	-34.29	139.94	17.39	-102.75	-16.27	97.39
19.00	-13.09	-132.63	-34.84	112.28	16.98	-131.32	-17.29	75.43
20.00	-14.29	-179.39	-34.82	93.31	16.44	-156.45	-18.70	49.82
21.00	-14.48	143.23	-34.24	79.42	15.90	-179.20	-21.00	23.10
22.00	-14.71	118.23	-33.88	62.77	15.50	160.71	-20.27	-12.66
23.00	-14.92	100.80	-33.65	47.72	15.38	141.01	-20.10	-51.60
24.00	-15.42	87.80	-32.93	34.93	15.30	121.05	-17.74	-76.68
25.00	-16.38	78.89	-32.22	20.45	15.22	101.34	-16.09	-98.65
26.00	-16.55	77.15	-31.63	3.26	15.22	81.83	-14.40	-114.01
27.00	-16.33	77.12	-30.73	-11.52	15.24	61.81	-13.10	-131.22
28.00	-14.66	71.74	-30.72	-31.79	15.28	41.14	-12.13	-145.23
29.00	-13.19	61.95	-29.96	-45.41	15.27	20.38	-11.55	-159.84
30.00	-11.49	46.38	-29.74	-65.11	15.22	-1.31	-11.52	-175.03
31.00	-10.10	25.97	-29.29	-84.32	15.13	-23.85	-11.39	171.38
32.00	-8.49	1.99	-29.08	-104.88	14.92	-47.58	-12.30	155.28
33.00	-7.01	-24.08	-29.25	-127.09	14.46	-72.54	-13.60	135.95
34.00	-5.76	-50.88	-28.83	-147.90	13.73	-98.45	-16.45	111.53
35.00	-4.56	-78.91	-29.98	-177.63	12.61	-124.59	-22.00	75.08
36.00	-3.67	-103.63	-31.24	165.34	11.09	-149.58	-20.99	-22.73
37.00	-3.02	-125.99	-31.84	144.11	9.30	-173.89	-17.26	-69.71
38.00	-2.57	-146.23	-35.07	127.07	7.29	163.92	-12.77	-88.90
39.00	-2.18	-162.01	-35.66	98.71	5.36	143.17	-10.42	-108.31
40.00	-1.82	-178.56	-36.87	109.75	3.19	121.75	-8.88	-119.32

Typical Results

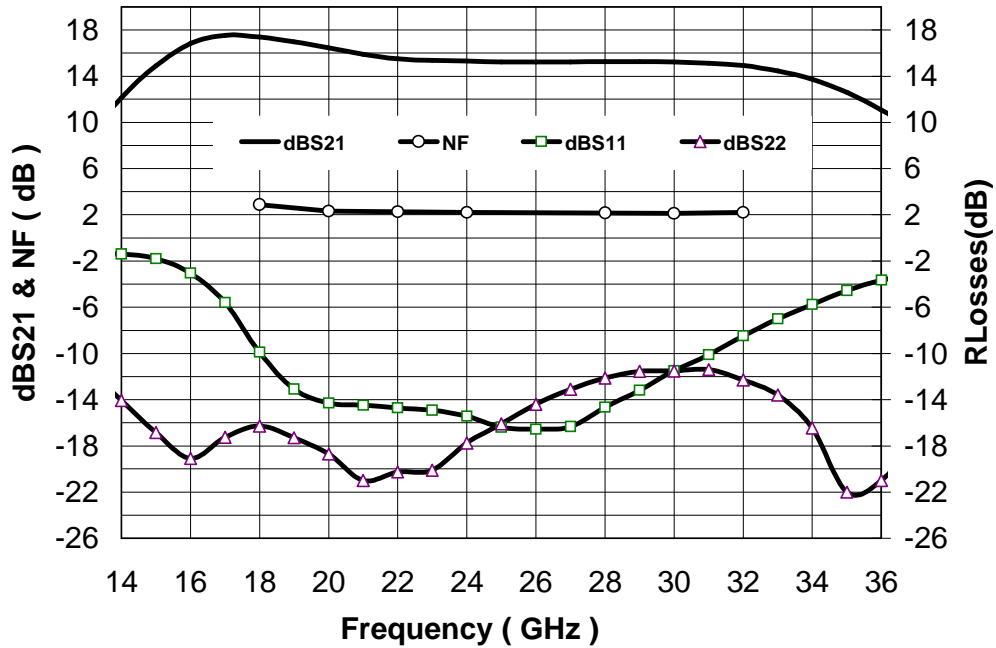
Typical Gain, Matching and Noise Figure (On wafer Measurements)

Tamb = +25°C

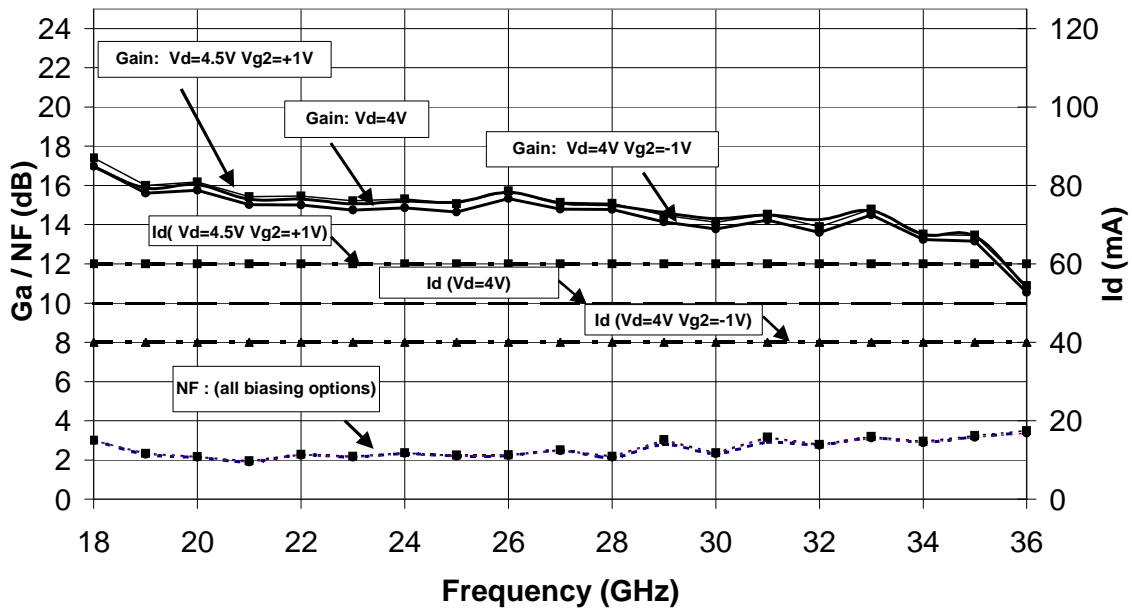
Vd = 4V Vg1 and Vg2 non connected; Id = 50mA

Typical gain slope versus temperature: -0.025dB/°C

Typical noise figure slope versus temperature: 0.011dB/°C

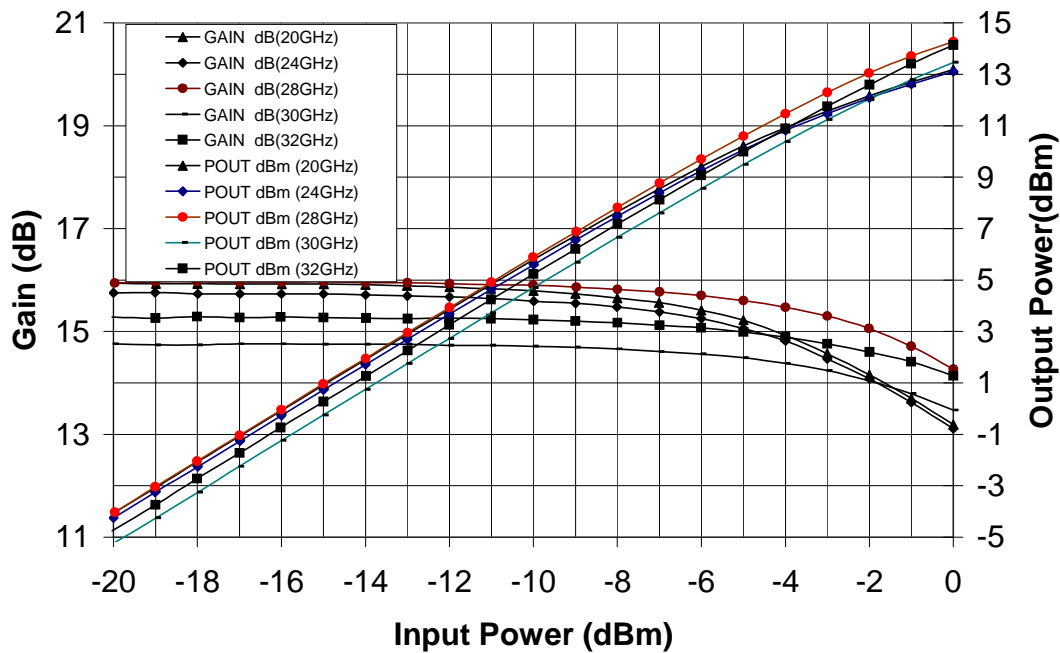


Chip Typical Response (In test Jig)

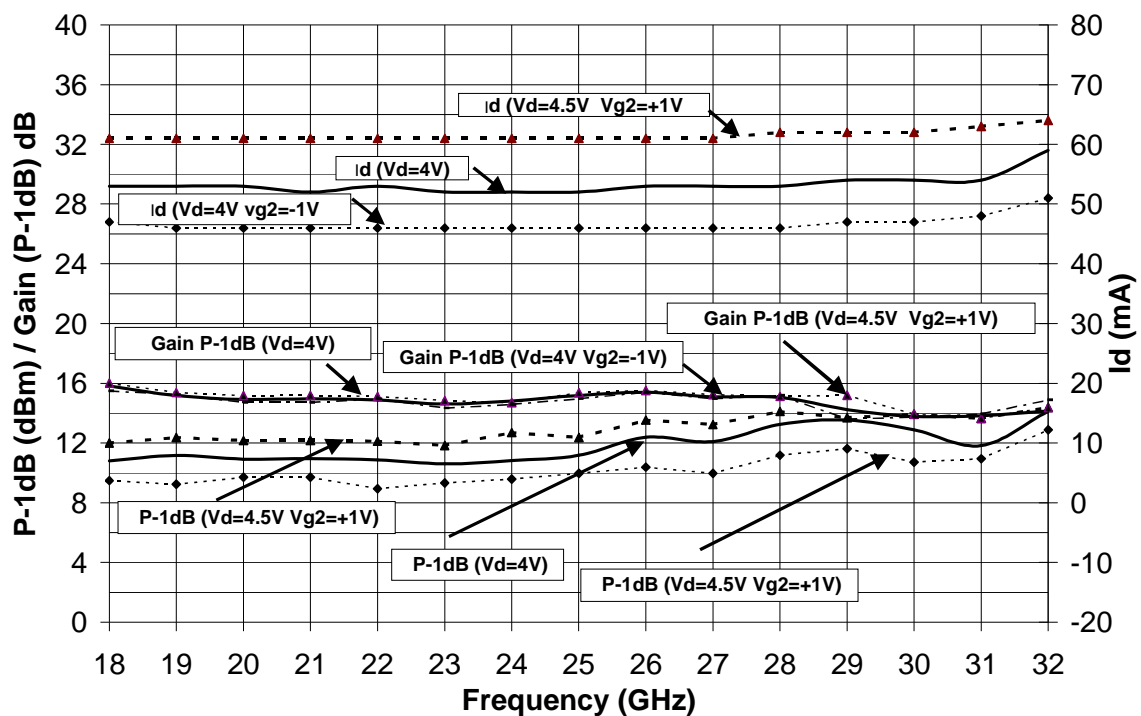


**Circuit typical response (In test-Jig)**

Power measurements ( $V_d = 4V$ )



**Typical Output Power (Measurement in test Jig)**

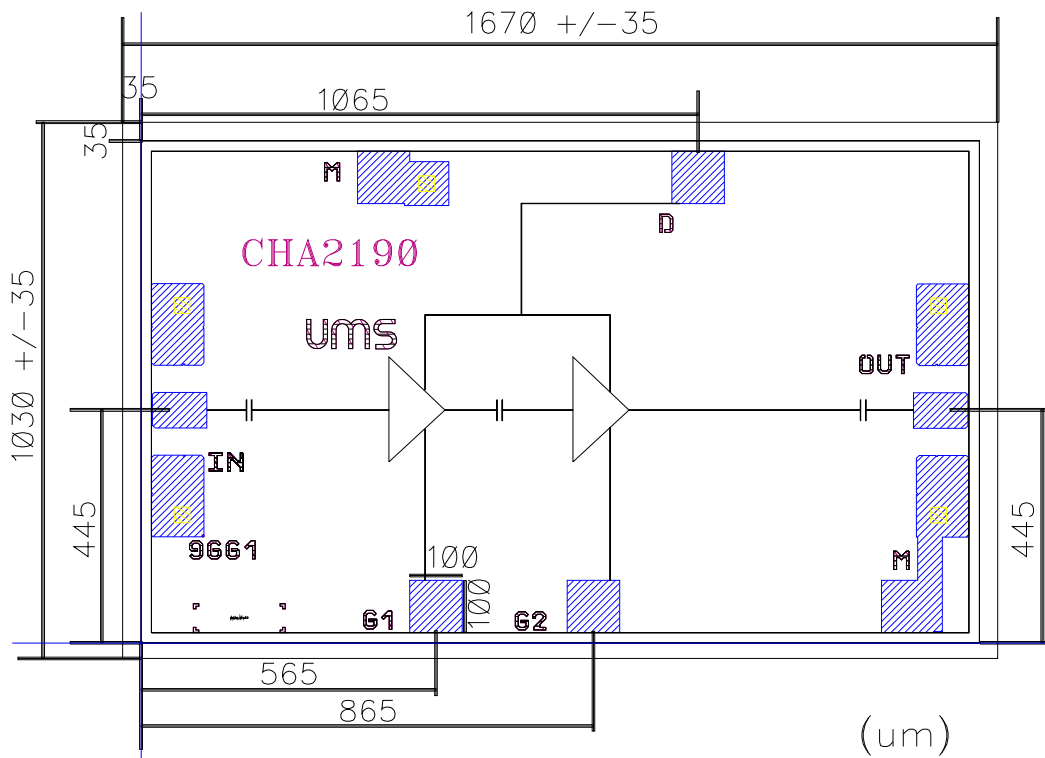


Tamb = +25°C

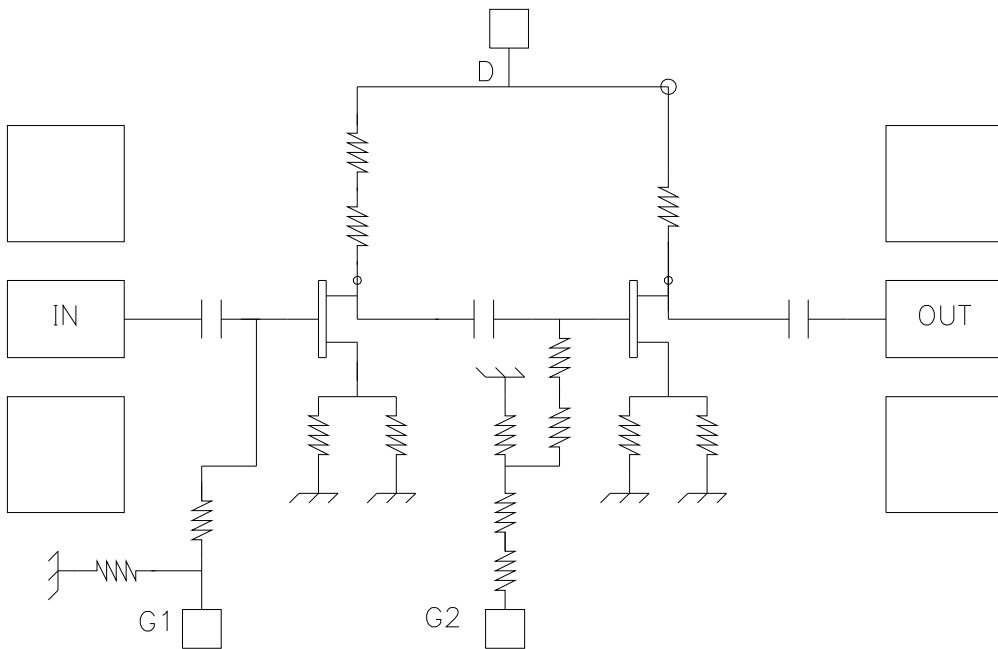
These values are representative of the package assembly with input and output bonding.

**Typical Output power -1dB for typical biasing**

**Mechanical data**

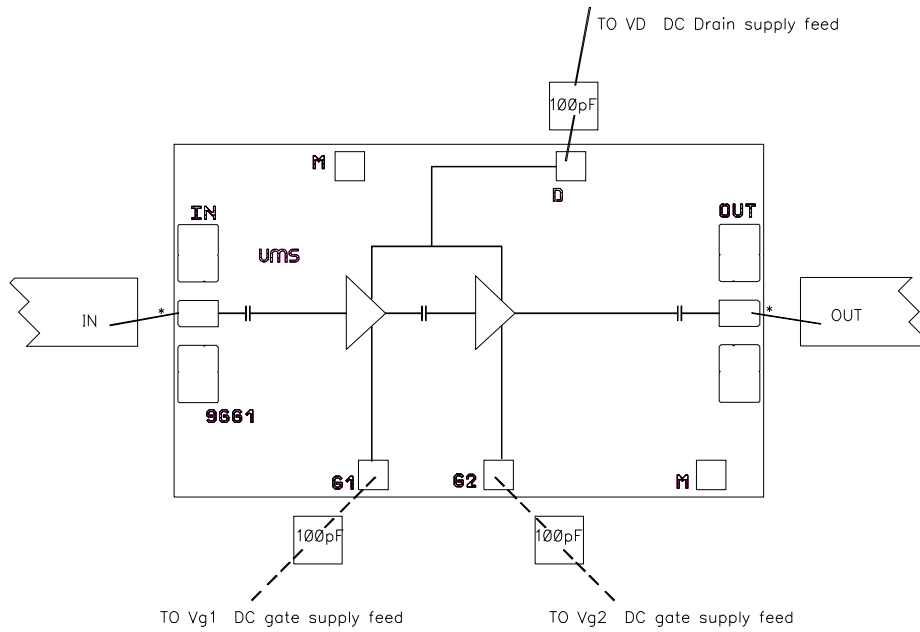


**Chip schematic and Pad Identification**



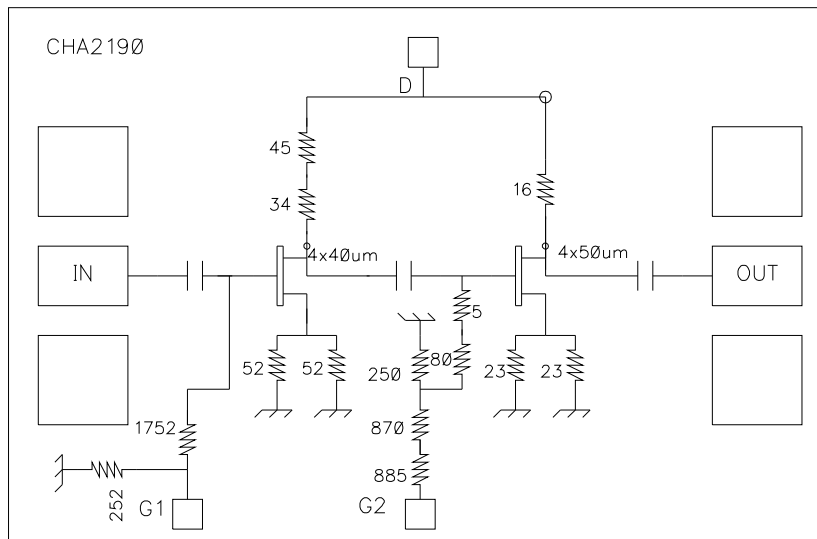
Pad Size: 100/100μm, chip thickness 100μm  
 Dimensions: 1670μm x 1030μm ± 35μm

**Typical Chip Assembly**



- \* Nominal Input and Output bonding length: 0.3 to 0.38nH for one 25 $\mu$ m bond wire.
- Chip backside is DC and RF grounded

**Chip Biasing options**



## Internal DC schematic

This chip is self-biased, and flexibility is provided by the access to positive  $V_g$ .  
The internal DC electrical schematic is given in order to use these pads in a safe way.

### Absolute recommendations:

- N°1: Do not exceed  $V_{ds} = 3.5$  Volt ( $V_{ds}$ : internal Drain to Source voltage).
- N°2: Do not bias in such a way that  $V_{gs}^*$  becomes positive. ( $V_{gs}$ : internal Gate to Source voltage)

### Typical biasing table and typical results in test Jig at 40 GHz

40GHz INTEST Jig	$V_{ds}$ (V)	$V_{g1}$ (V)	$V_{g2}$ (V)	$I_d$ (mA)	Typical NF (dB)	Typical Gain (dB)	Typical P <sub>1dB</sub> (dB)	Typical P <sub>sat</sub> (dB)
<i>Standard</i>	4	NC	NC	50	22	15	11	13
<i>Low Noise High linearity</i>	4.5	NC	1	60	22	15	12	14
<i>Low noise/low current consumption</i>	4	NC	-1	40	22	15	9.5	12
<i>Switch off</i>	3.5	-1	-8	0	X	X	X	X

## Ordering Information

Chip form : CHA2190-99F/00

Information furnished is believed to be accurate and reliable. However **United Monolithic Semiconductors S.A.S.** assumes no responsibility for the consequences of use of such information nor for any infringement of patents or other rights of third parties which may result from its use. No license is granted by implication or otherwise under any patent or patent rights of **United Monolithic Semiconductors S.A.S.**. Specifications mentioned in this publication are subject to change without notice. This publication supersedes and replaces all information previously supplied. **United Monolithic Semiconductors S.A.S.** products are not authorized for use as critical components in life support devices or systems without express written approval from **United Monolithic Semiconductors S.A.S.**