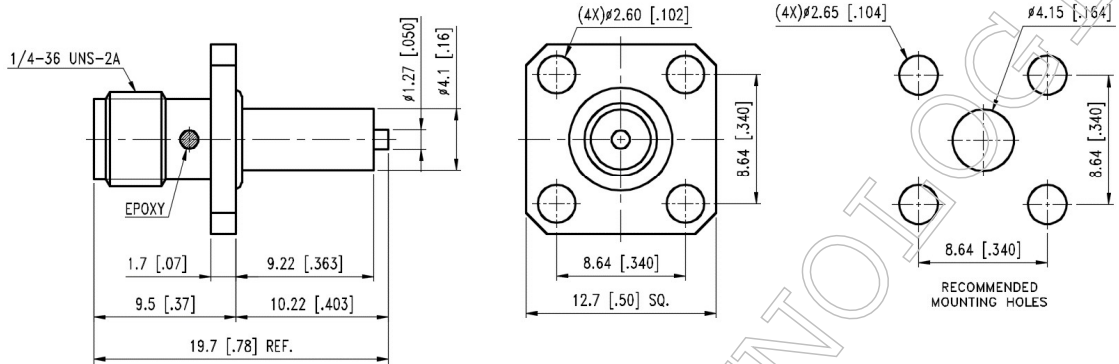


▪ **Outline Dimension Drawing**

Dimensions: mm[inch]



▪ **Material Specification**

| Description | Material | Plating |
|-------------|-----------------|-----------|
| Body | Stainless Steel | Passivate |
| Contact | BeCu | Gold |
| Dielectric | PTFE | |
| Gasket | S.I.R | Black |

In the effort to improve our products, we reserve the right to make changes judged to be necessary

▪ Electrical Specification

| Description | | Description | |
|---------------------------------|----------------|--------------------------|--------------|
| Impedance | 50 Ω | Insulation Resistance | 5000 MΩ Min. |
| Frequency | 18 GHz | Inner Contact Resistance | 6 mΩ Max. |
| VSWR | 1.25 Max. | Outer Contact Resistance | 2 mΩ Max. |
| Insertion Loss | 0.25 dB Max. | | |
| Voltage Rating | 500 Vrms Max. | | |
| Dielectric Withstanding Voltage | 1000 Vrms Max. | | |

▪ Mechanical Specification

| Description | | Description | |
|--------------------------|------------|------------------------|-------------|
| Center Contact | | Recommended Torque | 7~9 in. lbs |
| Axial Force-Mating End | 6 lbs. | Coupling Nut Retention | N/A in. lbs |
| Axial Force-Opposite End | 6 lbs. | | |
| Connector Durability | 500 cycles | | |
| Weight | N/A g | | |

▪ Environmental Specification

| Description | | Description | |
|------------------|--------|-------------|--|
| Temperature Min. | -65 °C | | |
| Temperature Max. | 165 °C | | |
| Hermetic Seal | N/A | | |

In the effort to improve our products, we reserve the right to make changes judged to be necessary