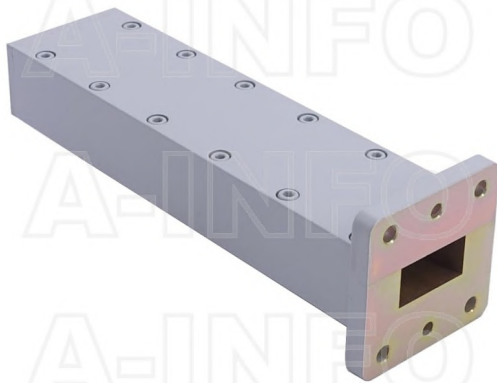


75WPL_PB WR75 Waveguide Precision Load 10-15GHz with Rectangular Waveguide Interface



WR75 Waveguide Precision Load Operating From 10 to 15GHz with Rectangular Waveguide Interface

Product Information

| | |
|-----|----------|
| SKU | 75WPL_PB |
|-----|----------|

Description

Waveguide precision load 75WPL_PB, operating from 10 to 15GHz and low VSWR 1.02:1. 75WPL_PB covers the 75WPL_PB sub waveguide band and comes with one flange APF75B. It can handle 2 continuously and 2 peak power. A-INFO Precision Flange(APF) is available for this series. The WPL series low power waveguide fixed terminations are precision, low VSWR terminations suited to a wide variety of precision laboratory applications. The typical applications include full band one-Interface calibration and full two-Interface, isolation calibration. TRM (Thru-Reflect-Match) and SSLT (Short-Short-Load- Thru) calibration methods are supInterfaceed.

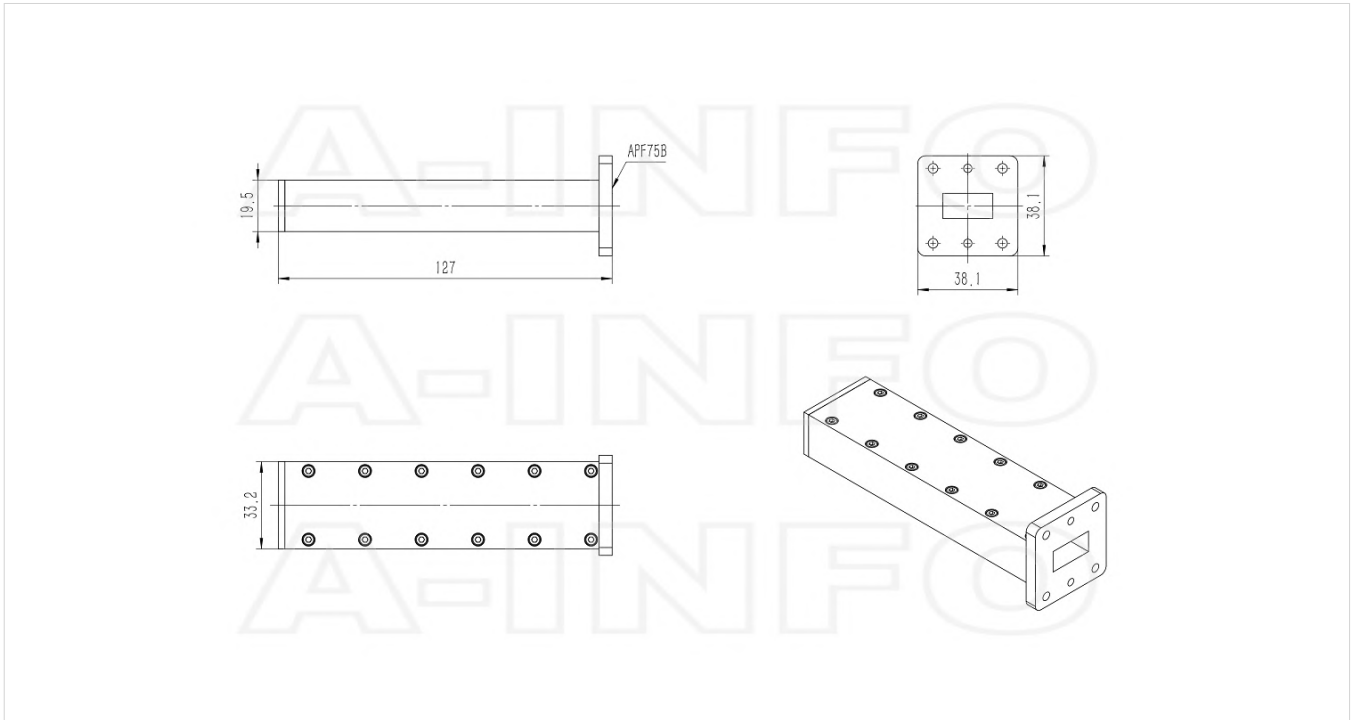
Technical Specification

| Electrical Specification | | Mechanical Specification | |
|----------------------------|-------------|-----------------------------|--------|
| WG Load Type | Precision | Body Material | Al |
| Waveguide Band | X Ku | Size, L (mm) | 127 |
| Waveguide Type | Rectangular | Size, W (mm) | 38.1 |
| Waveguide Size EIA WR | WR75 | Size, H (mm) | 38.1 |
| Frequency, Min (GHz) | 10 | Weight, (kg) | 0.195 |
| Frequency, Max (GHz) | 15 | Pressure Sealed | No |
| VSWR, Typ | 1.015:1 | Environmental Specification | |
| VSWR, Max | 1.02:1 | Operating Temp. Low (°C) | -55 |
| Power Handling, CW, (W) | 2 | Operating Temp. High (°C) | 85 |
| Power Handling, Peak, (KW) | 2 | Storage Temp. Low (°C) | -60 |
| Storage Temp. High (°C) | 90 | Interface | |
| Flange Style | Square | Flange Type | Cover |
| Flange Type | Cover | Flange Designation | APF75B |
| Flange Designation | APF75B | | |

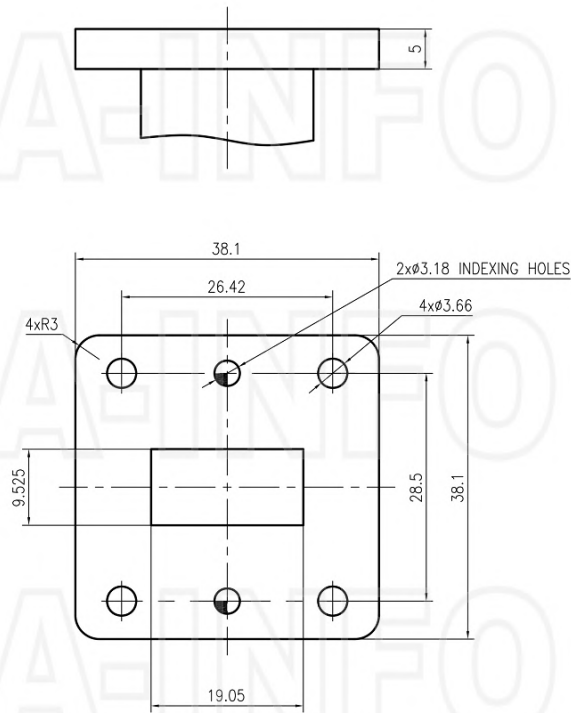
Additional Information

| | |
|-------------|---|
| Application | General Purpose Indoor & Outdoor, Fixed |
|-------------|---|

Outline Drawing



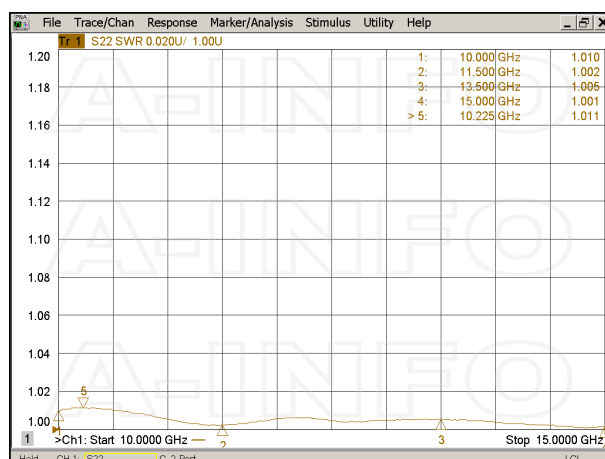
Flange Drawing



APF75B

Typical Test Results

VSWR



About this Datasheet

| | | |
|---|--|---|
| <ul style="list-style-type: none">● Product Information Product Link: https://www.ainfoinc.com/75wpl-pb-wr75-waveguide-precision-load-10-15-ghz-apf75b Data subject to change without notice. © A-INFO INC. 2024. All Rights Reserved | <ul style="list-style-type: none">● Contact Us Address: 60 Tesla, Irvine, CA 92618, USA Website: www.ainfoinc.com Email: sales@ainfoinc.com | <ul style="list-style-type: none">● Phone & Fax Phone: +1-949-639-9688 +1-949-639-9608 Fax: +1-949-639-9670 |
|---|--|---|