

15WET_Cu WR15 Waveguide E-Plane Tee 50-75GHz with Three Rectangular Waveguide Interfaces



WR15 Waveguide E-Plane Tee Operating From 50 to 75GHz with Three Rectangular Waveguide Interfaces

Product Information

SKU	15WET_Cu
-----	----------

Description

Waveguide E-plane tee 15WET_Cu, operating from 50 to 75GHz with a 0.5dB insertion loss and low VSWR 1.30:1. 15WET_Cu is a three-ports waveguide connector. All the ports have standard WR15 waveguides with the same flanges FUGP620(UG-385/U). The waveguide E-plane tees are used to separate the signal at E plane rectangular port into the collinear arm with the two rectangular waveguide ports or synthesize the signal from the two ports of the collinear arm into the E plane port.

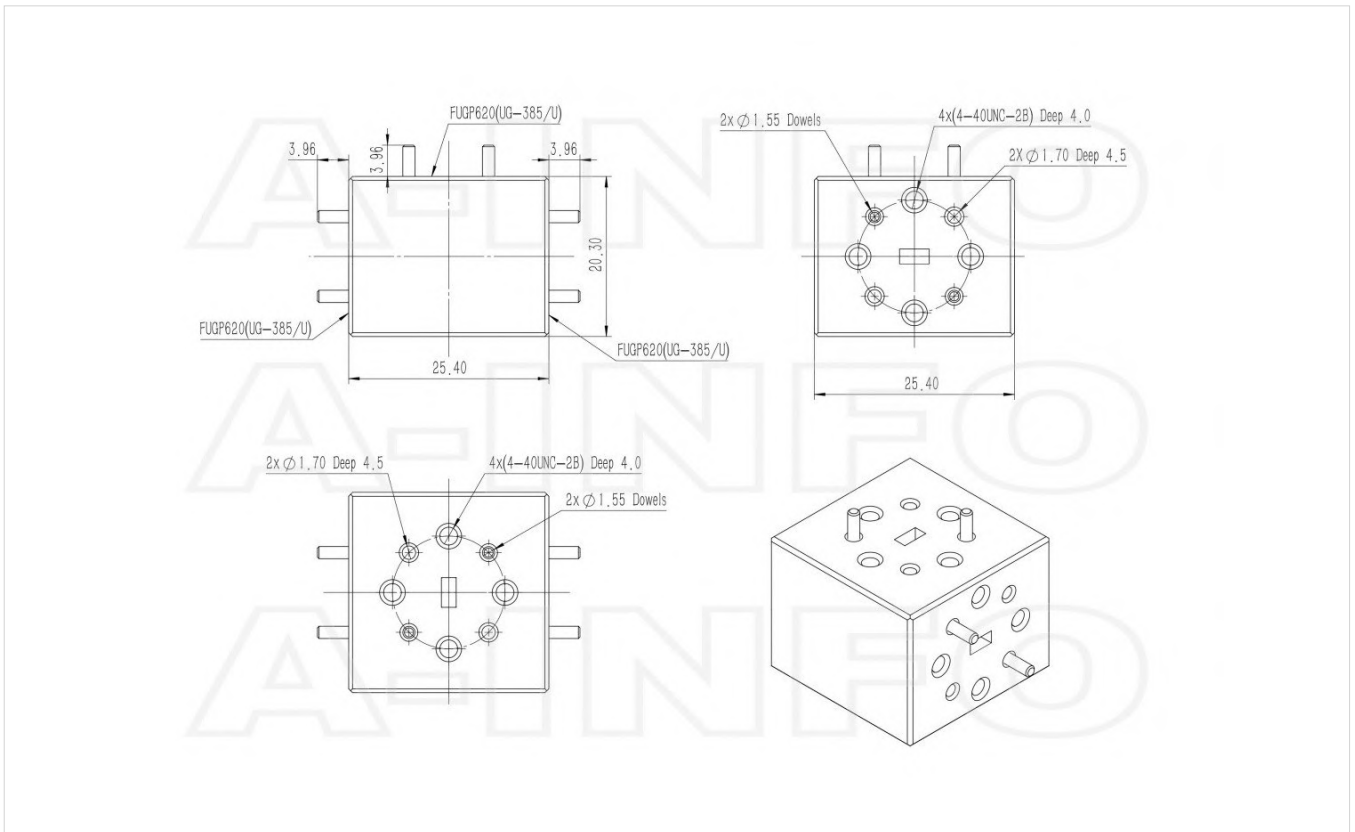
Technical Specification

Electrical Specification		Interface	
WG Tee Type	E-Plane Tee	Flange 3 Style	Round
Waveguide Band	V	Flange 3 Type	Cover
Waveguide Type	Rectangular	Flange 3 Designation	FUGP620(UG-385/U)
Waveguide Size EIA WR	WR15	Mechanical Specification	
Frequency, Min (GHz)	50	Body Material	Cu
Frequency, Max (GHz)	75	Size, L (mm)	25.4
I.L., Typ (dB)	0.5	Size, W (mm)	25.4
I.L., Max (dB)	1	Size, H (mm)	20.3
VSWR, Typ	1.30:1	Weight, (kg)	0.1
Amplitude Balance, Max (\pm dB)	0.4	Pressure Sealed	No
Phase Balance, Max (Deg.)	3	Environmental Specification	
Power Handling, CW, (W)	11	Operating Temp. Low ($^{\circ}$ C)	-55
Power Handling, Peak, (KW)	7	Operating Temp. High ($^{\circ}$ C)	85
Interface		Storage Temp. Low ($^{\circ}$ C)	-60
Flange 1 Style	Round	Storage Temp. High ($^{\circ}$ C)	90
Flange 1 Type	Cover		
Flange 1 Designation	FUGP620(UG-385/U)		
Flange 2 Style	Round		
Flange 2 Type	Cover		
Flange 2 Designation	FUGP620(UG-385/U)		

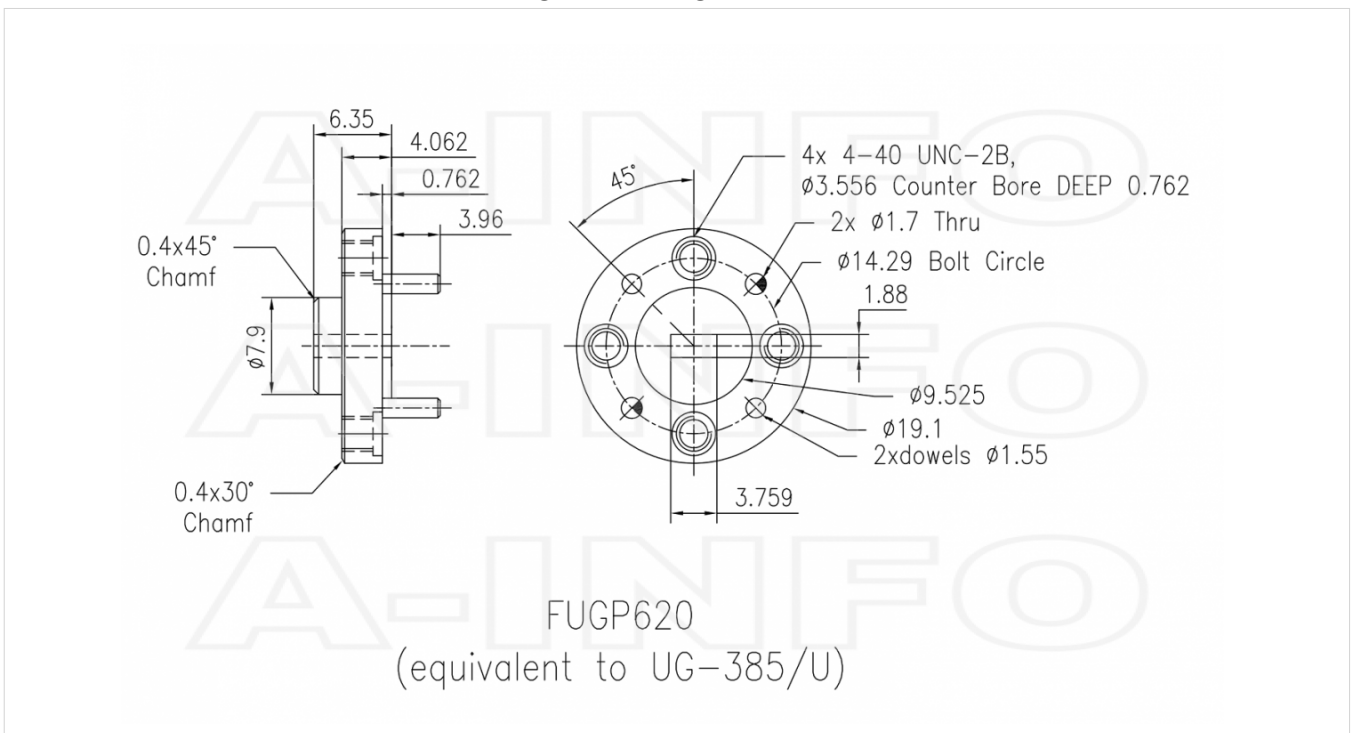
Additional Information

Application	General Purpose Indoor & Outdoor, Fixed
-------------	---

Outline Drawing(Size: mm)

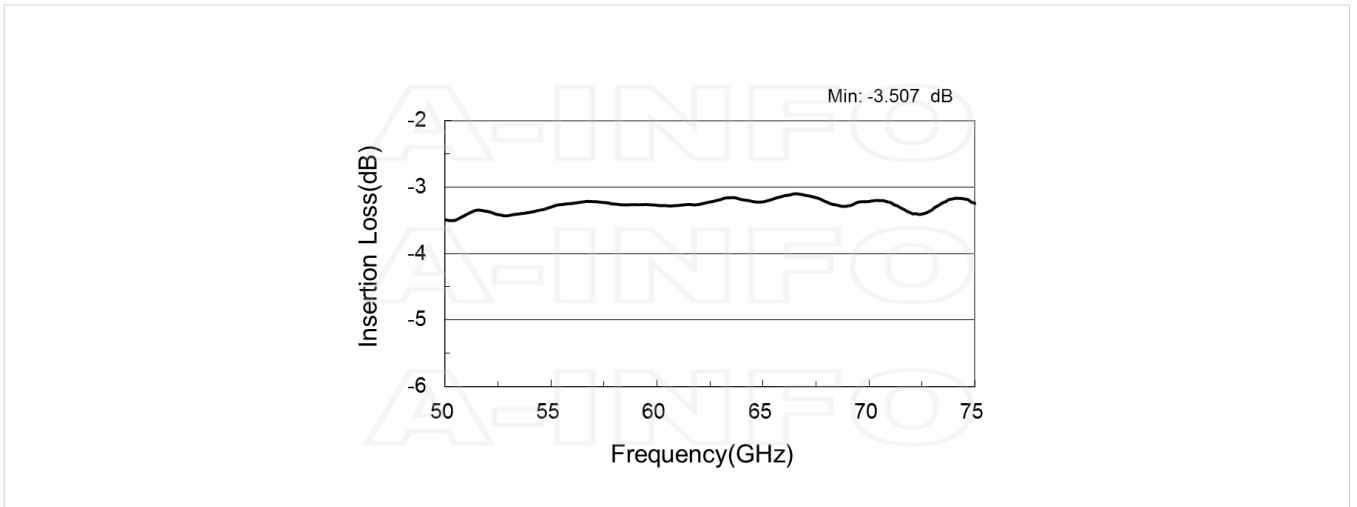


Flange Drawing(Size: mm)

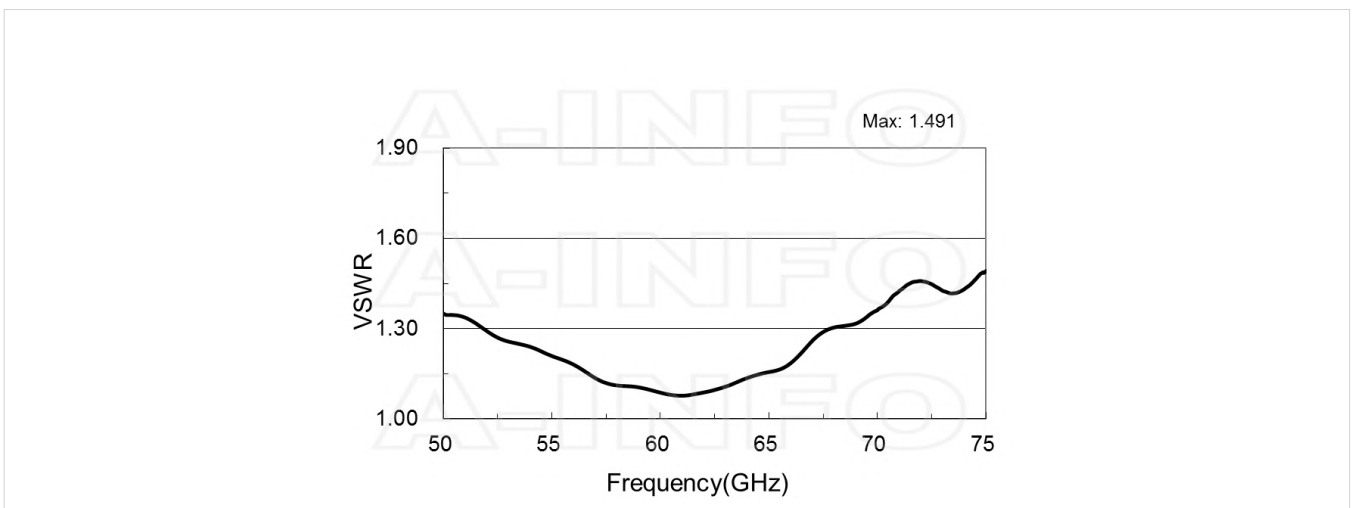


Typical Test Results

Insertion Loss(Including the theoretical loss 3.0dB)

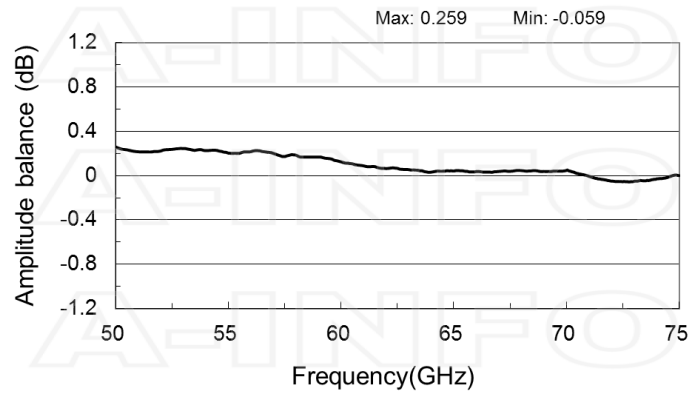


VSWR

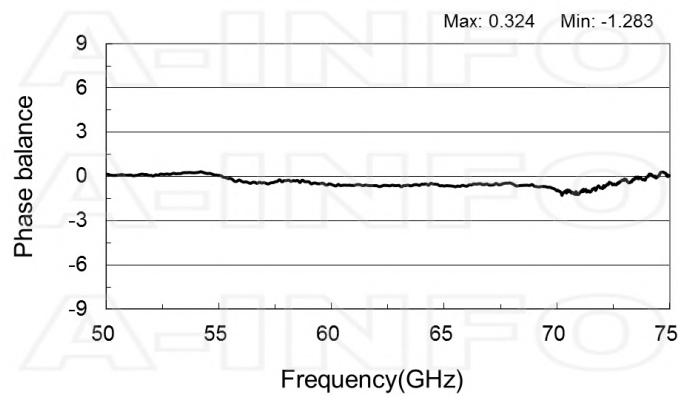


Amplitude Balance & Phase Balance

Amplitude Balance



Phase Balance



Similar Products



15WMT_Cu WR15 Waveguide Magic Tee 50-75GHz with Four Rectangular Waveguide Interfaces



19WMT_Cu WR19 Waveguide Magic Tee 40-60GHz with Four Rectangular Waveguide Interfaces



19WET_Cu WR19 Waveguide E-Plane Tee 40-60GHz with Three Rectangular Waveguide Interfaces



12WMT_Cu WR12 Waveguide Magic Tee 60-90GHz with Four Rectangular Waveguide Interfaces



12WET_Cu WR12 Waveguide E-Plane Tee 60-90GHz with Three Rectangular Waveguide Interfaces

About this Datasheet

<ul style="list-style-type: none"> • Product Information Product Link: https://www.ainfoinc.com/15wet-cu-wr15-waveguide-e-plane-tee-50-75-ghz-fugp620-ug-385-u Data subject to change without notice. © A-INFO INC. 2024. All Rights Reserved 	<ul style="list-style-type: none"> • Contact Us Address: 60 Tesla, Irvine, CA 92618, USA Website: www.ainfoinc.com Email: sales@ainfoinc.com 	<ul style="list-style-type: none"> • Phone & Fax Phone: +1-949-639-9688 +1-949-639-9608 Fax: +1-949-639-9670
---	--	---