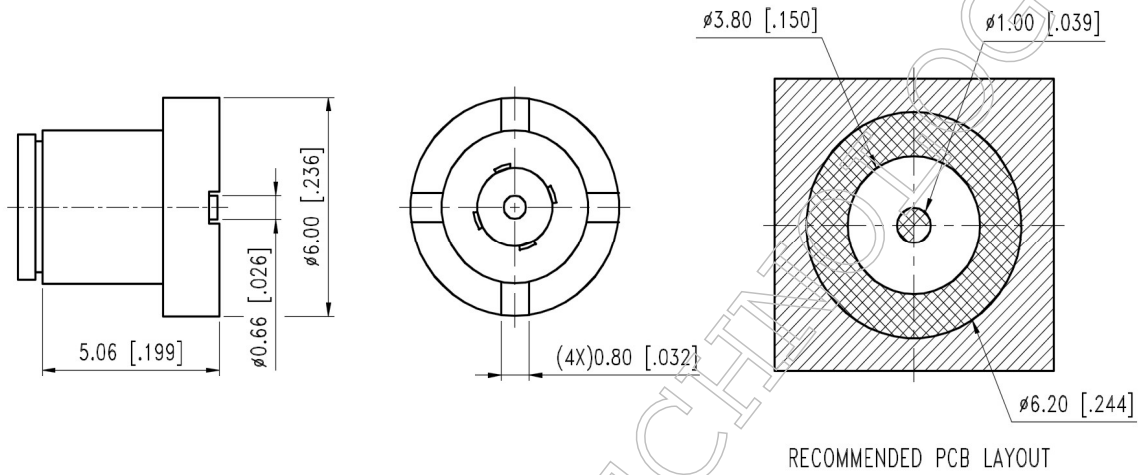


▪ **Outline Dimension Drawing**

Dimensions: mm[inch]



▪ **Material Specification**

Description	Material	Plating
Body	Brass	Nickel
Contact	BeCu	Gold
Dielectric	PTFE	
Cap	PTFE	

In the effort to improve our products, we reserve the right to make changes judged to be necessary



▪ **Electrical Specification**

Description		Description	
Impedance	50 Ω	Insulation Resistance	5000 MΩ Min.
Frequency	12 GHz	Inner Contact Resistance	6 mΩ Max.
VSWR	1.3 Max.	Outer Contact Resistance	2 mΩ Max.
Insertion Loss	0.41 dB Max.		
Voltage Rating	335 Vrms Max.		
Dielectric Withstanding Voltage	500 Vrms Max.		

▪ **Mechanical Specification**

Description		Description	
Engagement Force			
Limited Detent	10 lbs. Max.		
Disengagement Force			
Limited Detent	2 lbs. Min.		
Connector Durability	500 matings min.		
Center Contact			
Axial Force-Mating End	1.5 lbs.		
Axial Force-Opposite End	1.5 lbs.		
Weight	N/A g		

▪ **Environmental Specification**

Description		Description	
Temperature Min.	-55 °C		
Temperature Max.	125 °C		
Hermetic Seal	N/A		

In the effort to improve our products, we reserve the right to make changes judged to be necessary