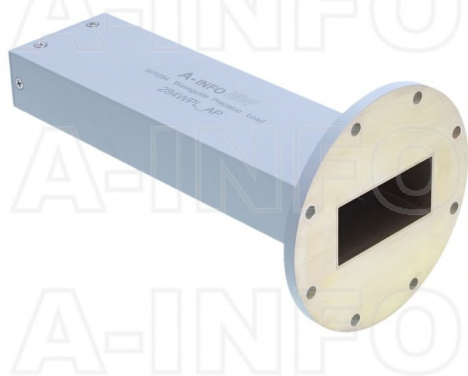


284WPL_AP WR284 Waveguide Precision Load 2.6-3.95GHz with Rectangular Waveguide Interface



WR284 Waveguide Precision Load Operating From 2.6 to 3.95GHz with Rectangular Waveguide Interface

Product Information

SKU	284WPL_AP
-----	-----------

Description

Waveguide precision load 284WPL_AP, operating from 2.6 to 3.95GHz and low VSWR 1.025:1. 284WPL_AP covers the 284WPL_AP sub waveguide band and comes with one flange FAP32(UAR32). It can handle 10 continuously and 10 peak power. A-INFO Precision Flange(APF) is available for this series. The WPL series low power waveguide fixed terminations are precision, low VSWR terminations suited to a wide variety of precision laboratory applications. The typical applications include full band one-Interface calibration and full two-Interface, isolation calibration. TRM (Thru-Reflect-Match) and SSLT (Short-Short-Load- Thru) calibration methods are supInterfaceed.

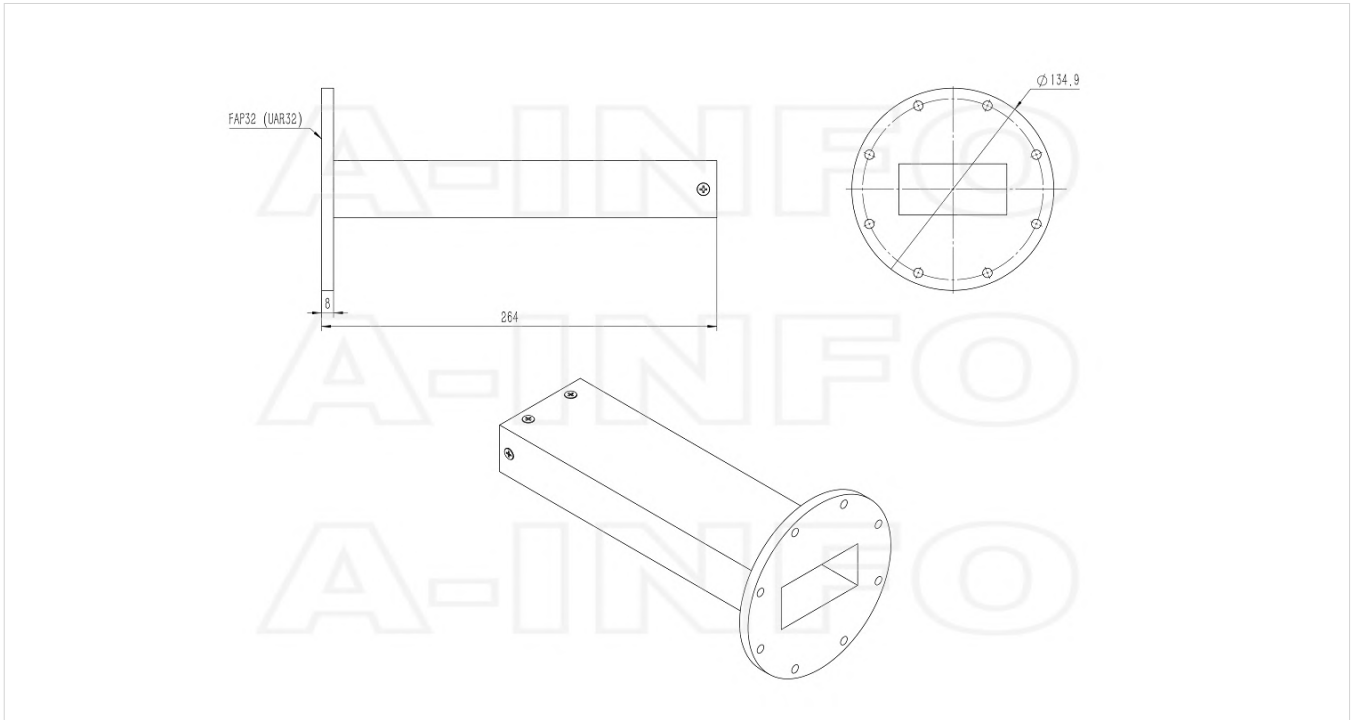
Technical Specification

Electrical Specification		Mechanical Specification	
WG Load Type	Precision	Body Material	Al
Waveguide Band	S	Size, L (mm)	264
Waveguide Type	Rectangular	Size, W (mm)	134.9
Waveguide Size EIA WR	WR284	Size, H (mm)	134.9
Frequency, Min (GHz)	2.6	Weight, (kg)	0.97
Frequency, Max (GHz)	3.95	Pressure Sealed	No
VSWR, Typ	1.02:1	Environmental Specification	
VSWR, Max	1.025:1	Operating Temp. Low (°C)	-55
Power Handling, CW, (W)	10	Operating Temp. High (°C)	85
Power Handling, Peak, (KW)	10	Storage Temp. Low (°C)	-60
Interface		Storage Temp. High (°C)	90
Flange Style	Round		
Flange Type	Cover		
Flange Designation	FAP32(UAR32)		

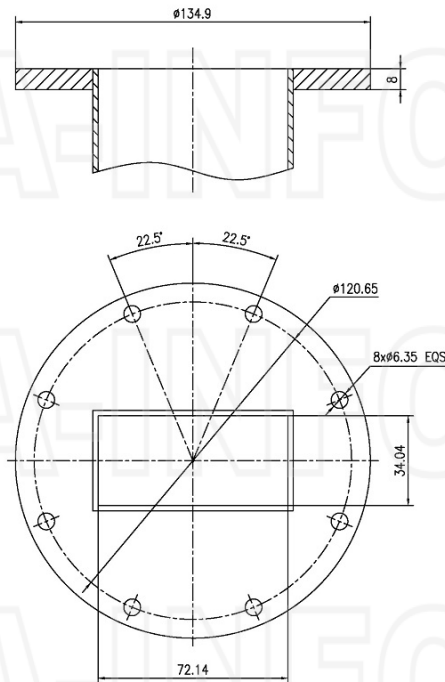
Additional Information

Application	General Purpose Indoor & Outdoor, Fixed
-------------	---

Outline Drawing



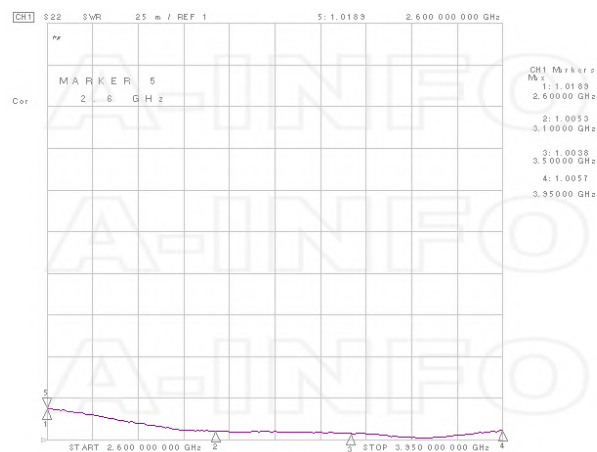
Flange Drawing



FAP32

Typical Test Results

VSWR



About this Datasheet

<ul style="list-style-type: none">● Product Information <p>Product Link: https://www.ainfoinc.com/284wpl-ap-wr284-waveguide-precision-load-2-6-3-95-ghz-fap32-uar32 Data subject to change without notice. © A-INFO INC. 2024. All Rights Reserved</p>	<ul style="list-style-type: none">● Contact Us <p>Address: 60 Tesla, Irvine, CA 92618, USA</p> <p>Website: www.ainfoinc.com</p> <p>Email: sales@ainfoinc.com</p>	<ul style="list-style-type: none">● Phone & Fax <p>Phone: +1-949-639-9688 +1-949-639-9608</p> <p>Fax: +1-949-639-9670</p>
--	---	--