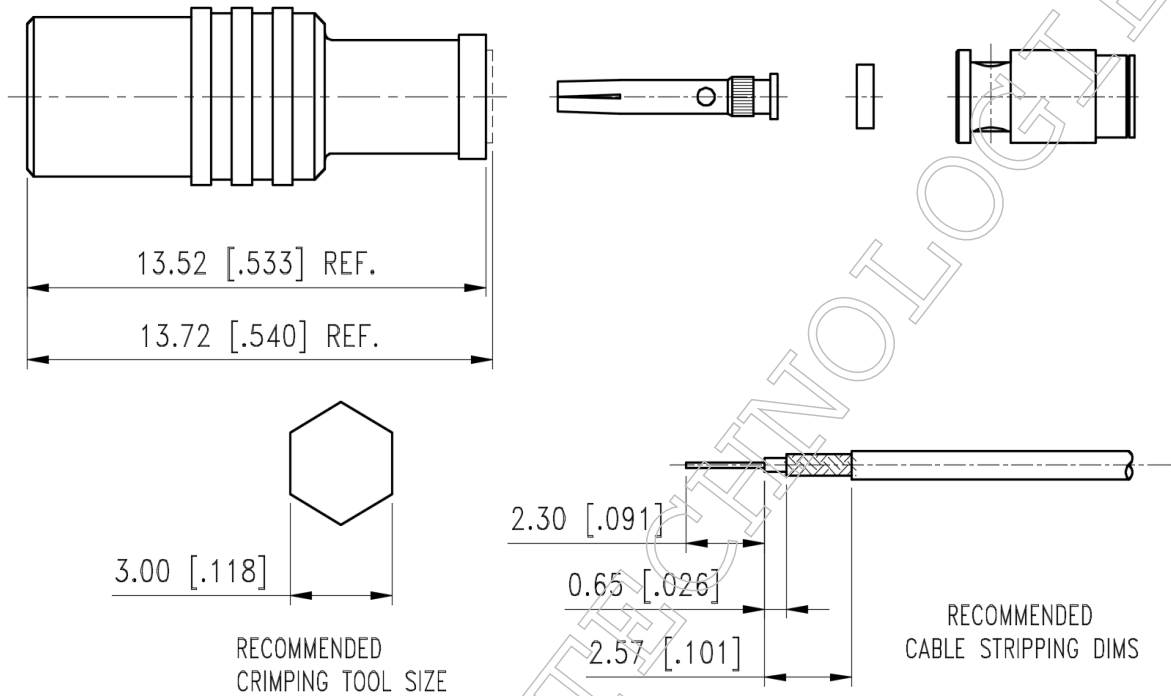


▪ **Outline Dimension Drawing**

Dimensions: mm[inch]



▪ **Material Specification**

Description	Material	Plating
Body	Brass	Gold
Contact	BeCu	Gold
Dielectric*2	PTFE	
Ferrule	Brass	Gold

In the effort to improve our products, we reserve the right to make changes judged to be necessary

**▪ Electrical Specification**

Description		Description	
Impedance	50 Ω	Insulation Resistance	1000 MΩ Min.
Frequency	6 GHz	Inner Contact Resistance	5 mΩ Max.
VSWR	1.25 Max.	Outer Contact Resistance	2.5 mΩ Max.
Insertion Loss	0.15 dB Max.		
Voltage Rating	250 Vrms Max.		
Dielectric Withstanding Voltage	500 Vrms Max.		

**▪ Mechanical Specification**

Description		Description	
Center Contact Retention	N/A lbs. Min.		
Engagement Force	5.6 lbs. Max.		
Disengagement Force	4.5 lbs. Max.		
Connector Durability	500 matings min.		
Weight	N/A g		

**▪ Environmental Specification**

Description		Description	
Temperature Min.	-55 °C		
Temperature Max.	155 °C		
Hermetic Seal	N/A		

In the effort to improve our products, we reserve the right to make changes judged to be necessary