



28WET_Cu WR28 Waveguide E-Plane Tee 26.5-40GHz with Three Rectangular Waveguide Interfaces

WR28 Waveguide E-Plane Tee Operating From 26.5 to 40GHz with Three Rectangular Waveguide Interfaces

Product Information

SKU	28WET_Cu
-----	----------

Description

Waveguide E-plane tee 28WET_Cu, operating from 26.5 to 40GHz with low VSWR 1.50:1. 28WET_Cu is a three-ports waveguide connector. All the ports have standard WR28 waveguides with the same flanges FBP320(UBR320). The waveguide E-plane tees are used to separate the signal at E plane rectangular port into the collinear arm with the two rectangular waveguide ports or synthesize the signal from the two ports of the collinear arm into the E plane port.

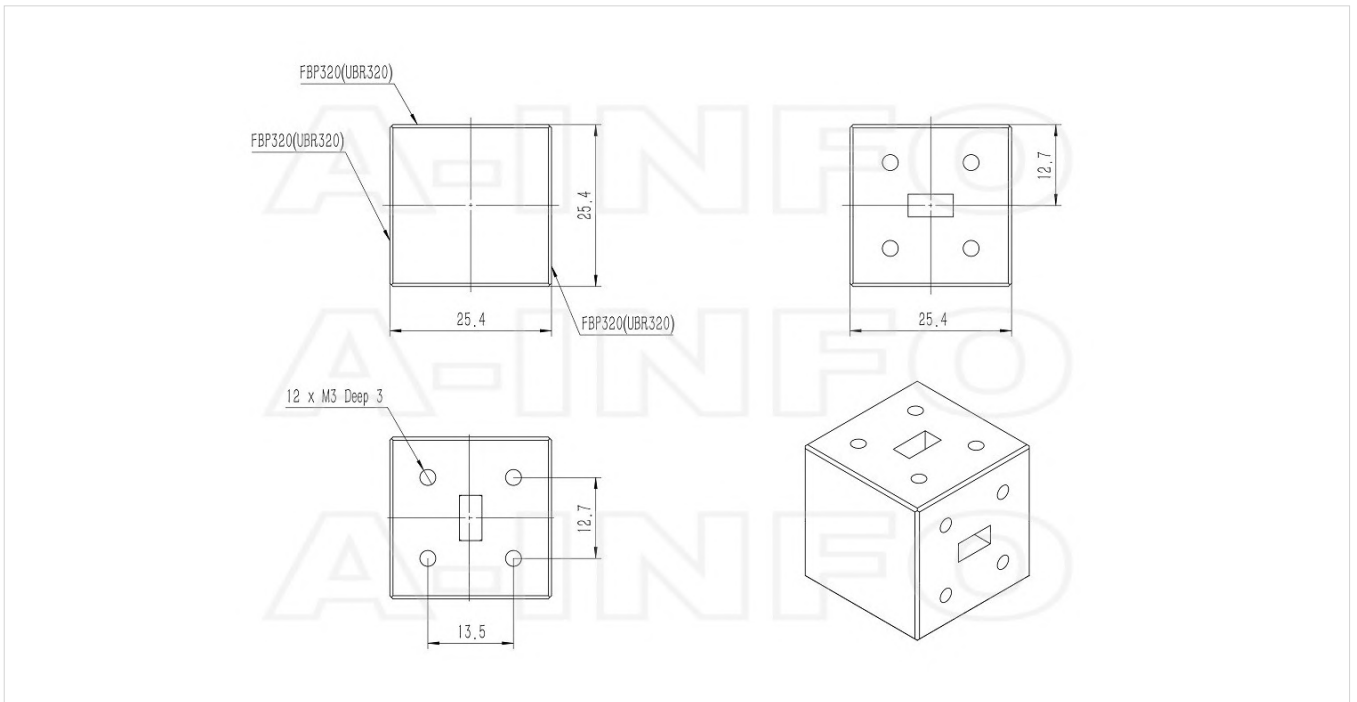
Technical Specification

Electrical Specification		Interface	
WG Tee Type	E-Plane Tee	Flange 3 Style	Square
Waveguide Band	Ka	Flange 3 Type	Cover
Waveguide Type	Rectangular	Flange 3 Designation	FBP320(UBR320)
Waveguide Size EIA WR	WR28	Mechanical Specification	
Frequency, Min (GHz)	26.5	Body Material	Cu
Frequency, Max (GHz)	40	Finish	Gold Plated
I.L., Max (dB)	0.5	Size, L (mm)	25.4
VSWR, Typ	1.50:1	Size, W (mm)	25.4
Amplitude Balance, Max (\pm dB)	0.3	Size, H (mm)	25.4
Phase Balance, Max (Deg.)	5	Weight, (kg)	0.1
Power Handling, CW, (W)	36	Pressure Sealed	No
Power Handling, Peak, (KW)	25	Environmental Specification	
Interface		Operating Temp. Low ($^{\circ}$ C)	-55
Flange 1 Style	Square	Operating Temp. High ($^{\circ}$ C)	85
Flange 1 Type	Cover	Storage Temp. Low ($^{\circ}$ C)	-60
Flange 1 Designation	FBP320(UBR320)	Storage Temp. High ($^{\circ}$ C)	90
Flange 2 Style	Square		
Flange 2 Type	Cover		
Flange 2 Designation	FBP320(UBR320)		

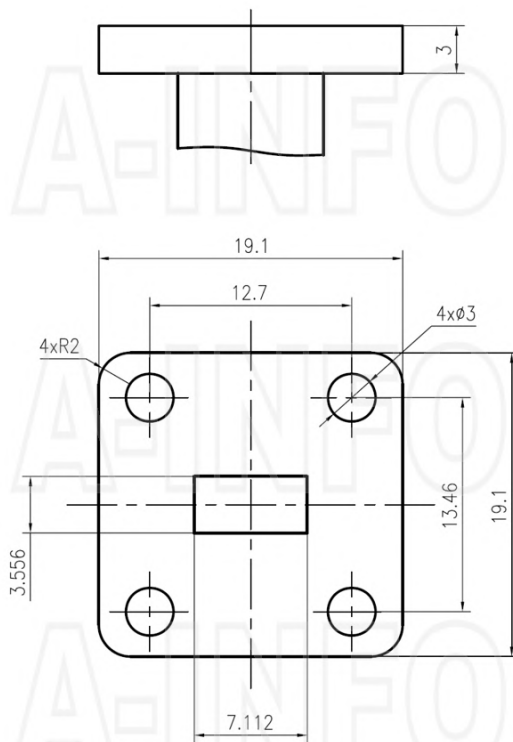
Additional Information

Application	General Purpose Indoor & Outdoor, Fixed
-------------	---

Outline Drawing(Size: mm)



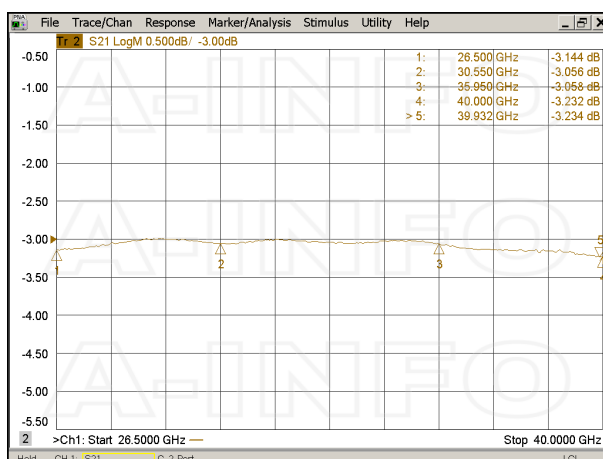
Flange Drawing(Size: mm)



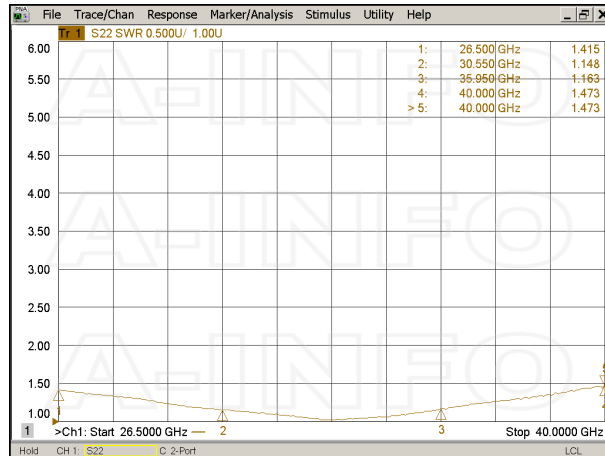
FBP320

Typical Test Results

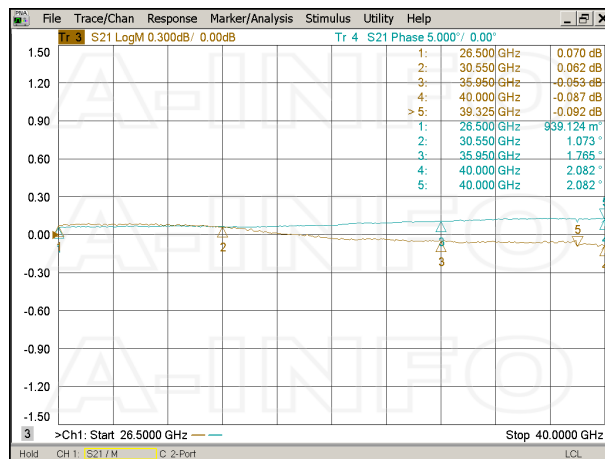
Insertion Loss(Including the theoretical loss 3.0dB)



VSWR



Amplitude Balance & Phase Balance



Similar Products



28WHT_Cu WR28 Waveguide H-Plane Tee 26.5-40GHz with Three Rectangular Waveguide Interfaces



28WMT_Cu WR28 Waveguide Magic Tee 26.5-40GHz with Four Rectangular Waveguide Interfaces



34WET_Cu WR34 Waveguide E-Plane Tee 22-33GHz with Three Rectangular Waveguide Interfaces



34WHT_Cu WR34 Waveguide H-Plane Tee 22-33GHz with Three Rectangular Waveguide Interfaces



34WMT_Cu WR34 Waveguide Magic Tee 22-33GHz with Four Rectangular Waveguide Interfaces



22WMT_Cu WR22 Waveguide Magic Tee 33-50GHz with Four Rectangular Waveguide Interfaces



22WET_Cu WR22 Waveguide E-Plane Tee 33-50GHz with Three Rectangular Waveguide Interfaces

About this Datasheet

<ul style="list-style-type: none"> • Product Information Product Link: https://www.ainfoinc.com/28wet-cu-wr28-waveguide-e-plane-tee-26-5-40-ghz-fbp320-ubr320 Data subject to change without notice. © A-INFO INC. 2024. All Rights Reserved 	<ul style="list-style-type: none"> • Contact Us Address: 60 Tesla, Irvine, CA 92618, USA Website: www.ainfoinc.com Email: sales@ainfoinc.com 	<ul style="list-style-type: none"> • Phone & Fax Phone: +1-949-639-9688 +1-949-639-9608 Fax: +1-949-639-9670
---	--	--