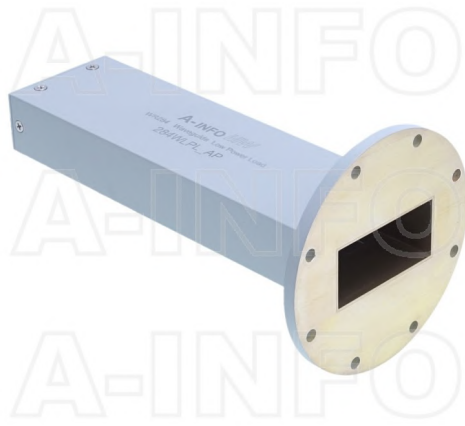


284WLPL_AP WR284 Waveguide Low Power Load 2.6-3.95GHz with Rectangular Waveguide Interface



WR284 Waveguide Low Power Load Operating From 2.6 to 3.95GHz with Rectangular Waveguide Interface

Product Information

SKU	284WLPL_AP
-----	------------

Description

Waveguide low power load 284WLPL_AP, operating from 2.6 to 3.95GHz and low VSWR 1.05:1 284WLPL_AP covers the WR284 sub waveguide band and comes with one flange FAP32(UAR32). It can handle 10W continuously and 10KW peak power. The WLPL series are for general version, low VSWR terminations for system application. The typical applications include system or test bench set-ups and small moderate power dummy loads.

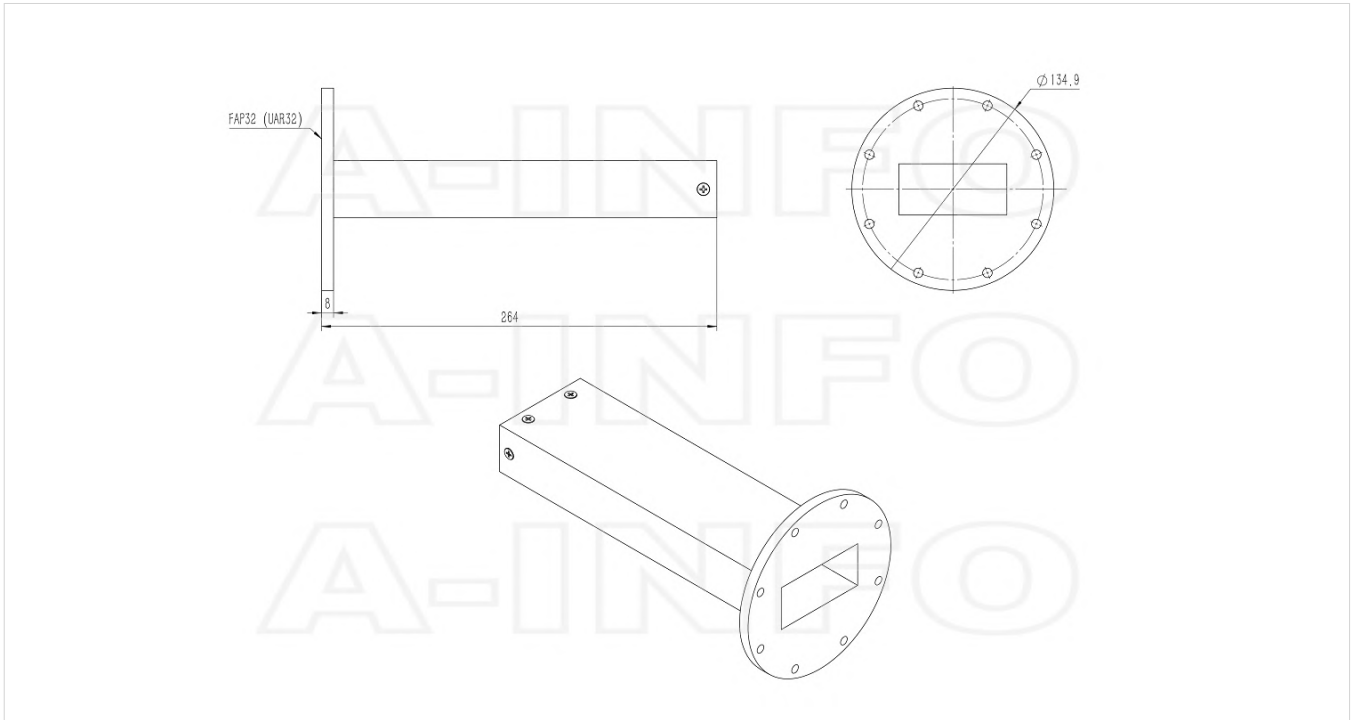
Technical Specification

Electrical Specification		Mechanical Specification	
WG Load Type	Low Power	Body Material	Al
Waveguide Band	S	Size, L (mm)	264
Waveguide Type	Rectangular	Size, W (mm)	134.9
Waveguide Size EIA WR	WR284	Size, H (mm)	134.9
Frequency, Min (GHz)	2.6	Weight, (kg)	0.97
Frequency, Max (GHz)	3.95	Pressure Sealed	No
VSWR, Typ	1.04:1	Environmental Specification	
VSWR, Max	1.05:1	Operating Temp. Low (°C)	-55
Power Handling, CW, (W)	10	Operating Temp. High (°C)	85
Power Handling, Peak, (KW)	10	Storage Temp. Low (°C)	-60
Interface		Storage Temp. High (°C)	90
Flange Style	Round		
Flange Type	Cover		
Flange Designation	FAP32(UAR32)		

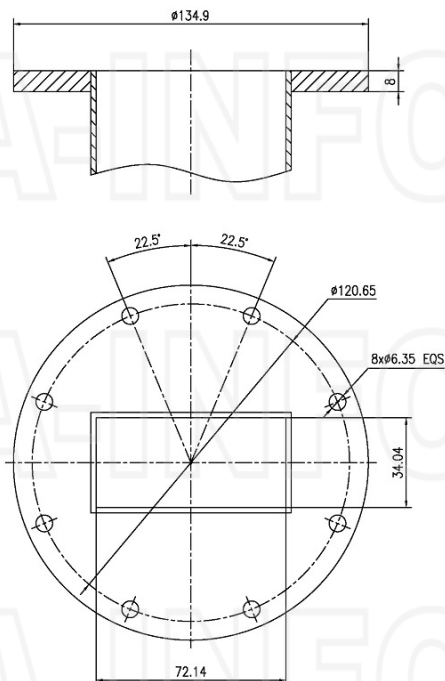
Additional Information

Application	General Purpose Indoor & Outdoor, Fixed
-------------	---

Outline Drawing



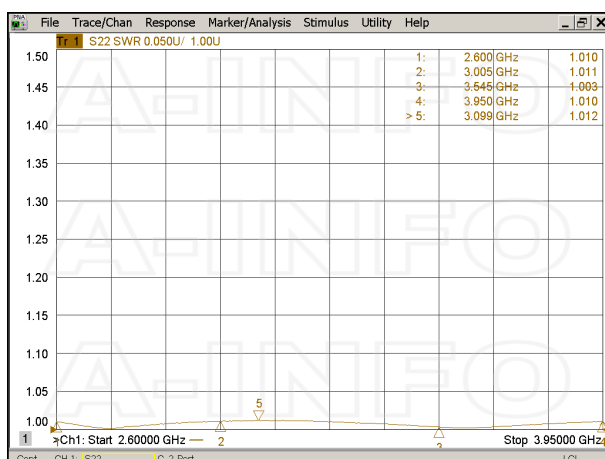
Flange Drawing



FAP32

Typical Test Results

VSWR



About this Datasheet

<ul style="list-style-type: none">● Product Information Product Link: https://www.ainfoinc.com/284wlp-ap-wr284-waveguide-low-power-load-2-6-3-95-ghz-fap32-uar32 Data subject to change without notice. © A-INFO INC. 2024. All Rights Reserved	<ul style="list-style-type: none">● Contact Us Address: 60 Tesla, Irvine, CA 92618, USA Website: www.ainfoinc.com Email: sales@ainfoinc.com	<ul style="list-style-type: none">● Phone & Fax Phone: +1-949-639-9688 +1-949-639-9608 Fax: +1-949-639-9670
--	--	--