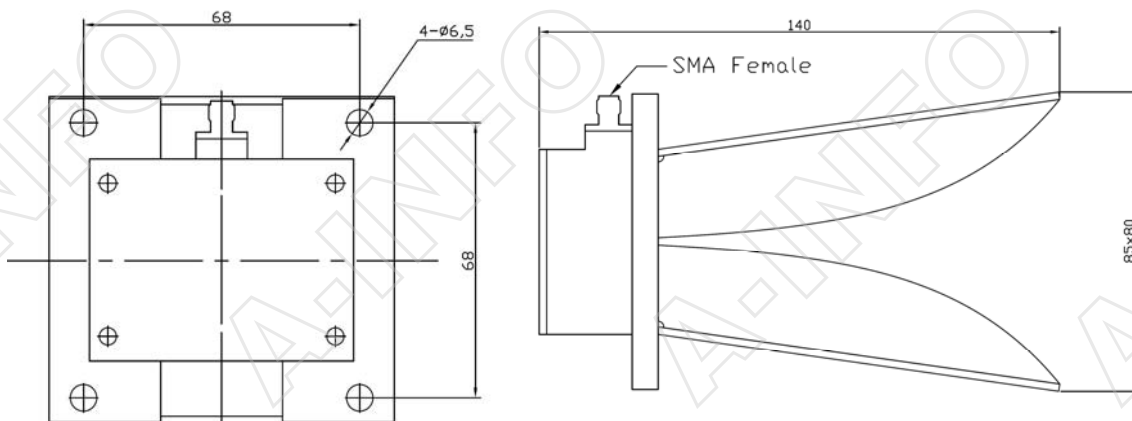


Technical Specification



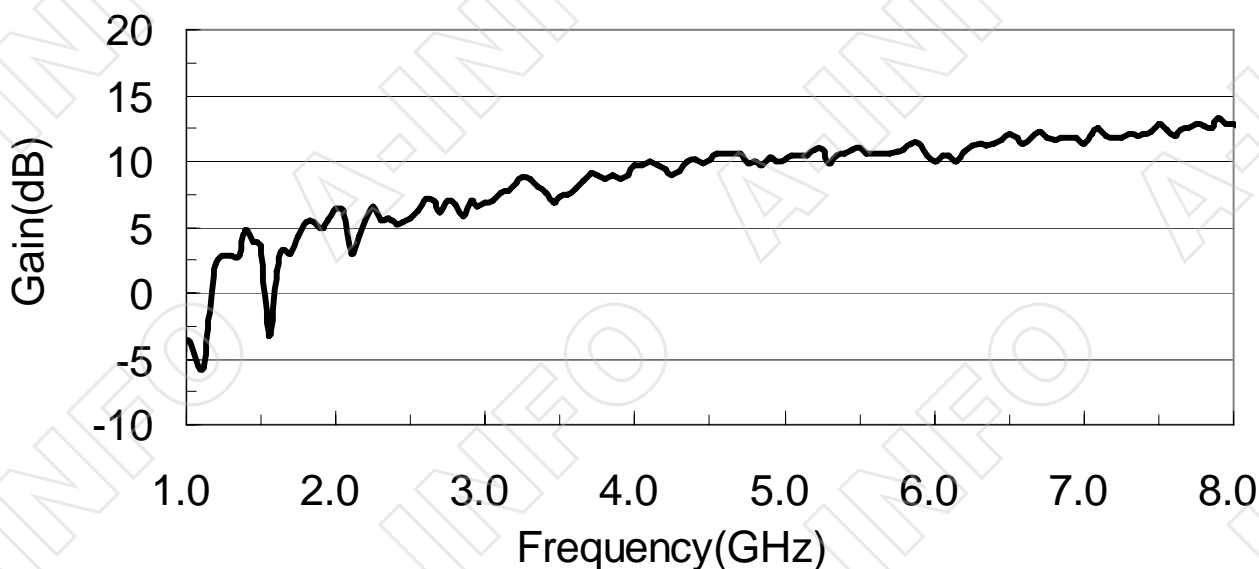
Frequency Range(GHz)	1 - 8	
Gain(dB)	1.8-13 Typ.	
Polarization	Linear	
VSWR	2.5:1 Typ.	
Connector	N-F/SMA-F	
Power Handling(W)	N-F	150 Max. CW
	SMA-F	50 Max. CW
Size(mm)	85x80x140	
Net Weight(Kg)	0.5 Around	

Outline Drawing (Size: mm)

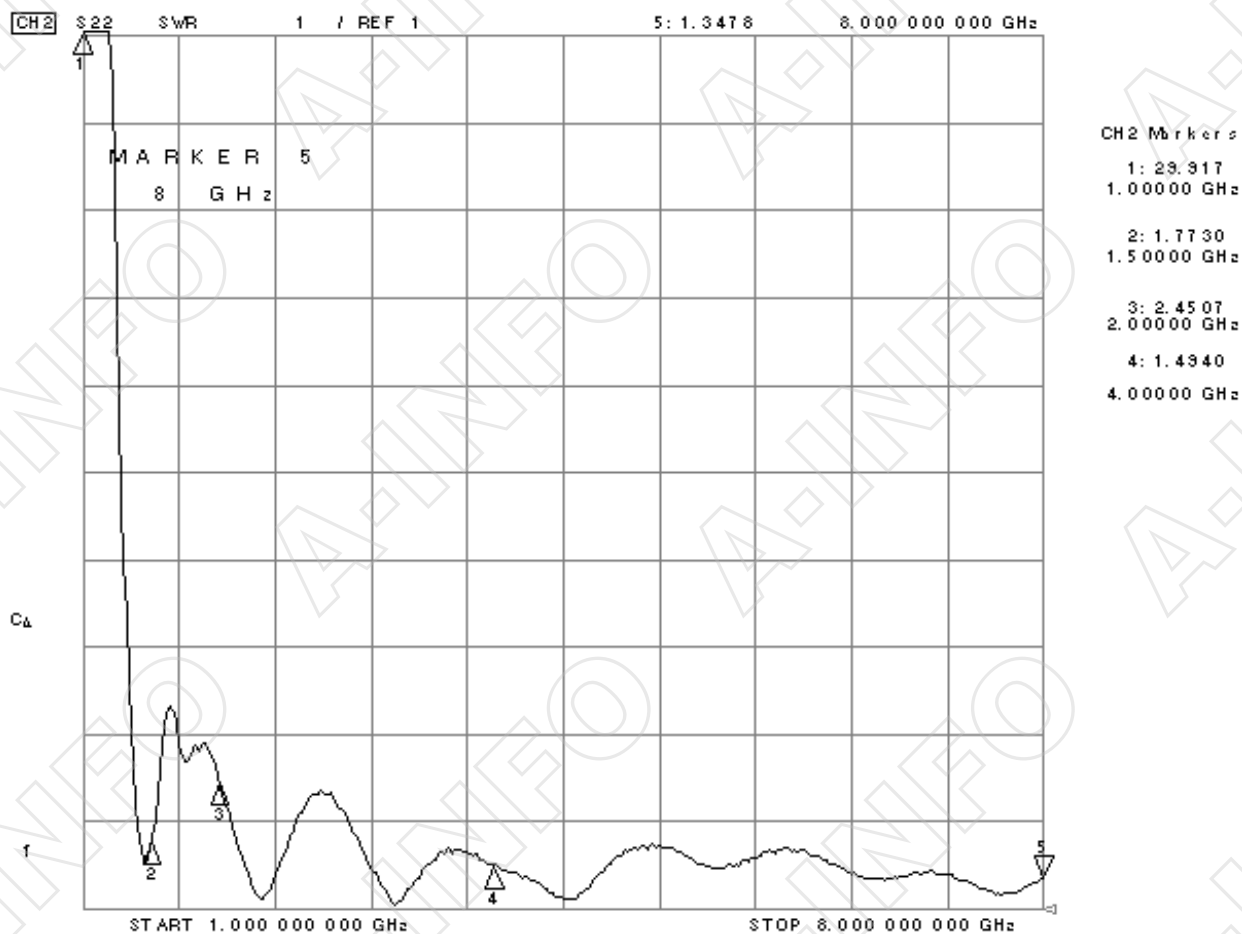


Test Results

1. Gain



2. VSWR



3. Pattern

