

## Technical Specification

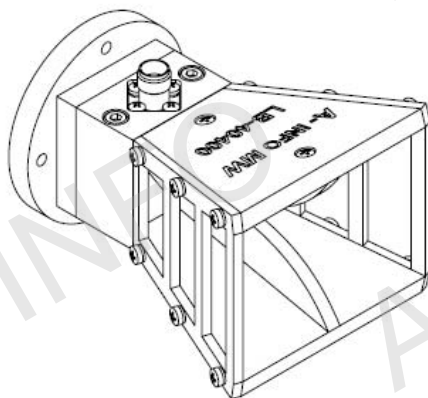
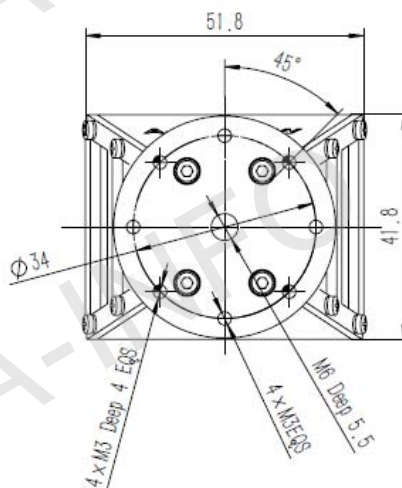
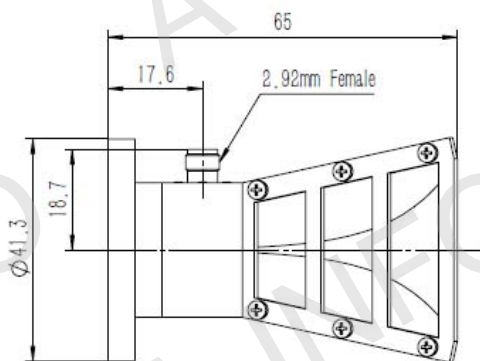


Frequency Range(GHz)	4.0 – 40.0
Gain(dB)	13 Typ.
Polarization	Linear
3dB Beamwidth(deg)	E Plane: 88 - 22
	H Plane: 87 - 16
Cross Pol. Isolation(dB)	35 Typ.
VSWR	1.5:1 Typ.
	2.0:1 Max.
Connector	2.92mm(K)-Female
	or 2.4mm-Female
Power Handling(W)	2.92mm-Female: 20 CW
	2.4mm-Female: 10 CW
Material	Al
Size(mm)	65 x 51.8 x 41.8
Net Weight(Kg)	0.1 Around

## Outline Drawing (Size: mm)

2.92mm Female Output

For 2.4mm-Female output outline drawing, please contact A-INFO.



AINFO Inc.

Page 1 of 12

China(Beijing):  
China(Chengdu):  
USA :

Tel: (+86) 10-6266-7326,  
Tel: (+86) 28-8519-2786,  
Tel: (+1) 949-639-9688,

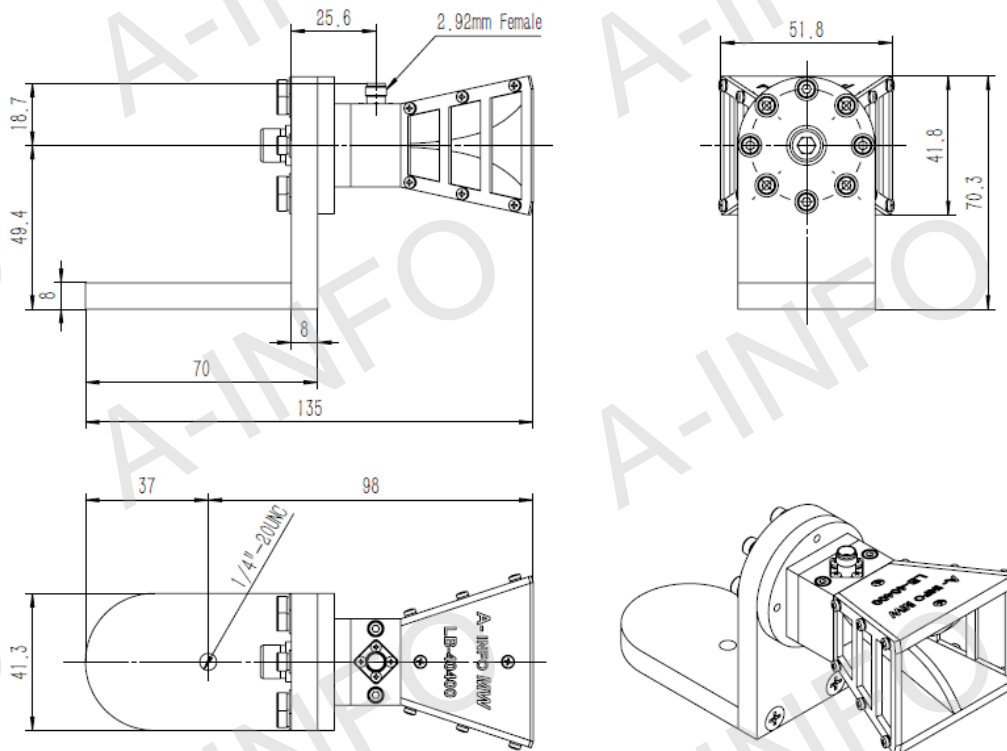
(+86) 10-6266-7327  
(+86) 28-8519-3044  
(+1) 949-639-9608

Fax: (+86) 10-6266-7379  
Fax: (+86) 28-8519-3068  
Fax: (+1) 949-639-9670

Website: [www.ainfoinc.com](http://www.ainfoinc.com)  
Email: [sales@ainfoinc.com](mailto:sales@ainfoinc.com)

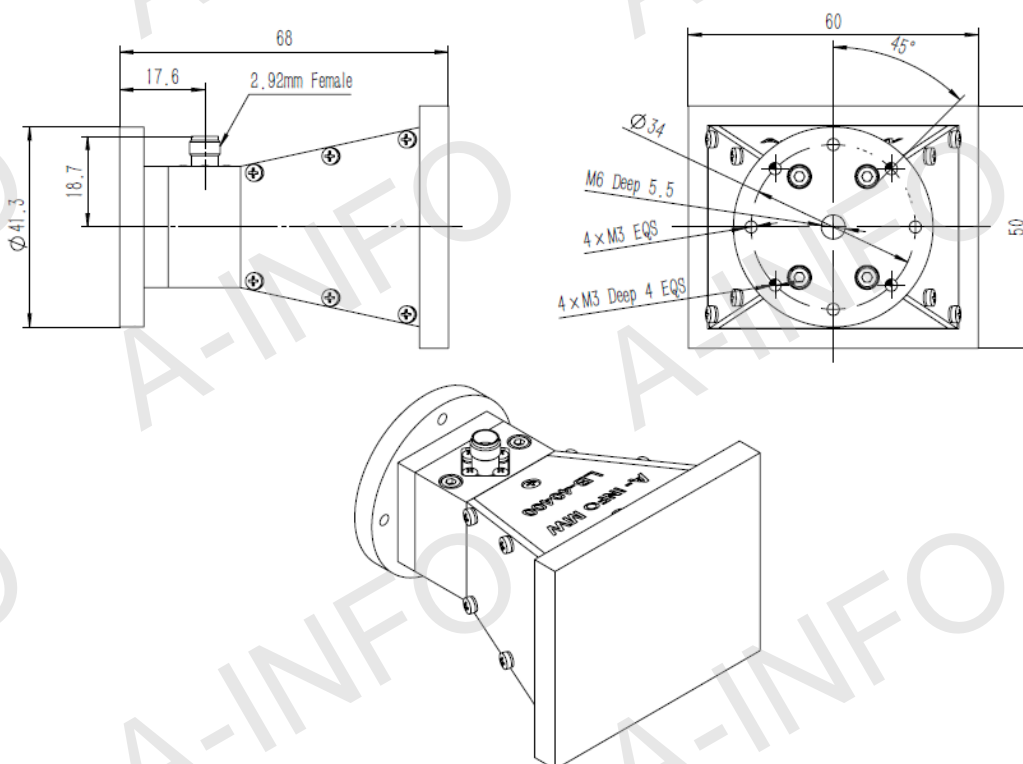
## 2.92mm Female Output with L type Mounting Bracket

For 2.4mm-Female output outline drawing, please contact A-INFO.



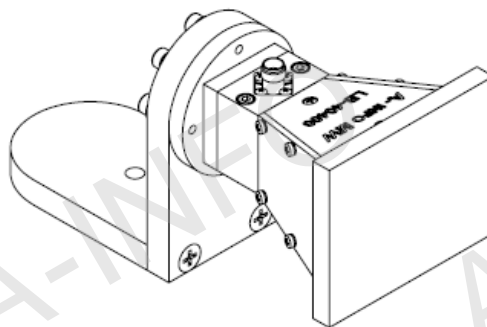
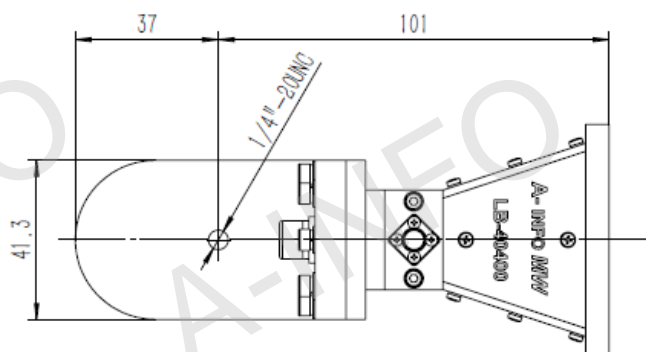
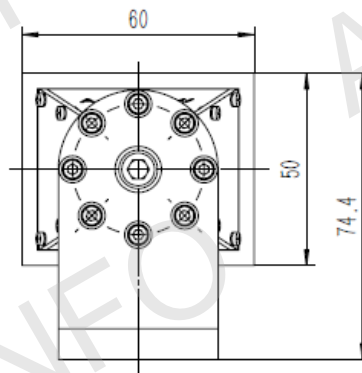
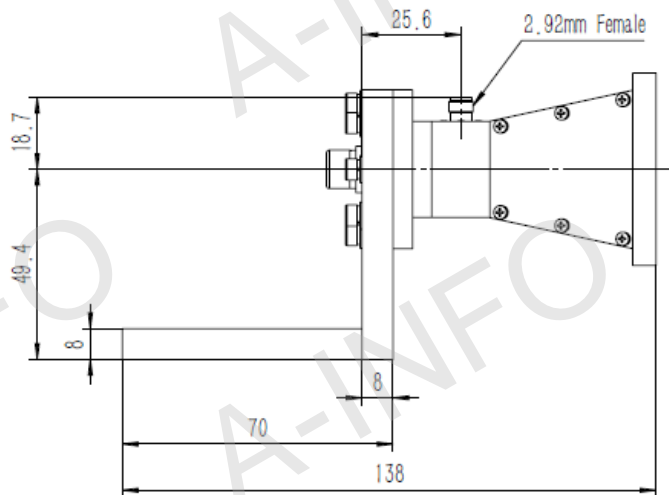
## 2.92mm Female Output with Radome

For 2.4mm-Female output outline drawing, please contact A-INFO.



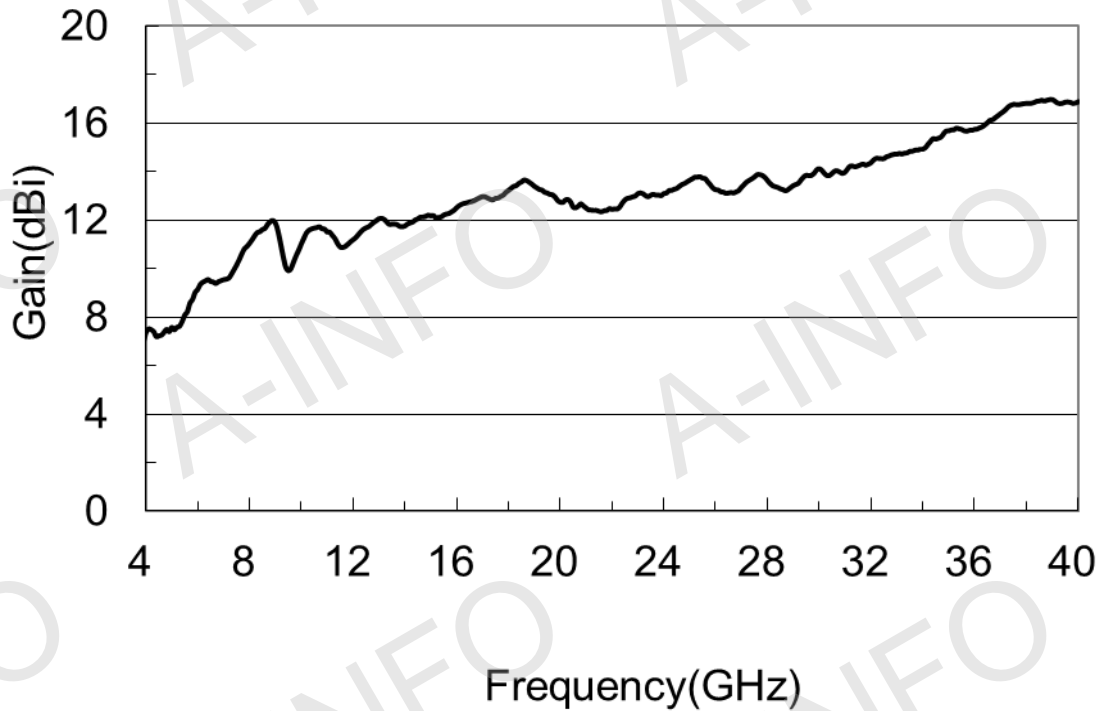
## 2.92mm Female Output with L type Mounting Bracket and Radome

For 2.4mm-Female output outline drawing, please contact A-INFO.

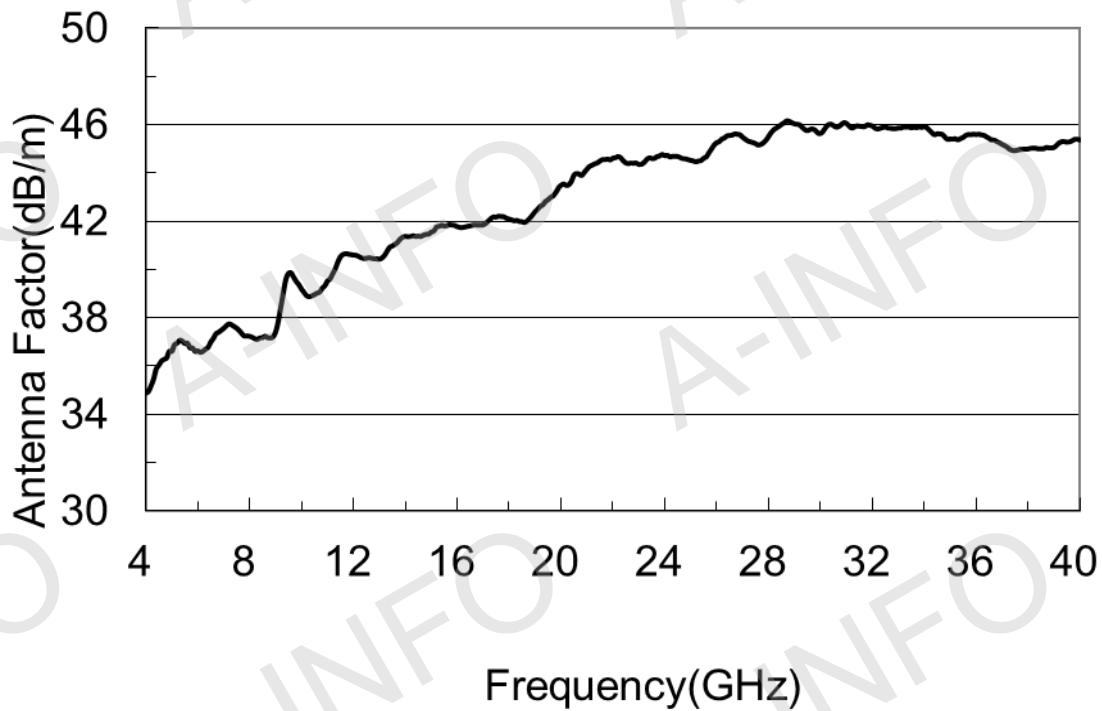


## Test Results

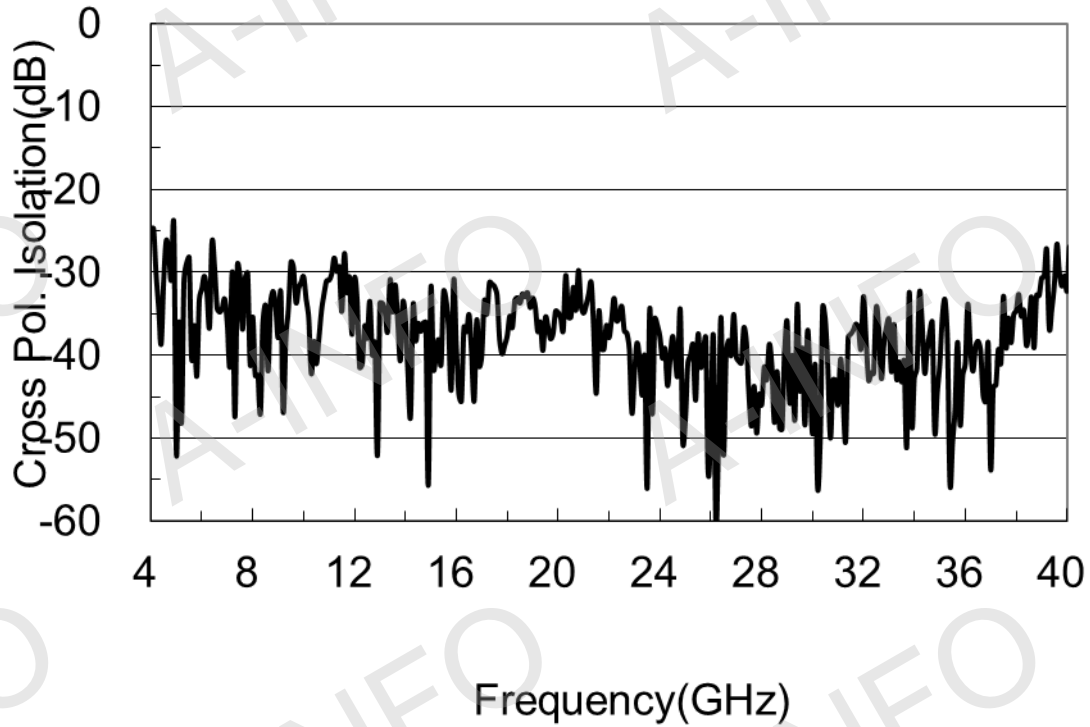
### 1. Gain



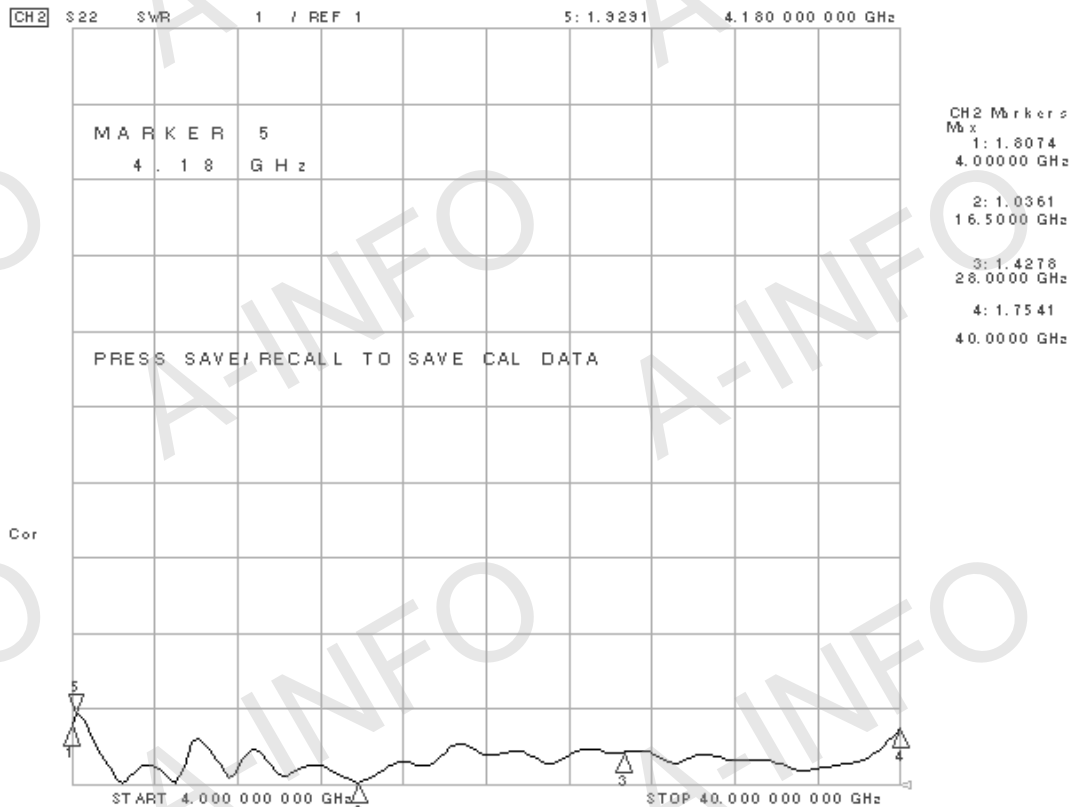
### 2. Antenna Factor



### 3. Cross Polarization Isolation



### 4. VSWR



## 5. Pattern

