



42WMT_Cu WR42 Waveguide Magic Tee 18-26.5GHz with Four Rectangular Waveguide Interfaces

WR42 Waveguide Magic Tee Operating From 18 to 26.5GHz with Four Rectangular Waveguide Interfaces

Product Information

SKU	42WMT_Cu
-----	----------

Description

Waveguide magic tee 42WMT_Cu, operating from 18 to 26.5GHz with a 0.4dB insertion loss, 40dB isolation, H-Plane VSWR 1.30:1 and E-Plane VSWR 1.50:1. 42WMT_Cu is a four-ports hybrid coupler or power divider. All the ports have standard WR42 waveguides with the same flanges FBP220(UBR220). The magic tee can be used as a power combiner or a power divider based on the given application's needs.

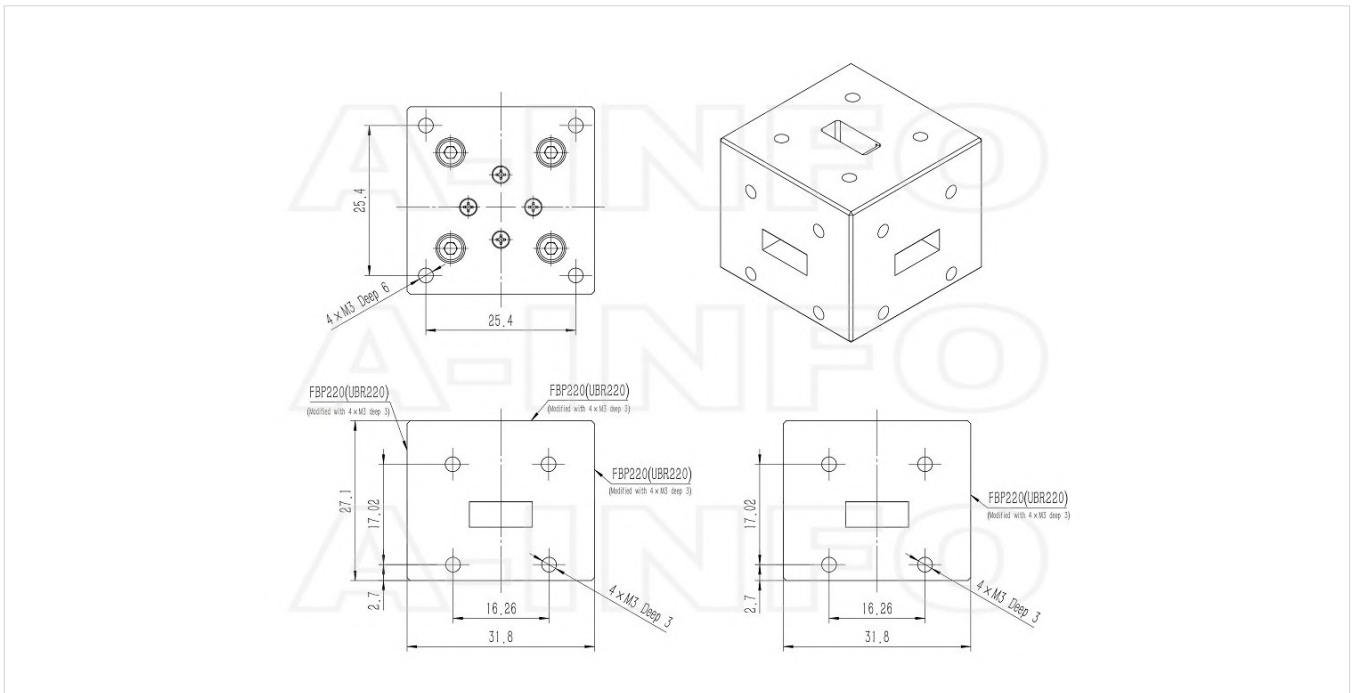
Technical Specification

Electrical Specification		Interface	
WG Tee Type	Magic Tee	Flange 3 Style	Square
Waveguide Band	K	Flange 3 Type	Cover
Waveguide Type	Rectangular	Flange 3 Designation	FBP220(UBR220)
Waveguide Size EIA WR	WR42	Flange 4 Style	Square
Frequency, Min (GHz)	18	Flange 4 Type	Cover
Frequency, Max (GHz)	26.5	Flange 4 Designation	FBP220(UBR220)
I.L., Typ (dB)	0.4	Mechanical Specification	
I.L., Max (dB)	0.6	Body Material	Cu
VSWR, H-Plane, Typ	1.3	Size, L (mm)	31.8
VSWR, H-Plane, Typ	1.30:1	Size, W (mm)	31.8
VSWR, E-Plane, Typ	1.5	Size, H (mm)	27.1
VSWR, E-Plane, Typ	1.50:1	Weight, (kg)	0.2
Isolation, Min (dB)	30	Pressure Sealed	No
Isolation, Typ (dB)	40	Environmental Specification	
Power Handling, CW, (W)	73	Operating Temp. Low (°C)	-55
Power Handling, Peak, (KW)	45	Operating Temp. High (°C)	85
Interface		Storage Temp. Low (°C)	-60
Flange 1 Style	Square	Storage Temp. High (°C)	90
Flange 1 Type	Cover		
Flange 1 Designation	FBP220(UBR220)		
Flange 2 Style	Square		
Flange 2 Type	Cover		
Flange 2 Designation	FBP220(UBR220)		

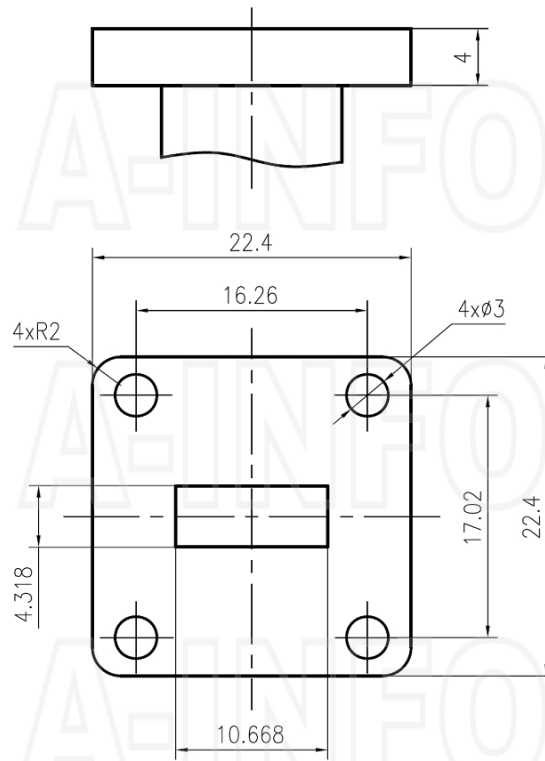
Additional Information

Application	General Purpose Indoor & Outdoor, Fixed
-------------	---

Outline Drawing(Size: mm)



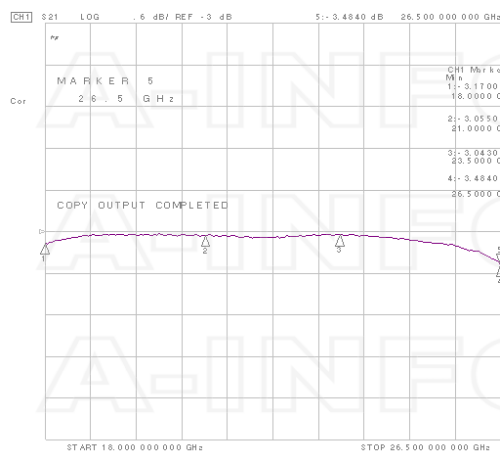
Flange Drawing(Size: mm)



FBP220

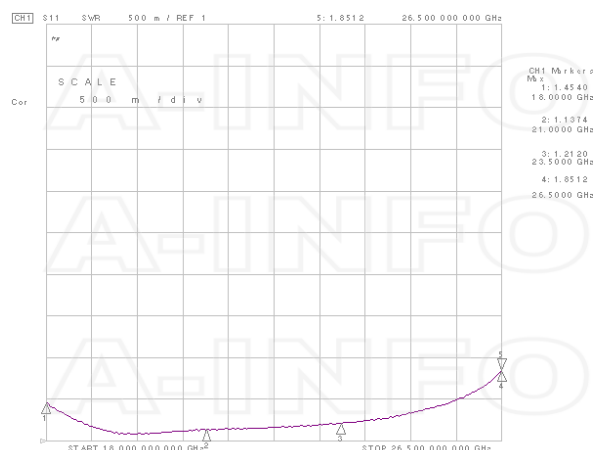
Typical Test Results

Insertion Loss(Including the theoretical loss 3.0dB)

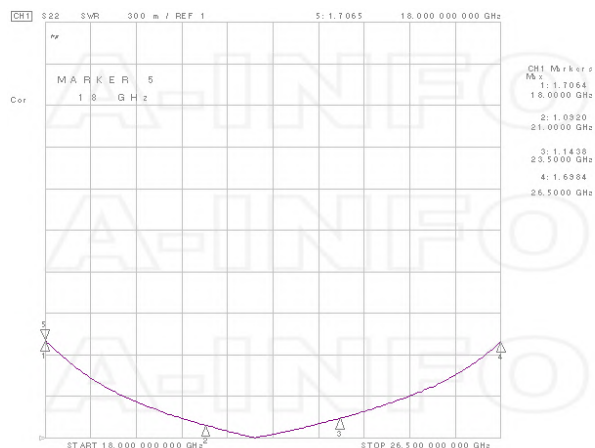


VSWR

E-Plane

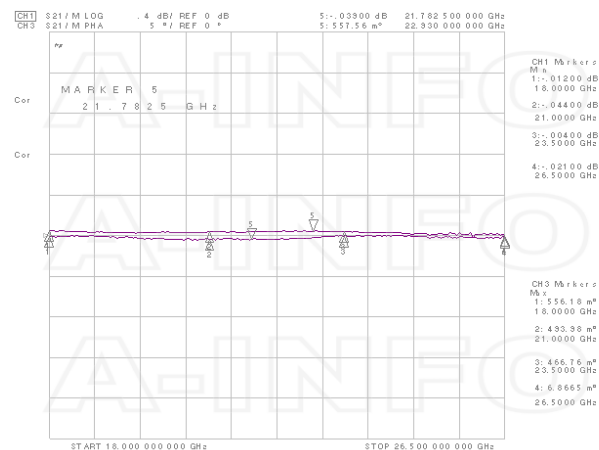


H-Plane

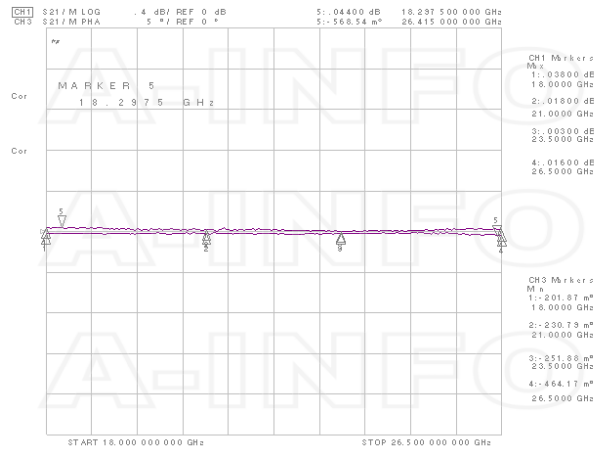


Unbalance

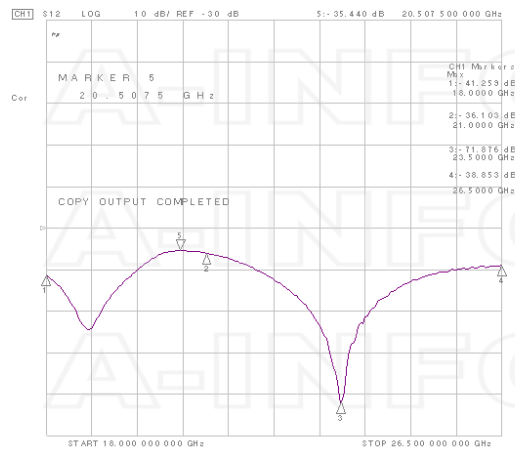
E-Plane



H-Plane



Isolation



Similar Products



42WET_Cu WR42 Waveguide E-Plane Tee 18-26.5GHz with Three Rectangular Waveguide Interfaces



42WHT_Cu WR42 Waveguide H-Plane Tee 18-26.5GHz with Three Rectangular Waveguide Interfaces



51WET WR51 Waveguide E-Plane Tee 15-22GHz with Three Rectangular Waveguide Interfaces



51WHT WR51 Waveguide H-Plane Tee 15-22GHz with Three Rectangular Waveguide Interfaces



51WMT WR51 Waveguide Magic Tee 15-22GHz with Four Rectangular Waveguide Interfaces



34WET_Cu WR34 Waveguide E-Plane Tee 22-33GHz with Three Rectangular Waveguide Interfaces



34WHT_Cu WR34 Waveguide H-Plane Tee 22-33GHz with Three Rectangular Waveguide Interfaces



34WMT_Cu WR34 Waveguide Magic Tee 22-33GHz with Four Rectangular Waveguide Interfaces

About this Datasheet

<ul style="list-style-type: none"> • Product Information Product Link: https://www.ainfoinc.com/42wmt-cu-wr42-waveguide-magic-tee-18-26-5-ghz-fbp220-ubr220 Data subject to change without notice. © A-INFO INC. 2024. All Rights Reserved 	<ul style="list-style-type: none"> • Contact Us Address: 60 Tesla, Irvine, CA 92618, USA Website: www.ainfoinc.com Email: sales@ainfoinc.com 	<ul style="list-style-type: none"> • Phone & Fax Phone: +1-949-639-9688 +1-949-639-9608 Fax: +1-949-639-9670
---	--	--