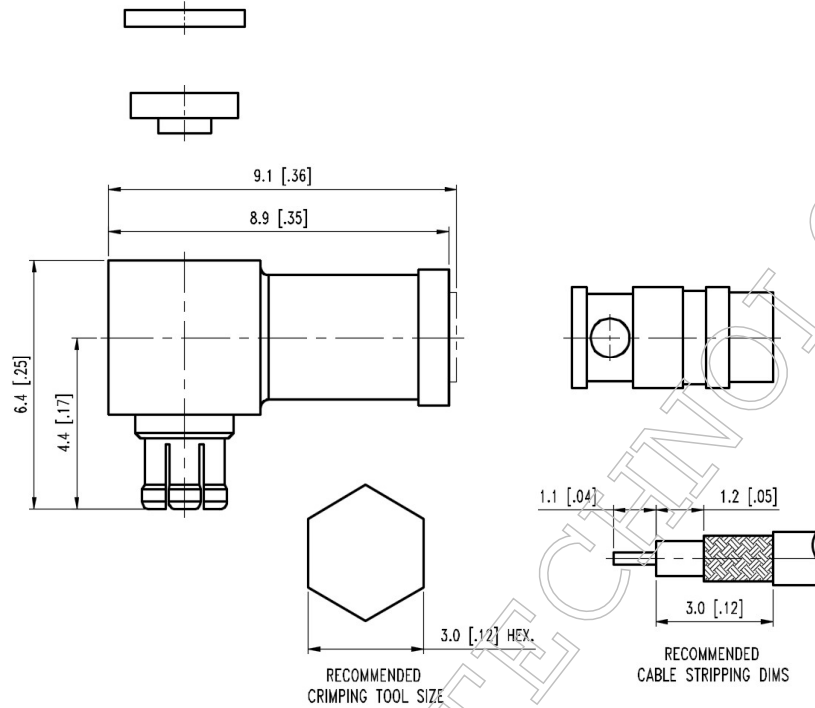


■ **Outline Dimension Drawing**

Dimensions: mm[inch]



■ **Material Specification**

Description	Material	Plating
Body	Brass	Gold
Outer Contact	BeCu	Gold
Contact	BeCu	Gold
Dielectric*2	PTFE	
Ferrule	Brass	Gold
Cap	Brass	Gold

In the effort to improve our products, we reserve the right to make changes judged to be necessary



■ **Electrical Specification**

Description		Description	
Impedance	50 Ω	Insulation Resistance	5000 MΩ Min.
Frequency	6 GHz	Inner Contact Resistance	6 mΩ Max.
VSWR	1.3 Max.	Outer Contact Resistance	2 mΩ Max.
Insertion Loss	0.29 dB Max.		
Voltage Rating	325 Vrms Max.		
Dielectric Withstanding Voltage	500 Vrms Max.		

■ **Mechanical Specification**

Description			
Engagement Force			
Full Detent	4.3 lbs.	Max.	
Smooth Bore	2.5 lbs.	Max.	
Disengagement Force			
Full Detent	3.8 lbs.	Min.	
Smooth Bore	1.5 lbs.	Min.	
Connector Durability	100	matings min.	
Center Contact			
Axial Force-Mating End	N/A	lbs.	
Axial Force-Opposite End	N/A	lbs.	
Weight	N/A	g	

■ **Environmental Specification**

Description			
Temperature Min.	-55 °C		
Temperature Max.	155 °C		
Hermetic Seal	N/A		

In the effort to improve our products, we reserve the right to make changes judged to be necessary