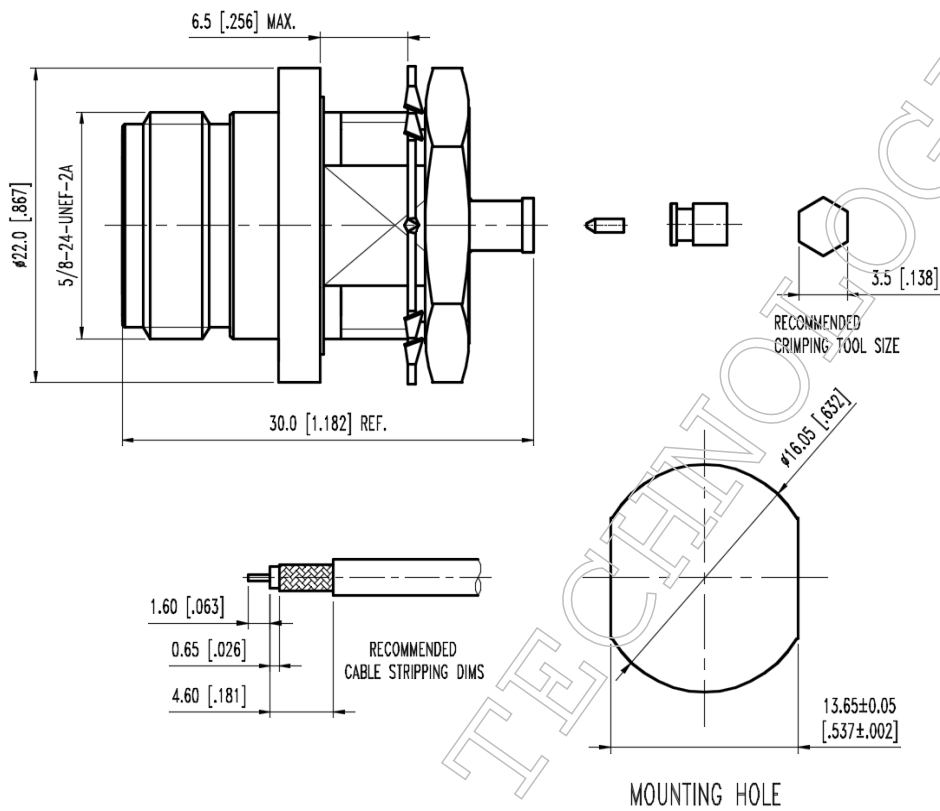


▪ **Outline Dimension Drawing**

Dimensions: mm[inch]



▪ **Material Specification**

| Description | Material | Plating |
|-------------|----------|---------|
| Body | Brass | Nickel |
| Contact | P.Bronze | Gold |
| Contact | Brass | Gold |
| Dielectric | PTFE | |
| Ferrule | Brass | Nickel |
| O-ring | S.I.R | Red |
| Nut | Brass | Nickel |
| Washer | Brass | Nickel |
| Ring | Brass | Gold |

In the effort to improve our products, we reserve the right to make changes judged to be necessary



▪ **Electrical Specification**

| Description | | | Description | | |
|---------------------------------|------|-----------|--------------------------|------|-----------|
| Impedance | 50 | Ω | Insulation Resistance | 5000 | MΩ Min. |
| Frequency | 6 | GHz | Inner Contact Resistance | 3 | mΩ Max. |
| VSWR | 1.25 | Max. | Outer Contact Resistance | 2 | mΩ Max. |
| Insertion Loss | 0.15 | dB Max. | Voltage Rating | 335 | Vrms Max. |
| Dielectric Withstanding Voltage | 750 | Vrms Max. | | | |

▪ **Mechanical Specification**

| Description | | | Description | | |
|--------------------------|-----|--------|------------------------|-------|---------|
| Center Contact | | | Recommended Torque | 12~15 | in. lbs |
| Axial Force-Mating End | 6 | lbs. | Coupling Nut Retention | N/A | in. lbs |
| Axial Force-Opposite End | 6 | lbs. | | | |
| Connector Durability | 500 | cycles | | | |
| Weight | N/A | g | | | |

▪ **Environmental Specification**

| Description | | |
|------------------|-----|----|
| Temperature Min. | -65 | °C |
| Temperature Max. | 165 | °C |
| Hermetic Seal | N/A | |

In the effort to improve our products, we reserve the right to make changes judged to be necessary