



770WLPL WR770 Waveguide Low Power Load 0.96-1.45GHz with Rectangular Waveguide Interface

WR770 Waveguide Low Power Load Operating From 0.96 to 1.45GHz with Rectangular Waveguide Interface

Product Information

SKU	770WLPL
-----	---------

Description

Waveguide low power load 770WLPL, operating from 0.96 to 1.45GHz and low VSWR 1.10:1. 770WLPL covers the WR770 sub waveguide band and comes with one flange FDP12(UDR12). It can handle 25W continuously and 25KW peak power. The WLPL series are for general version, low VSWR terminations for system application. The typical applications include system or test bench set-ups and small moderate power dummy loads.

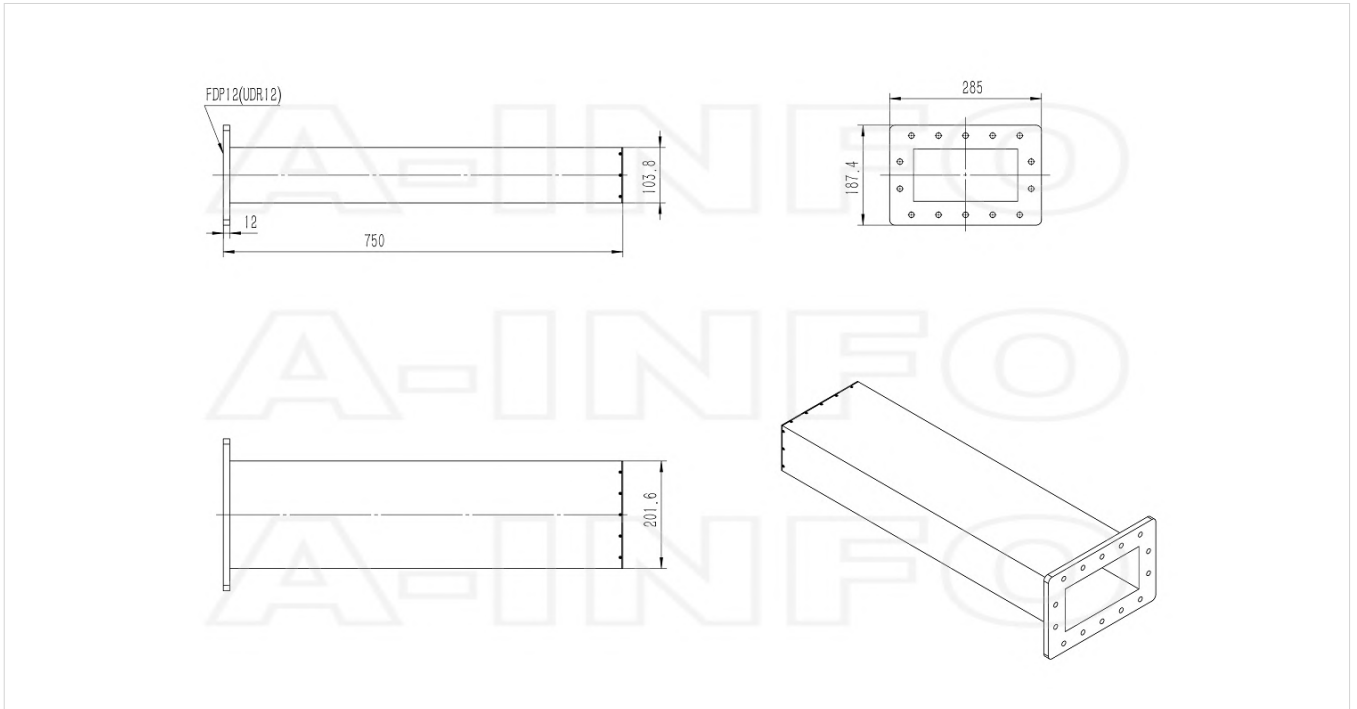
Technical Specification

Electrical Specification		Mechanical Specification	
WG Load Type	Low Power	Body Material	Al
Waveguide Band	L	Finish	Chemical Conversion Coating, Gray Paint
Waveguide Type	Rectangular	Size, L (mm)	750
Waveguide Size EIA WR	WR770	Size, W (mm)	285
Frequency, Min (GHz)	0.96	Size, H (mm)	187.4
Frequency, Max (GHz)	1.45	Weight, (kg)	5.27
VSWR, Typ	1.08:1	Pressure Sealed	No
VSWR, Max	1.10:1	Environmental Specification	
Power Handling, CW, (W)	25	Operating Temp. Low (°C)	-55
Power Handling, Peak, (KW)	25	Operating Temp. High (°C)	85
Interface		Storage Temp. Low (°C)	-60
Flange Style	Rectangular	Storage Temp. High (°C)	90
Flange Type	Cover		
Flange Designation	FDP12(UDR12)		

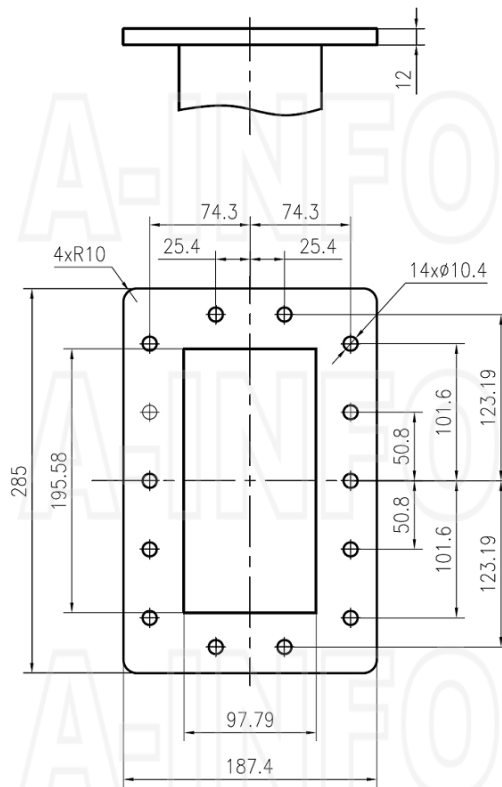
Additional Information

Application	General Purpose Indoor & Outdoor, Fixed
-------------	---

Outline Drawing



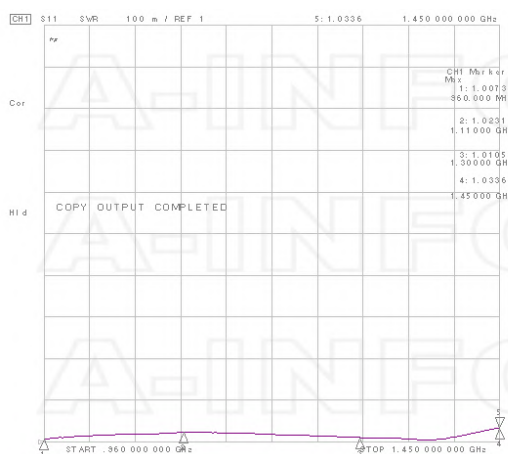
Flange Drawing



FDP12

Typical Test Results

VSWR



Related Products



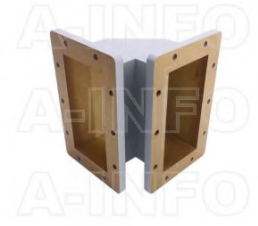
770WCAN Right Angle Rectangular Waveguide to Coaxial Adapter 0.96-1.45GHz WR770 to N Type Female



770WCAS Right Angle Rectangular Waveguide to Coaxial Adapter 0.96-1.45GHz WR770 to SMA Female



770WAL-500 WR770 Rectangular Straight Waveguide 0.96-1.45GHz with Two Rectangular Waveguide Interfaces



770WTEB-100-100 WR770 Miter Bend Waveguide E-Plane 0.96-1.45GHz with Two Rectangular Waveguide Interfaces



770WTHB-200-200 WR770 Miter Bend Waveguide H-Plane 0.96-1.45GHz with Two Rectangular Waveguide Interfaces

Similar Products



770WPL WR770 Waveguide Precision Load 0.96-1.45GHz with Rectangular Waveguide Interface

About this Datasheet

<ul style="list-style-type: none">● Product Information Product Link: https://www.ainfoinc.com/770wlp-wr770-waveguide-low-power-load-0-96-1-45-ghz-fdp12-udr12 Data subject to change without notice. © A-INFO INC. 2024. All Rights Reserved	<ul style="list-style-type: none">● Contact Us Address: 60 Tesla, Irvine, CA 92618, USA Website: www.ainfoinc.com Email: sales@ainfoinc.com	<ul style="list-style-type: none">● Phone & Fax Phone: +1-949-639-9688 +1-949-639-9608 Fax: +1-949-639-9670
---	--	---