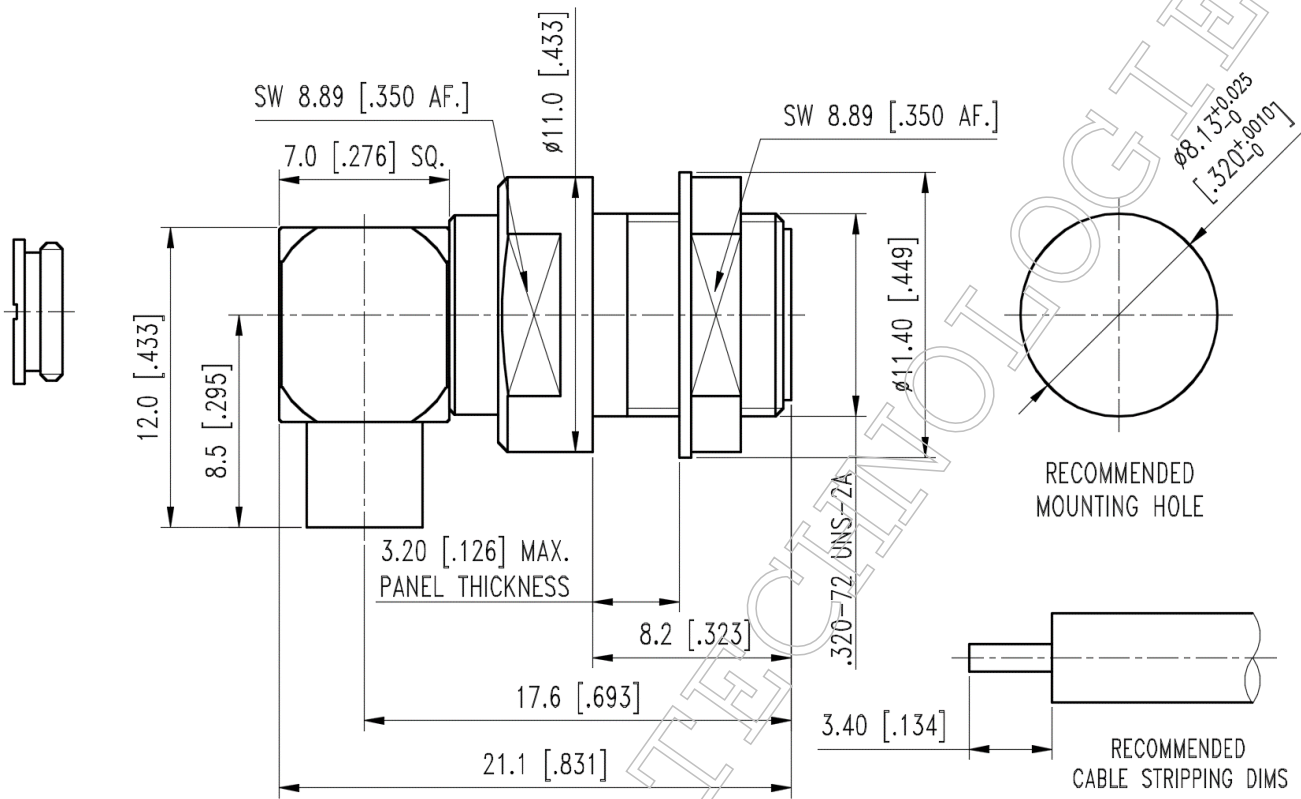


▪ **Outline Dimension Drawing**

Dimensions: mm[inch]



▪ **Material Specification**

Description	Material	Plating
Body	Brass	Gold
Body*2	Stainless Steel	Passivate
Contact	BeCu	Gold
Dielectric	PTFE	
Spring	Stainless Steel	
Spring Fingers	BeCu	Gold
Cap	Stainless Steel	Passivate
Nut	Stainless Steel	Passivate
Washer	Stainless Steel	Passivate

In the effort to improve our products, we reserve the right to make changes judged to be necessary



▪ **Electrical Specification**

Description		Description	
Impedance	50 Ω		
Frequency	12.4 GHz	Insulation Resistance	5000 MΩ Min.
VSWR	1.35 Max.	Inner Contact Resistance	6 mΩ Max.
Insertion Loss	0.21 dB Max.	Outer Contact Resistance	2 mΩ Max.
Voltage Rating	375 Vrms Max.		
Dielectric Withstanding Voltage	1500 Vrms Max.		

▪ **Mechanical Specification**

Description			
Center Contact Retention	6 lbs. Min.		
Engagement Force	3 lbs. Max.		
Disengagement Force	1.5 lbs. Max.		
Connector Durability	500 matings min.		
Weight	N/A g		

▪ **Environmental Specification**

Description			
Temperature Min.	-65 °C		
Temperature Max.	125 °C		
Hermetic Seal	N/A		

In the effort to improve our products, we reserve the right to make changes judged to be necessary