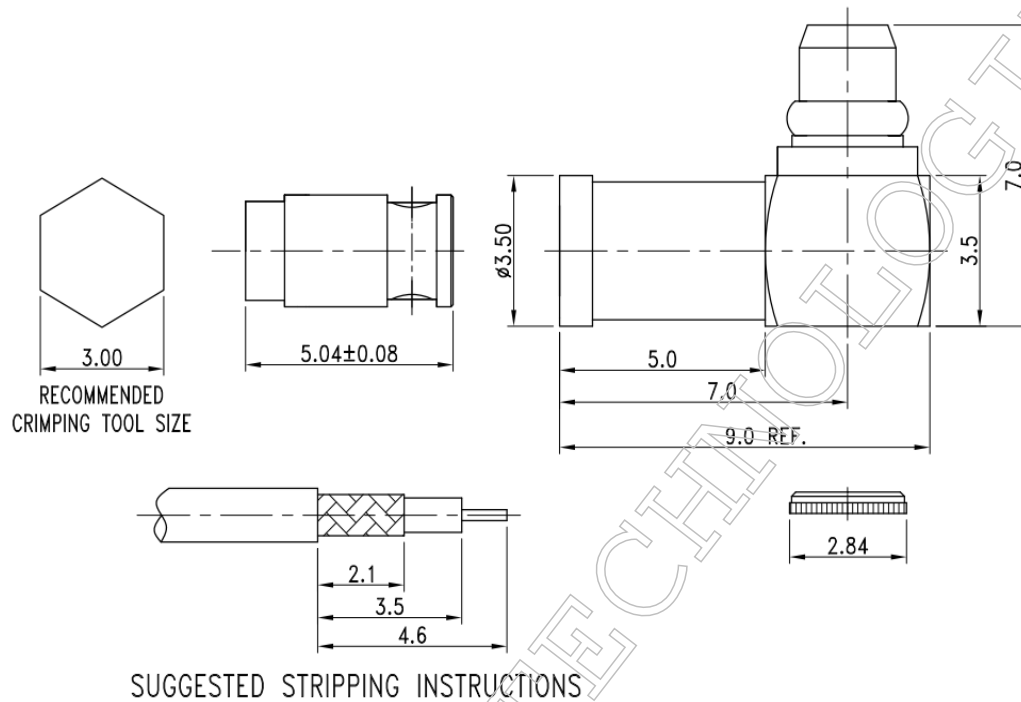


▪ **Outline Dimension Drawing**

Dimensions: mm[inch]



▪ **Material Specification**

Description	Material	Plating
Body	Brass	Gold
Pin	Brass	Gold
Dielectric	PTFE	
R-ring	BeCu	Gold
Ring	Brass	Gold
End cap	Brass	Gold

In the effort to improve our products, we reserve the right to make changes judged to be necessary

**▪ Electrical Specification**

Description			Description		
Impedance	50	Ω	Insulation Resistance	500	MΩ Min.
Frequency	6	GHz	Inner Contact Resistance	5	mΩ Max.
VSWR	1.35	Max.	Outer Contact Resistance	2.5	mΩ Max.
Insertion Loss	N/A	dB Max.			
Voltage Rating	170	Vrms Max.			
Dielectric Withstanding Voltage	500	Vrms Max.			

**▪ Mechanical Specification**

Description			Description		
Center Contact			Recommended Torque	N/A	in. lbs
Axial Force-Mating End	4	lbs.			
Axial Force-Opposite End	N/A	lbs.			
Connector Durability	500	cycles			
Weight	N/A	g			

**▪ Environmental Specification**

Description		
Temperature Min.	-55	°C
Temperature Max.	155	°C
Hermetic Seal	N/A	

In the effort to improve our products, we reserve the right to make changes judged to be necessary