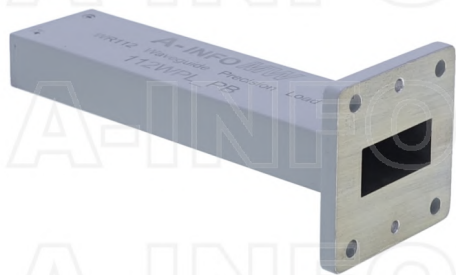


112WPL_PB WR112 Waveguide Precision Load 7.05-10GHz with Rectangular Waveguide Interface

WR112 Waveguide Precision Load Operating From 7.05 to 10GHz with Rectangular Waveguide Interface



Product Information

| | |
|-----|-----------|
| SKU | 112WPL_PB |
|-----|-----------|

Description

Waveguide precision load 112WPL_PB, operating from 7.05 to 10GHz and low VSWR 1.015:1. 112WPL_PB covers the 112WPL_PB sub waveguide band and comes with one flange APF112B. It can handle 4 continuously and 4 peak power. A-INFO Precision Flange(APF) is available for this series. The WPL series low power waveguide fixed terminations are precision, low VSWR terminations suited to a wide variety of precision laboratory applications. The typical applications include full band one-Interface calibration and full two-Interface, isolation calibration. TRM (Thru-Reflect-Match) and SSLT (Short-Short-Load- Thru) calibration methods are supInterfaced.

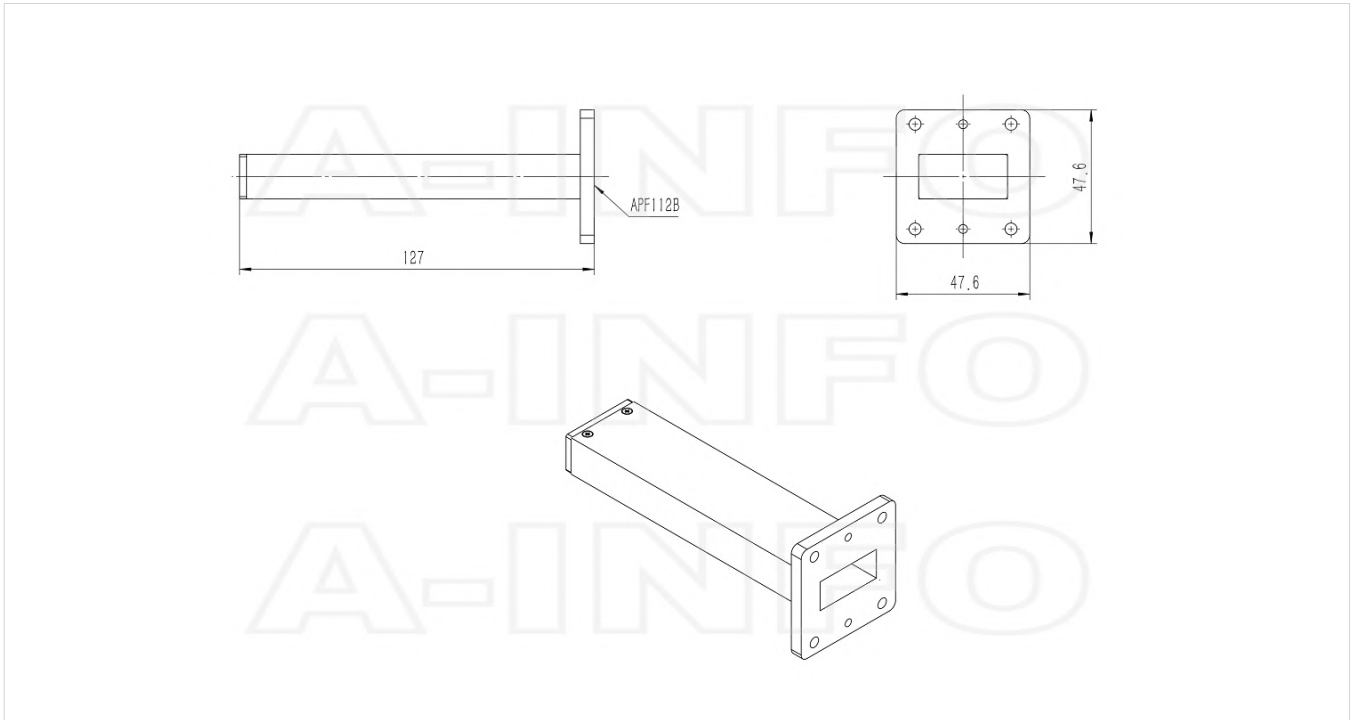
Technical Specification

| Electrical Specification | | Mechanical Specification | |
|----------------------------|-------------|-----------------------------|--|
| WG Load Type | Precision | Body Material | Al |
| Waveguide Band | C X | Finish | Chemical Conversion Coating, Gray Paint |
| Waveguide Type | Rectangular | Size, L (mm) | 127 |
| Waveguide Size EIA WR | WR112 | Size, W (mm) | 47.6 |
| Frequency, Min (GHz) | 7.05 | Size, H (mm) | 47.6 |
| Frequency, Max (GHz) | 10 | Weight, (kg) | 0.11 |
| VSWR, Typ | 1.01:1 | Pressure Sealed | No |
| VSWR, Max | 1.015:1 | Environmental Specification | |
| Power Handling, CW, (W) | 4 | Operating Temp. Low (°C) | -55 |
| Power Handling, Peak, (KW) | 4 | Operating Temp. High (°C) | 85 |
| Interface | | Storage Temp. Low (°C) | -60 |
| Flange Style | Square | Storage Temp. High (°C) | 90 |
| Flange Type | Cover | | |
| Flange Designation | APF112B | | |

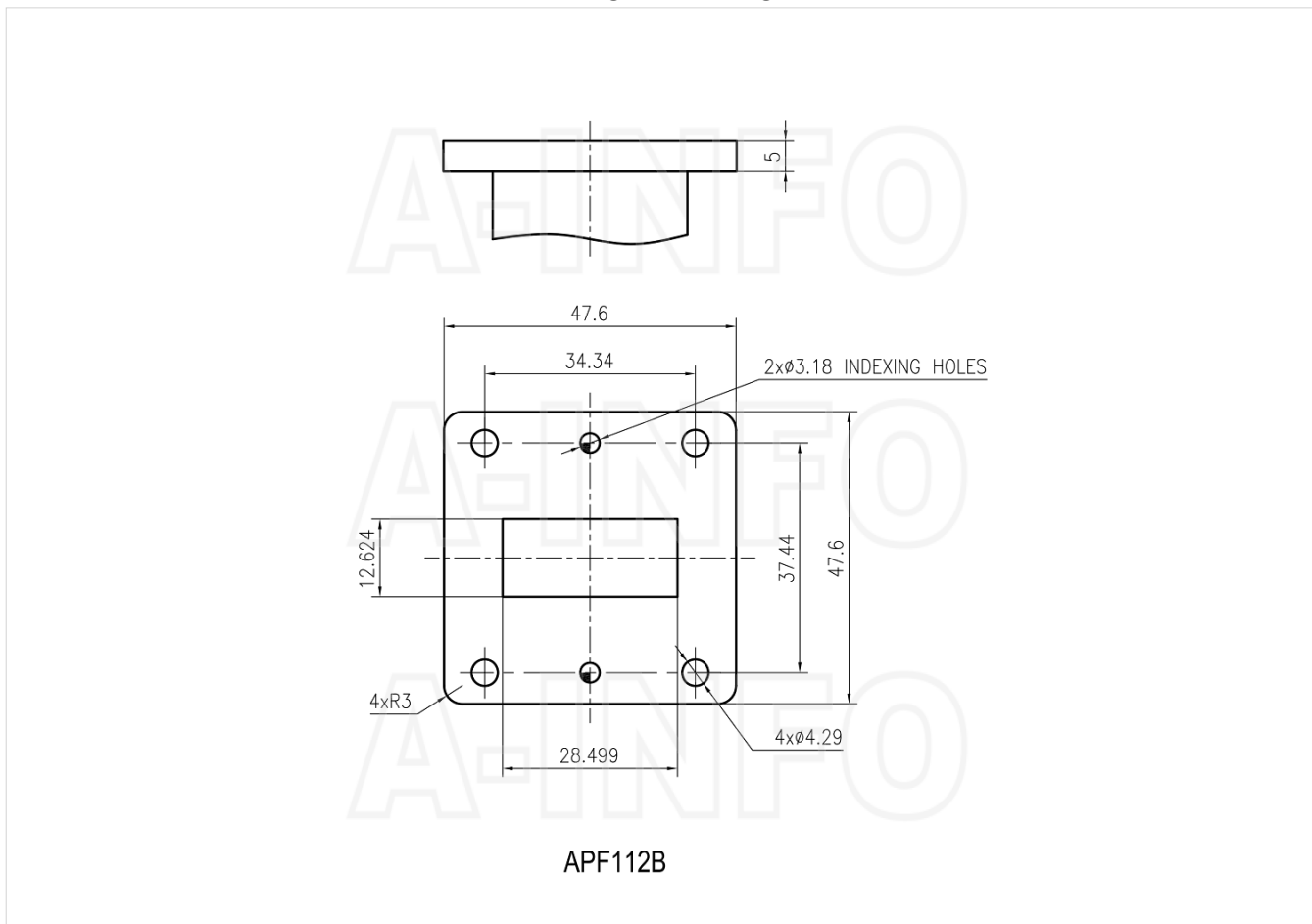
Additional Information

| | |
|-------------|---|
| Application | General Purpose Indoor & Outdoor, Fixed |
|-------------|---|

Outline Drawing

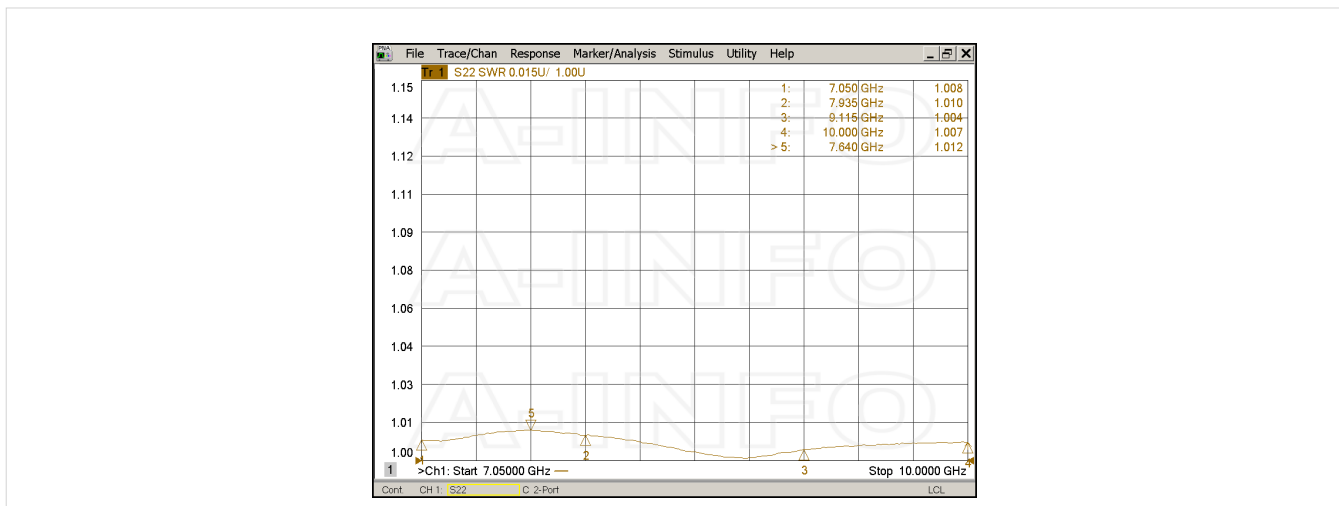


Flange Drawing



Typical Test Results

VSWR



About this Datasheet

| | | |
|---|--|---|
| <ul style="list-style-type: none">● Product Information Product Link: https://www.ainfoinc.com/112wpl-pb-wr112-waveguide-precision-load-7-05-10-ghz-apf112b Data subject to change without notice. © A-INFO INC. 2024. All Rights Reserved | <ul style="list-style-type: none">● Contact Us Address: 60 Tesla, Irvine, CA 92618, USA Website: www.ainfoinc.com Email: sales@ainfoinc.com | <ul style="list-style-type: none">● Phone & Fax Phone: +1-949-639-9688 +1-949-639-9608 Fax: +1-949-639-9670 |
|---|--|---|