

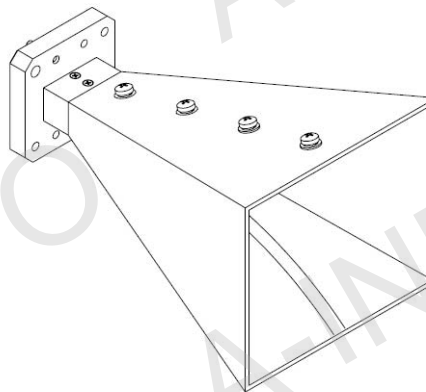
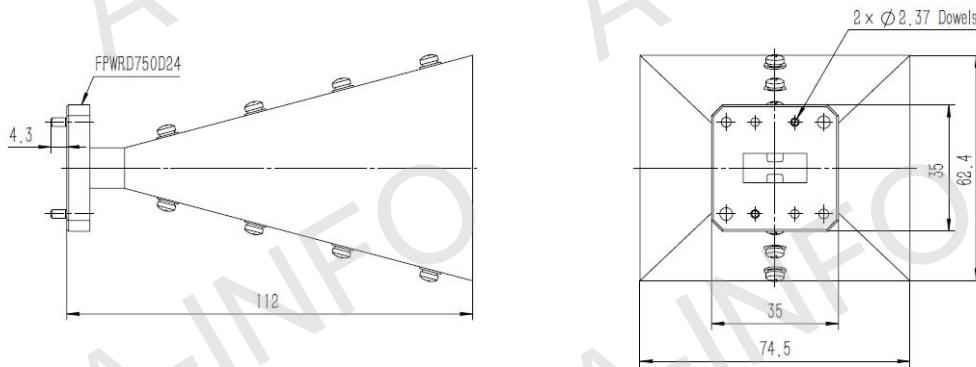
Technical Specification



| | |
|----------------------------------|--|
| Frequency Range(GHz) | 7.5 - 18.0 |
| Gain(dBi) | 15 Typ. |
| Polarization | Linear |
| 3dB Beamwidth(deg) | E Plane: 34 - 19 |
| | H Plane: 38 - 18 |
| Cross Polarization Isolation(dB) | 40 Typ. |
| VSWR | 2.0:1 Max. |
| Output | A Type: FPWRD750D24 |
| | C Type: SMA-F or N-F or High Power N-F |
| Power Handling(W) | SMA-F: 50 Max. CW |
| | N-F: 150 Max. CW |
| | HP N-F: 500 Max. CW |
| Material | Al |
| Size(mm) | A Type: 74.5 x 62.4 x 112 |
| | C Type: 74.5 x 62.4 x 143.7 |
| Net Weight(Kg) | A Type: 0.1 Around |
| | C Type: 0.3 Around |

Outline Drawing (Size: mm)

A Type(With FPWRD750D24 Output)



AINFO Inc.

Page 1 of 12

China(Beijing):
China(Chengdu):
USA :

Tel: (+86) 10-6266-7326,
Tel: (+86) 28-8519-2786,
Tel: (+1) 949-639-9688,

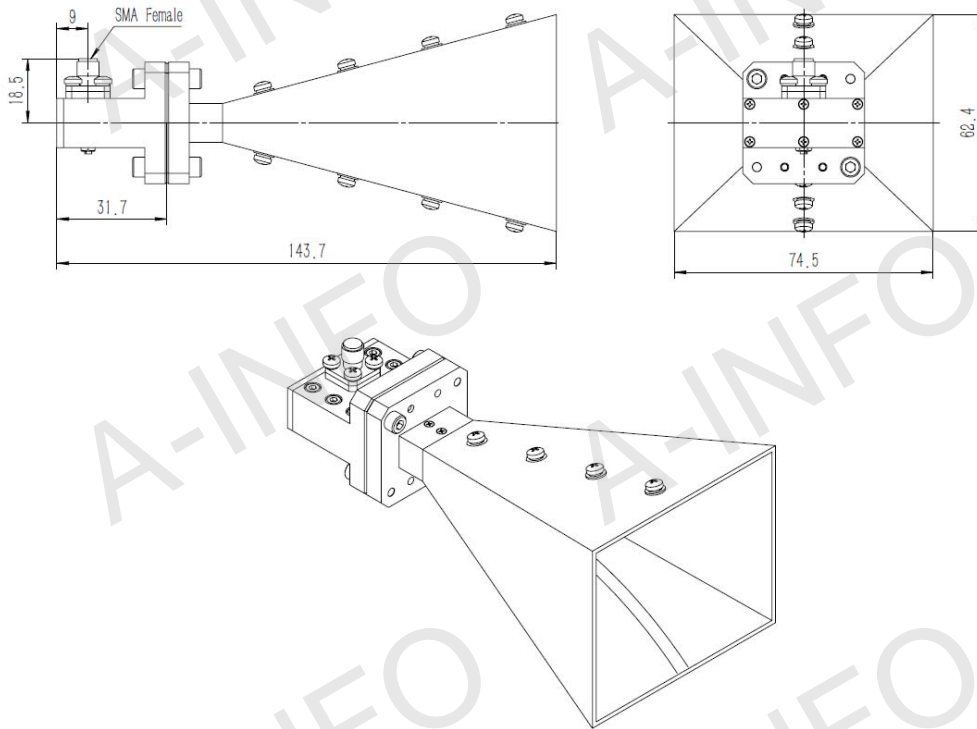
(+86) 10-6266-7327
(+86) 28-8519-3044
(+1) 949-639-9608

Fax: (+86) 10-6266-7379
Fax: (+86) 28-8519-3068
Fax: (+1) 949-639-9670

Website: www.ainfoinc.com
Email: sales@ainfoinc.com

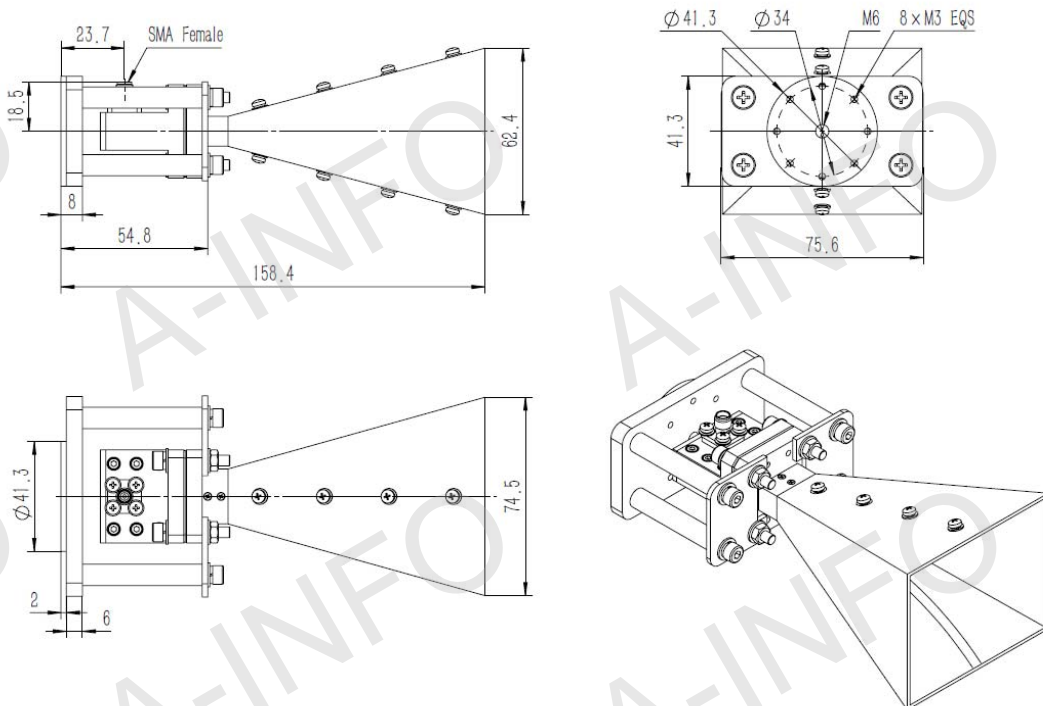
C Type (With SMA-Female Output)

For N-Female or High Power N-Female output outline drawing, please contact A-INFO.



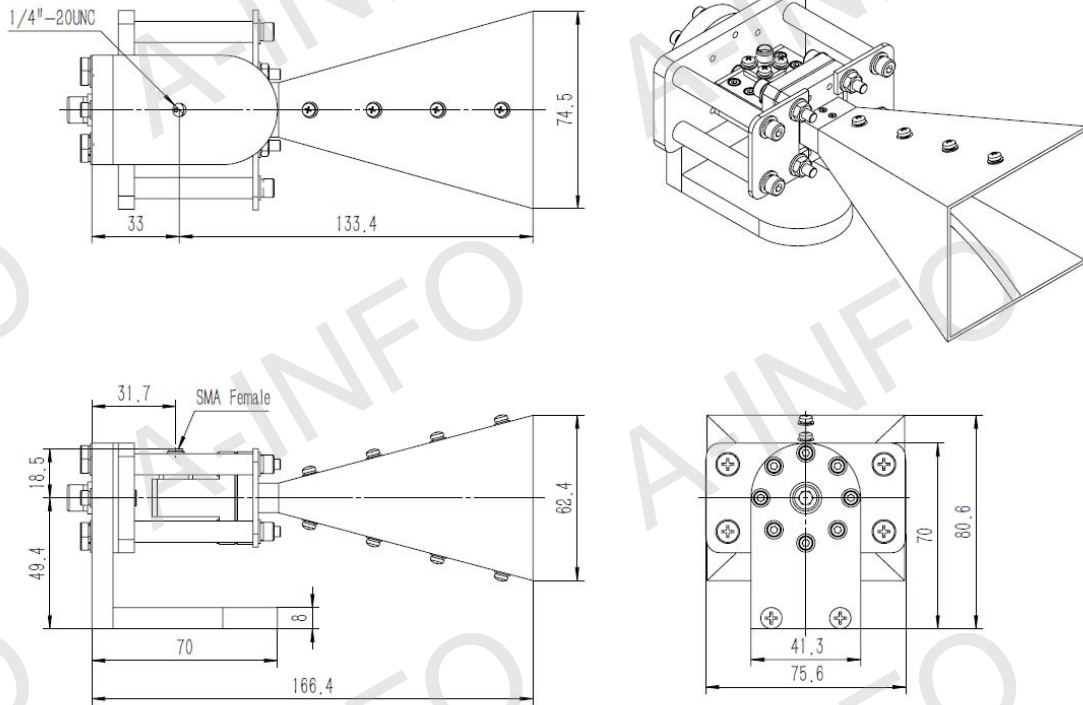
C Type (With SMA-Female Output & Round Mounting Bracket)

For N-Female or High Power N-Female output outline drawing, please contact A-INFO.

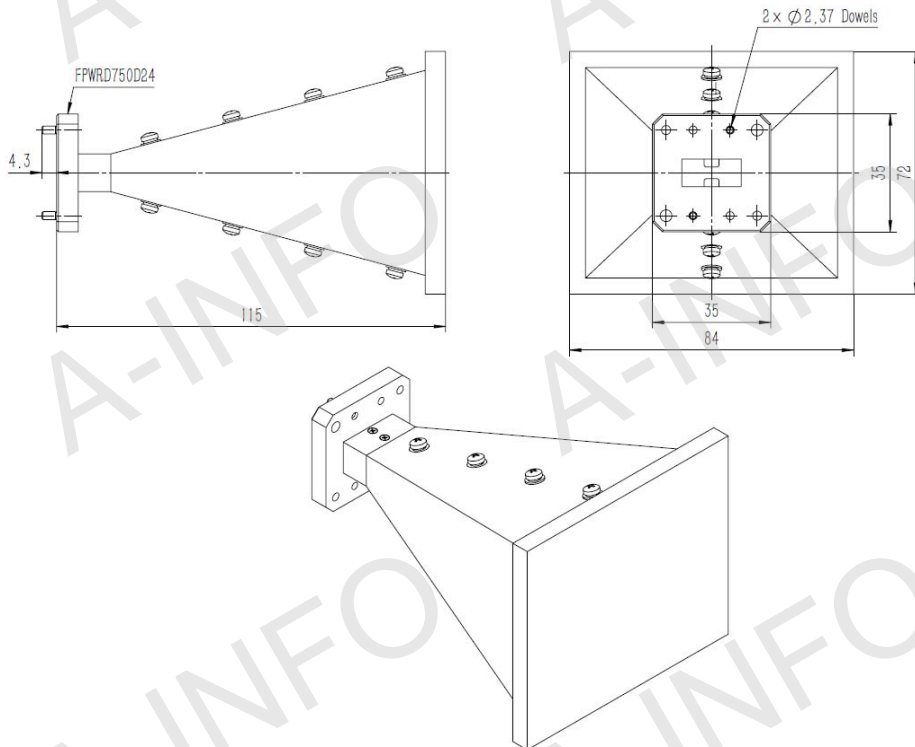


C Type (With SMA-Female Output & L Type Mounting Bracket)

For N-Female or High Power N-Female output outline drawing, please contact A-INFO.



A Type (With Radome)



AINFO Inc.

Page 3 of 12

China(Beijing):
China(Chengdu):
USA :

Tel: (+86) 10-6266-7326,
Tel: (+86) 28-8519-2786,
Tel: (+1) 949-639-9688,

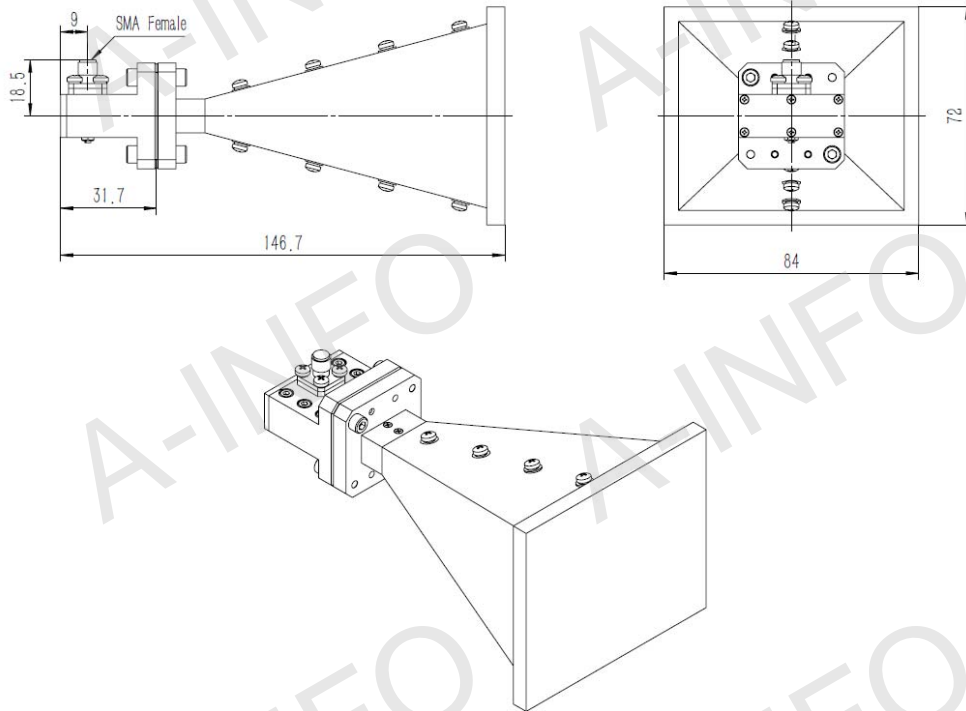
(+86) 10-6266-7327
(+86) 28-8519-3044
(+1) 949-639-9608

Fax: (+86) 10-6266-7379
Fax: (+86) 28-8519-3068
Fax: (+1) 949-639-9670

Website: www.ainfoinc.com
Email: sales@ainfoinc.com

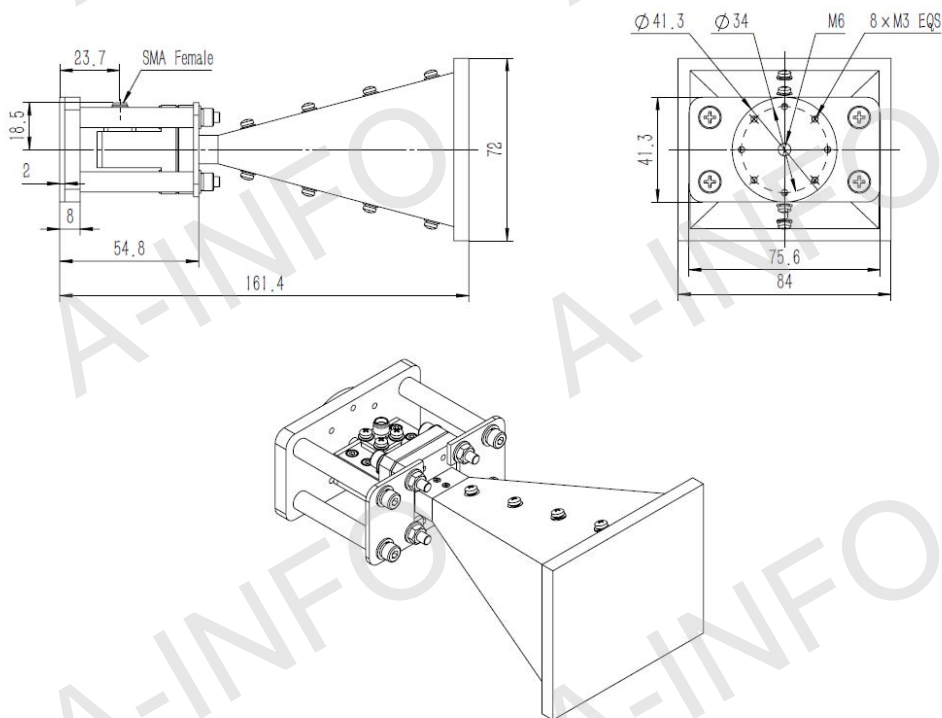
C Type (With SMA-Female Output & Radome)

For N-Female or High Power N-Female output outline drawing, please contact A-INFO.



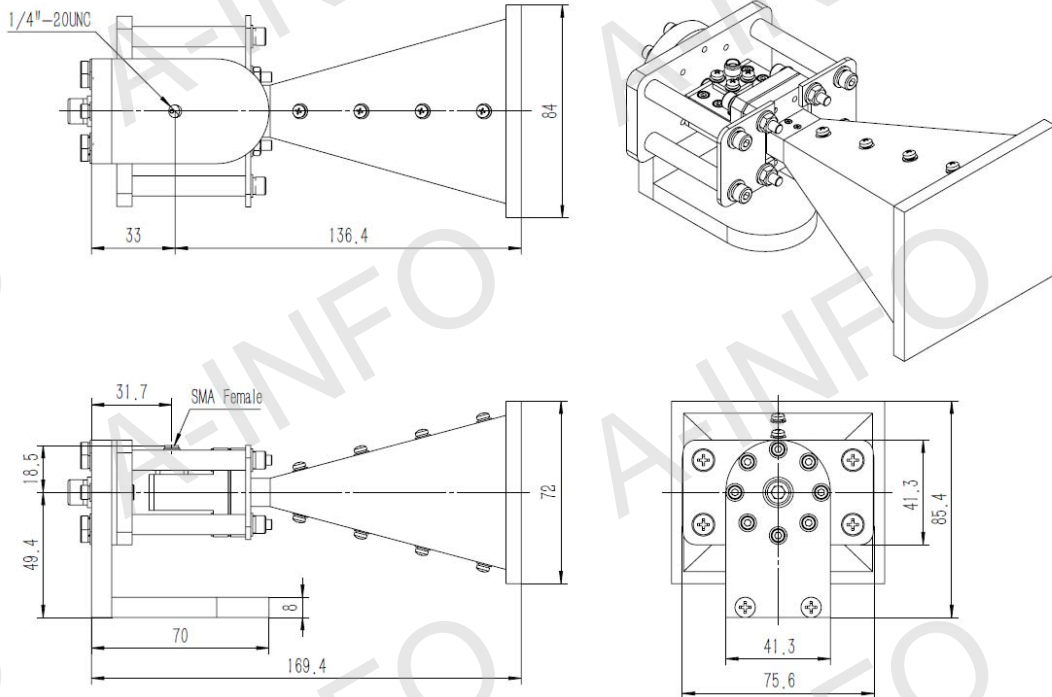
C Type (With SMA-Female Output & Round Mounting Bracket & Radome)

For N-Female or High Power N-Female output outline drawing, please contact A-INFO.



C Type (With SMA-Female Output & L Type Mounting Bracket & Radome)

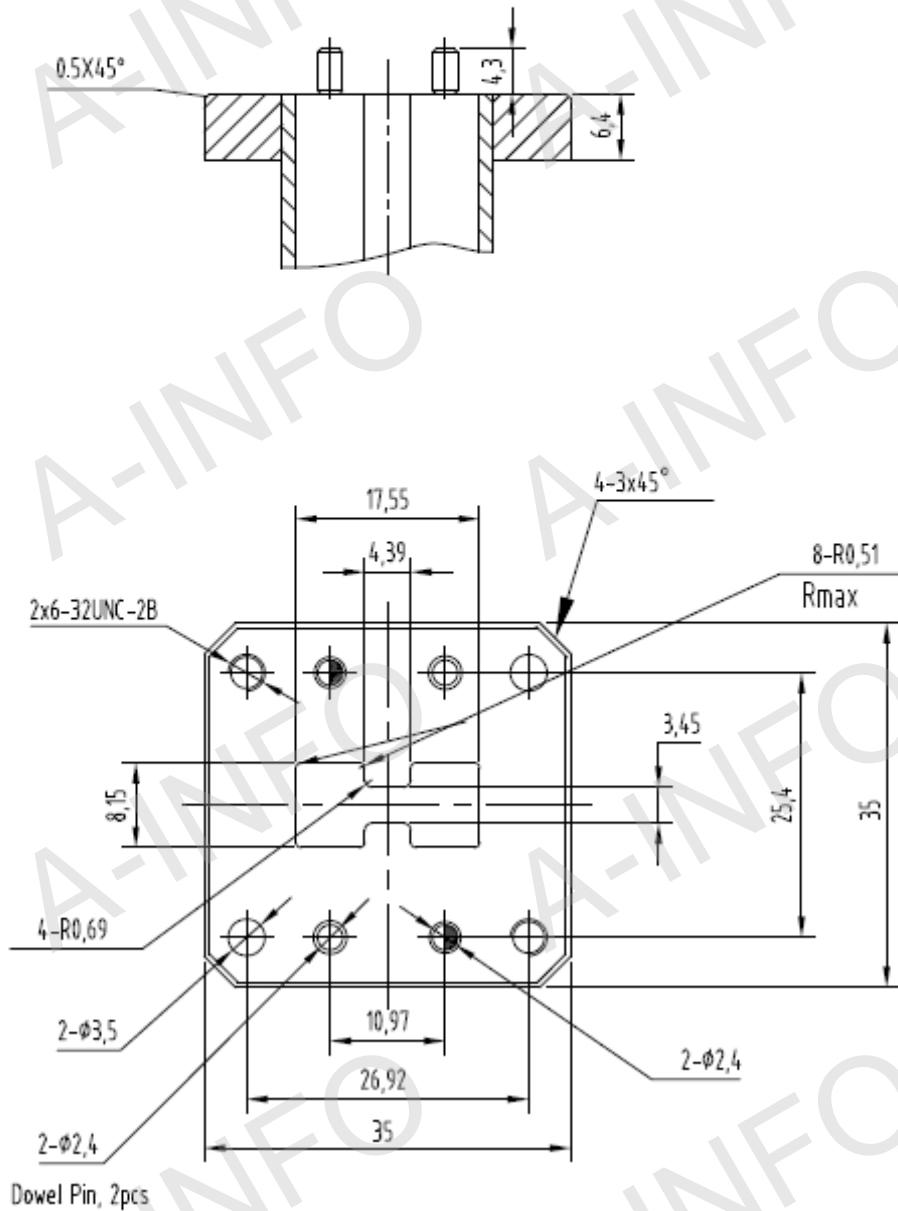
For N-Female or High Power N-Female output outline drawing, please contact A-INFO.



Flange Drawing (Size: mm)

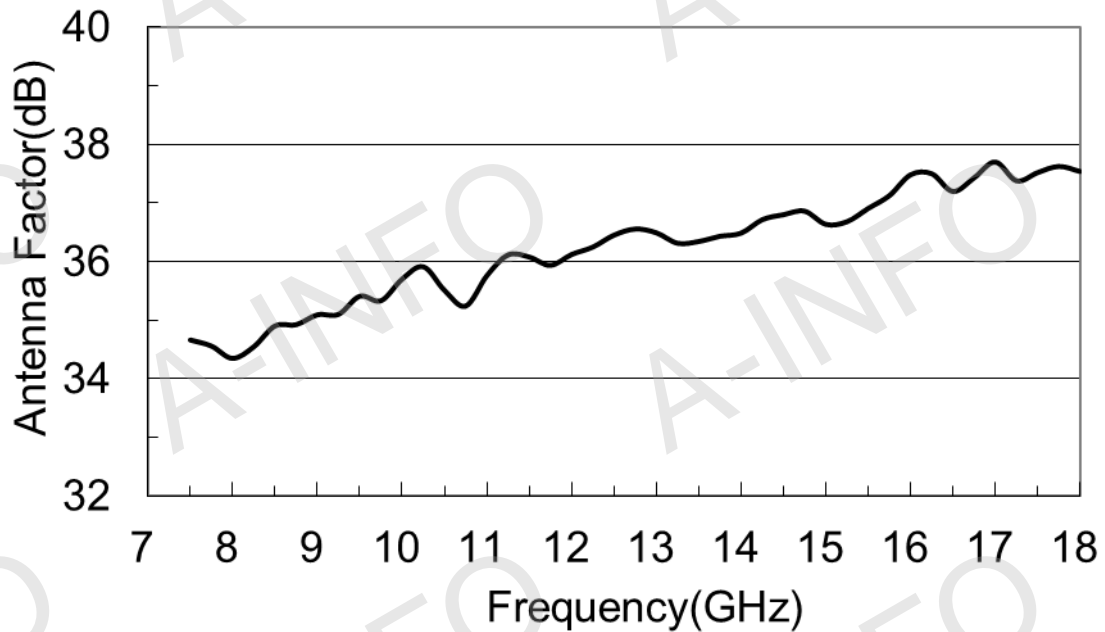
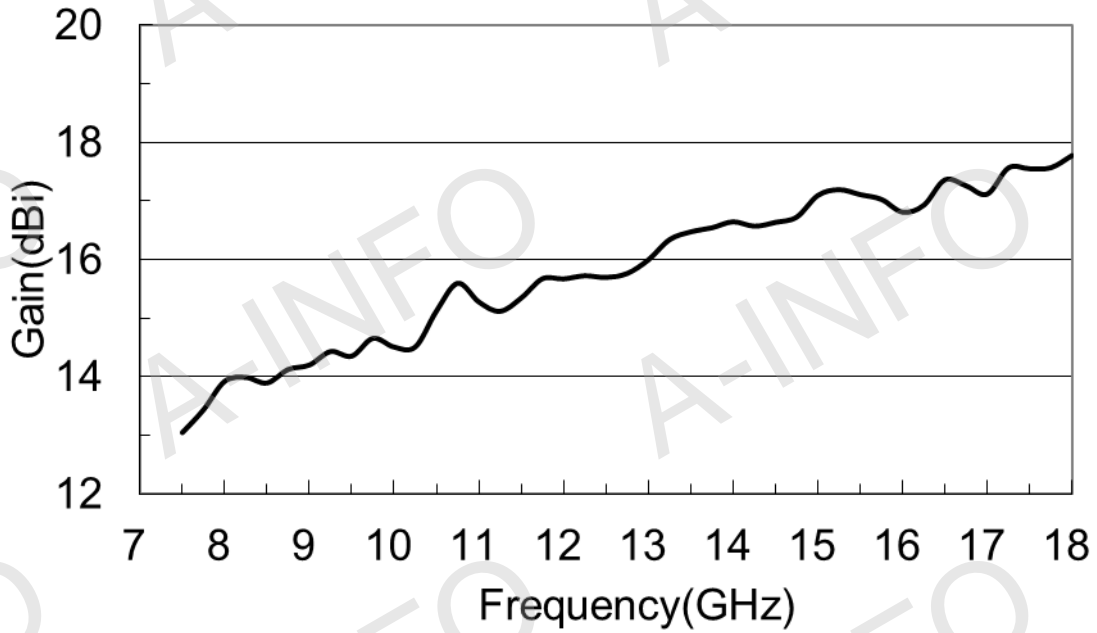
FPWRD750D24

(With two through mounting holes
and two screws holes)

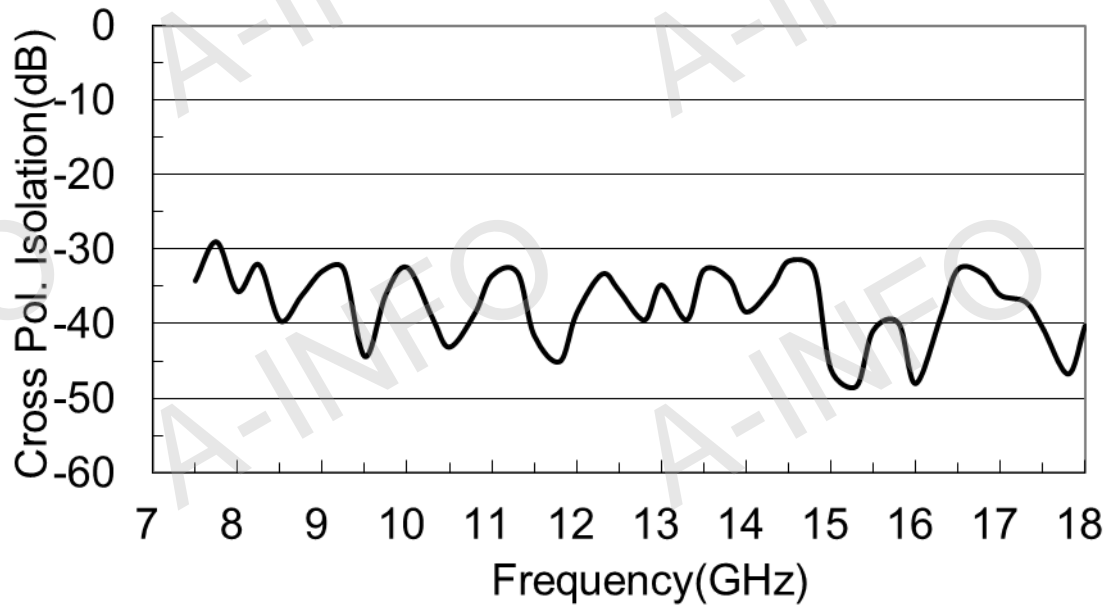


Test Results

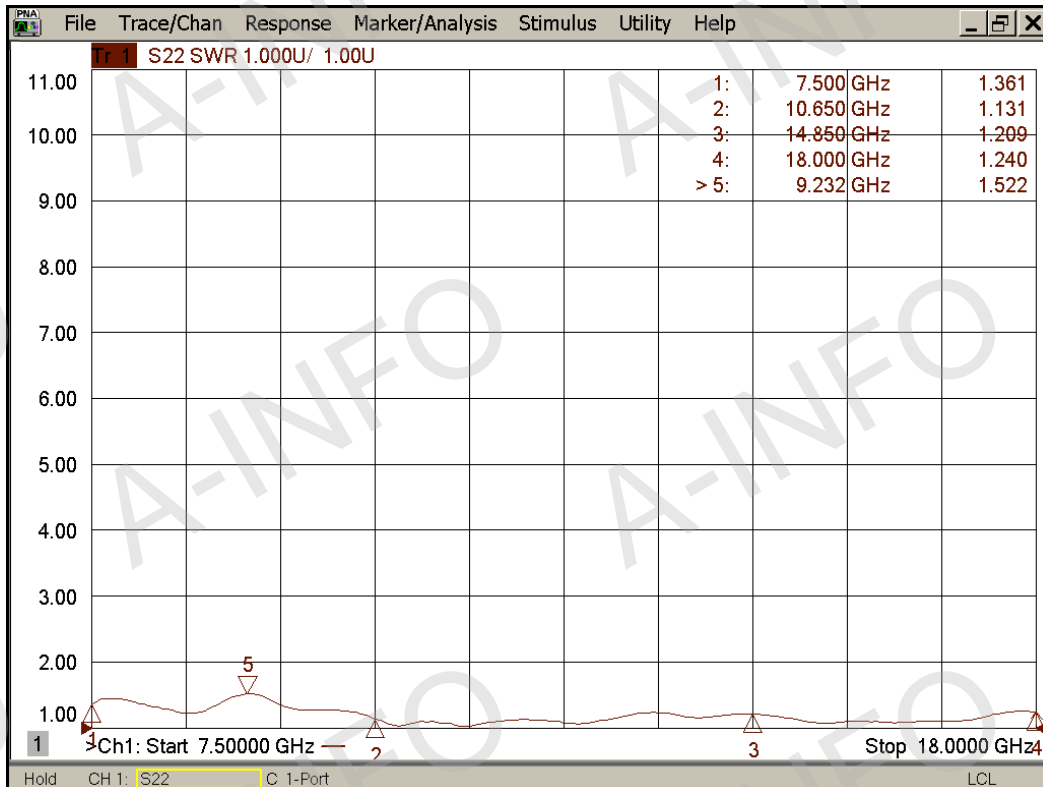
1. Gain & Antenna Factor



2. Cross Polarization Isolation



3. VSWR



4. Pattern

