



42WET_Cu WR42 Waveguide E-Plane Tee 18-26.5GHz with Three Rectangular Waveguide Interfaces

WR42 Waveguide E-Plane Tee Operating From 18 to 26.5GHz with Three Rectangular Waveguide Interfaces

Product Information

SKU	42WET_Cu
-----	----------

Description

Waveguide E-plane tee 42WET_Cu, operating from 18 to 26.5GHz with a 0.4dB insertion loss and low VSWR 1.50:1. 42WET_Cu is a three-ports waveguide connector. All the ports have standard WR42 waveguides with the same flanges FBP220(UBR220). The waveguide E-plane tees are used to separate the signal at E plane rectangular port into the collinear arm with the two rectangular waveguide ports or synthesize the signal from the two ports of the collinear arm into the E plane port.

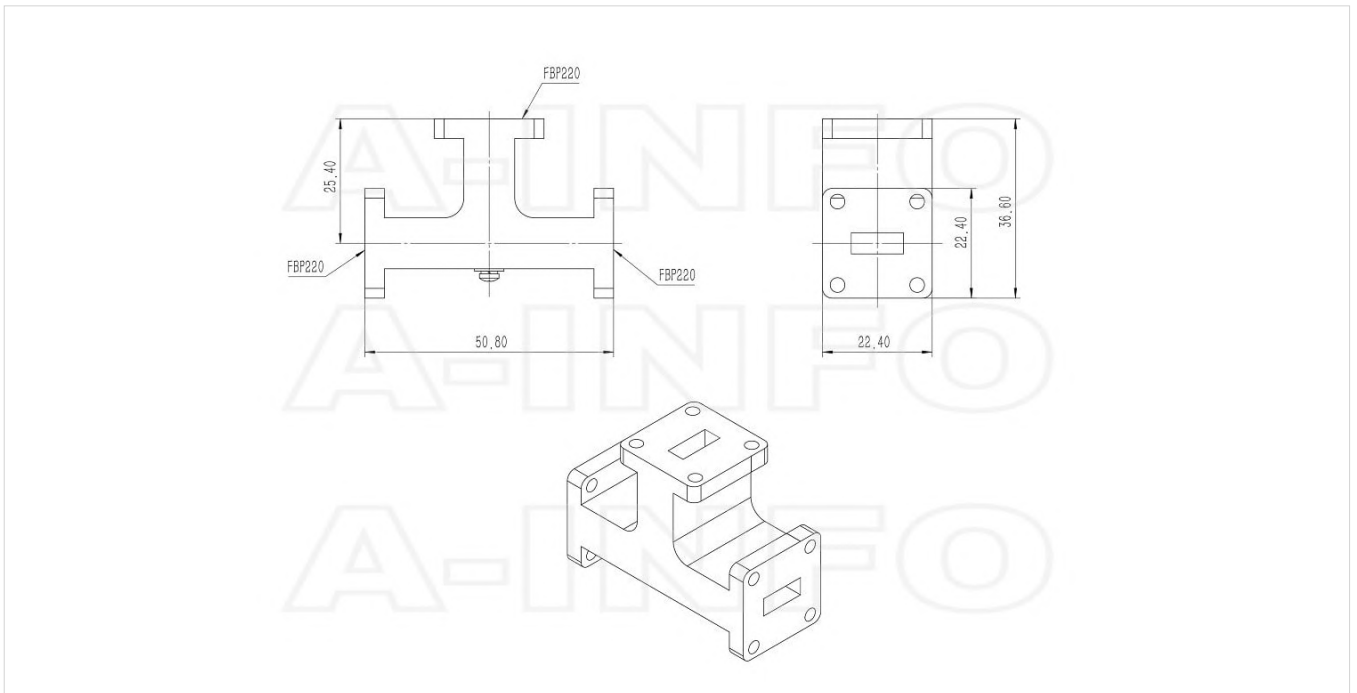
Technical Specification

Electrical Specification		Interface	
WG Tee Type	E-Plane Tee	Flange 3 Style	Square
Waveguide Band	K	Flange 3 Type	Cover
Waveguide Type	Rectangular	Flange 3 Designation	FBP220(UBR220)
Waveguide Size EIA WR	WR42	Mechanical Specification	
Frequency, Min (GHz)	18	Body Material	Cu
Frequency, Max (GHz)	26.5	Size, L (mm)	50.8
I.L., Typ (dB)	0.4	Size, W (mm)	22.4
I.L., Max (dB)	0.6	Size, H (mm)	36.6
VSWR, Typ	1.50:1	Weight, (kg)	0.1
Power Handling, CW, (W)	73	Pressure Sealed	No
Power Handling, Peak, (KW)	45	Environmental Specification	
Interface		Operating Temp. Low (°C)	-55
Flange 1 Style	Square	Operating Temp. High (°C)	85
Flange 1 Type	Cover	Storage Temp. Low (°C)	-60
Flange 1 Designation	FBP220(UBR220)	Storage Temp. High (°C)	90
Flange 2 Style	Square		
Flange 2 Type	Cover		
Flange 2 Designation	FBP220(UBR220)		

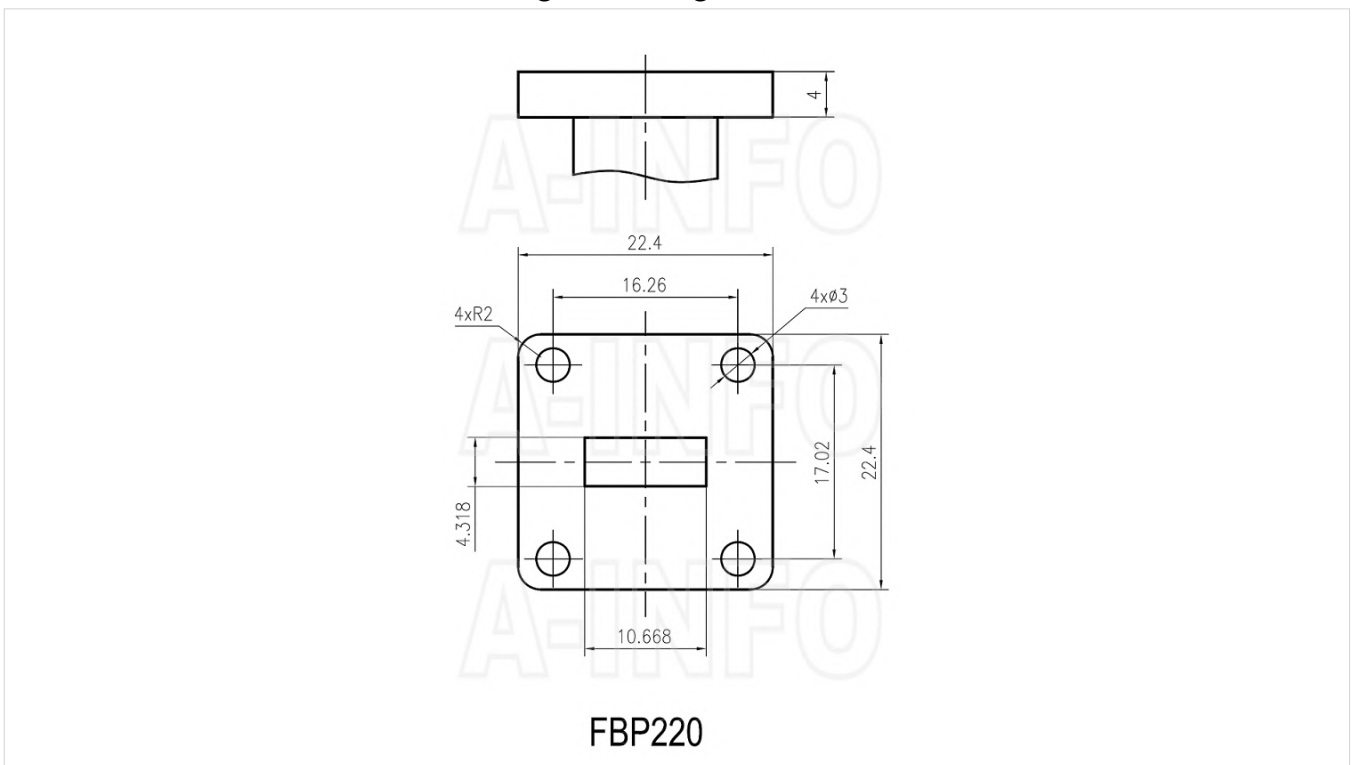
Additional Information

Application	General Purpose Indoor & Outdoor, Fixed
-------------	---

Outline Drawing(Size: mm)

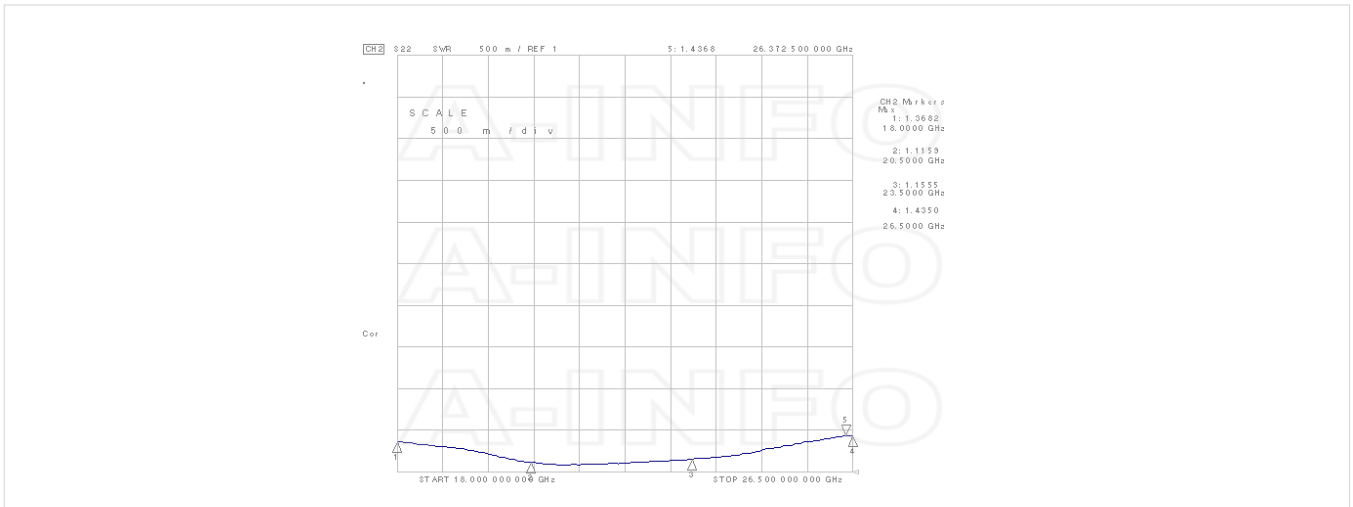


Flange Drawing(Size: mm)

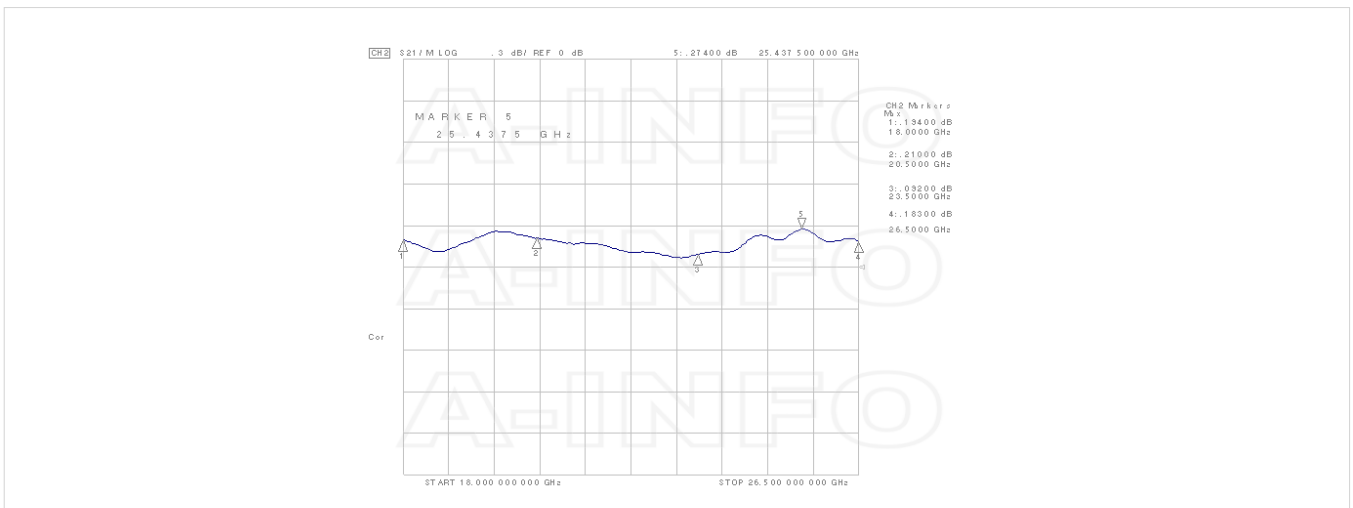


Typical Test Results

VSWR



Unbalance



Similar Products



42WMT_Cu WR42 Waveguide Magic Tee 18-26.5GHz with Four Rectangular Waveguide Interfaces



42WHT_Cu WR42 Waveguide H-Plane Tee 18-26.5GHz with Three Rectangular Waveguide Interfaces



51WMT WR51 Waveguide Magic Tee 15-22GHz with Four Rectangular Waveguide Interfaces



51WHT WR51 Waveguide H-Plane Tee 15-22GHz with Three Rectangular Waveguide Interfaces



51WET WR51 Waveguide E-Plane Tee 15-22GHz with Three Rectangular Waveguide Interfaces



34WMT_Cu WR34 Waveguide Magic Tee 22-33GHz with Four Rectangular Waveguide Interfaces



34WHT_Cu WR34 Waveguide H-Plane Tee 22-33GHz with Three Rectangular Waveguide Interfaces



34WET_Cu WR34 Waveguide E-Plane Tee 22-33GHz with Three Rectangular Waveguide Interfaces

About this Datasheet

<ul style="list-style-type: none"> • Product Information Product Link: https://www.ainfoinc.com/42wet-cu-wr42-waveguide-e-plane-tee-18-26-5-ghz-fbp220-ubr220 Data subject to change without notice. © A-INFO INC. 2024. All Rights Reserved 	<ul style="list-style-type: none"> • Contact Us Address: 60 Tesla, Irvine, CA 92618, USA Website: www.ainfoinc.com Email: sales@ainfoinc.com 	<ul style="list-style-type: none"> • Phone & Fax Phone: +1-949-639-9688 +1-949-639-9608 Fax: +1-949-639-9670
---	--	--