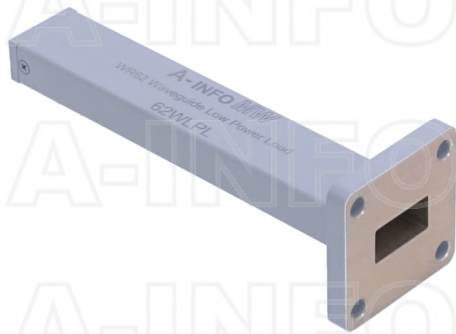


62WLPL WR62 Waveguide Low Power Load 12.4-18GHz with Rectangular Waveguide Interface



WR62 Waveguide Low Power Load Operating From 12.4 to 18GHz with Rectangular Waveguide Interface

### Product Information

SKU	62WLPL
-----	--------

### Description

Waveguide low power load 62WLPL, operating from 12.4 to 18GHz and low VSWR 1.04:1 62WLPL covers the WR62 sub waveguide band and comes with one flange FBP140(UBR140). It can handle 1.5W continuously and 1.5KW peak power. The WLPL series are for general version, low VSWR terminations for system application. The typical applications include system or test bench set-ups and small moderate power dummy loads.

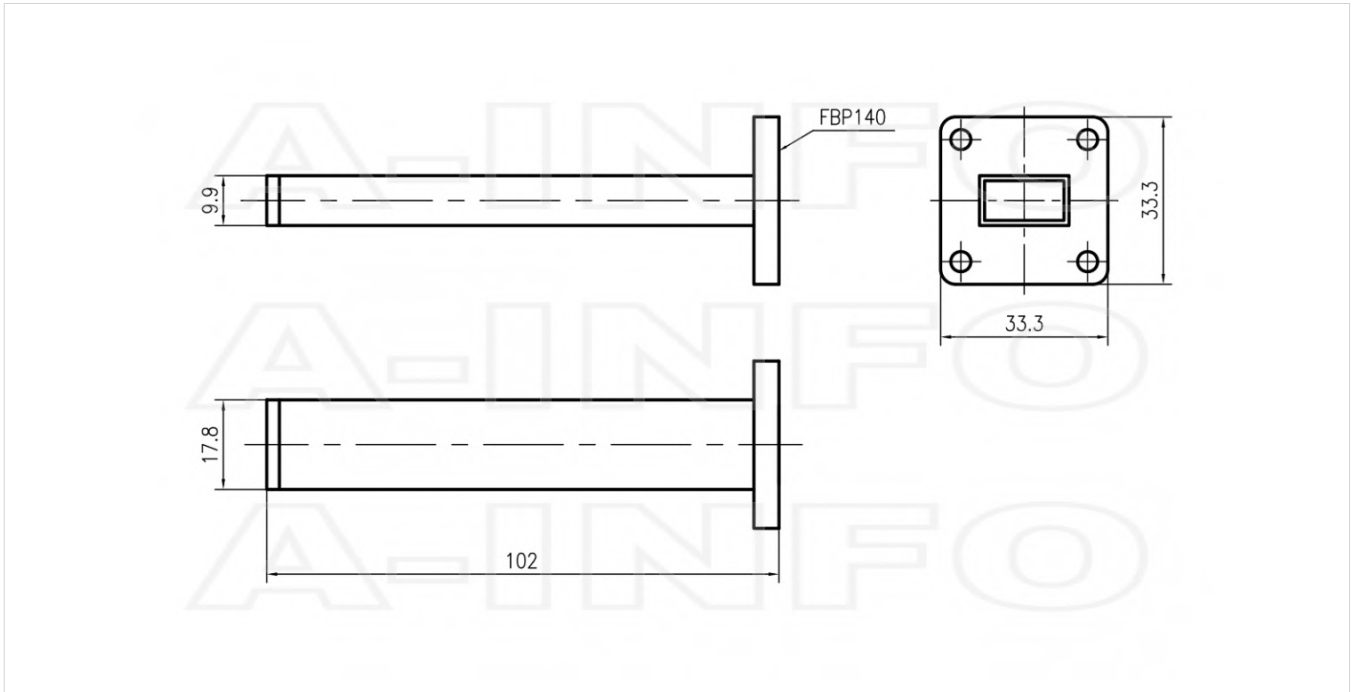
### Technical Specification

Electrical Specification		Mechanical Specification	
WG Load Type	Low Power	Body Material	Al
Waveguide Band	Ku	Finish	Chemical Conversion Coating, Gray Paint
Waveguide Type	Rectangular	Size, L (mm)	102
Waveguide Size EIA WR	WR62	Size, W (mm)	33.3
Frequency, Min (GHz)	12.4	Size, H (mm)	33.3
Frequency, Max (GHz)	18	Weight, (kg)	0.05
VSWR, Typ	1.03:1	Pressure Sealed	No
VSWR, Max	1.04:1	Environmental Specification	
Power Handling, CW, (W)	1.5	Operating Temp. Low (°C)	-55
Power Handling, Peak, (KW)	1.5	Operating Temp. High (°C)	85
Interface		Storage Temp. Low (°C)	-60
Flange Style	Square	Storage Temp. High (°C)	90
Flange Type	Cover		
Flange Designation	FBP140(UBR140)		

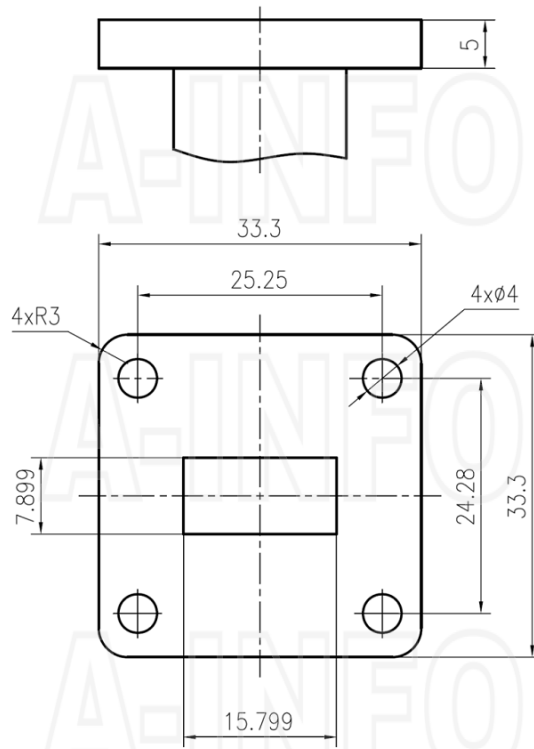
## Additional Information

Application	General Purpose Indoor & Outdoor, Fixed
-------------	---

## Outline Drawing



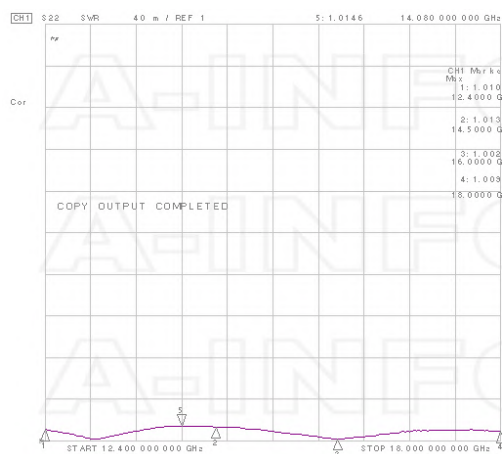
## Flange Drawing



FBP140

## Typical Test Results

### VSWR



### About this Datasheet

<ul style="list-style-type: none"> <li>● <b>Product Information</b></li> </ul> <p>Product Link:  <a href="https://www.ainfoinc.com/62wpl-wr62-waveguide-low-power-load-12-4-18-ghz-fbp140-ubr140">https://www.ainfoinc.com/62wpl-wr62-waveguide-low-power-load-12-4-18-ghz-fbp140-ubr140</a>            Data subject to change without notice.            © A-INFO INC. 2024. All Rights Reserved</p>	<ul style="list-style-type: none"> <li>● <b>Contact Us</b></li> </ul> <p>Address:            60 Tesla, Irvine, CA 92618,            USA</p> <p>Website:  <a href="http://www.ainfoinc.com">www.ainfoinc.com</a></p> <p>Email:  <a href="mailto:sales@ainfoinc.com">sales@ainfoinc.com</a></p>	<ul style="list-style-type: none"> <li>● <b>Phone &amp; Fax</b></li> </ul> <p>Phone:            +1-949-639-9688            +1-949-639-9608</p> <p>Fax:            +1-949-639-9670</p>
---	---	---