

75WPL WR75 Waveguide Precision Load 10-15GHz with Rectangular Waveguide Interface



WR75 Waveguide Precision Load Operating From 10 to 15GHz with Rectangular Waveguide Interface

### Product Information

SKU	75WPL
-----	-------

### Description

Waveguide precision load 75WPL, operating from 10 to 15GHz and low VSWR 1.02:1. 75WPL covers the 75WPL sub waveguide band and comes with one flange FBP120(UBR120). It can handle 2 continuously and 2 peak power. A-INFO Precision Flange(APF) is available for this series. The WPL series low power waveguide fixed terminations are precision, low VSWR terminations suited to a wide variety of precision laboratory applications. The typical applications include full band one-Interface calibration and full two-Interface, isolation calibration. TRM (Thru-Reflect-Match) and SSLT (Short-Short-Load- Thru) calibration methods are supported.

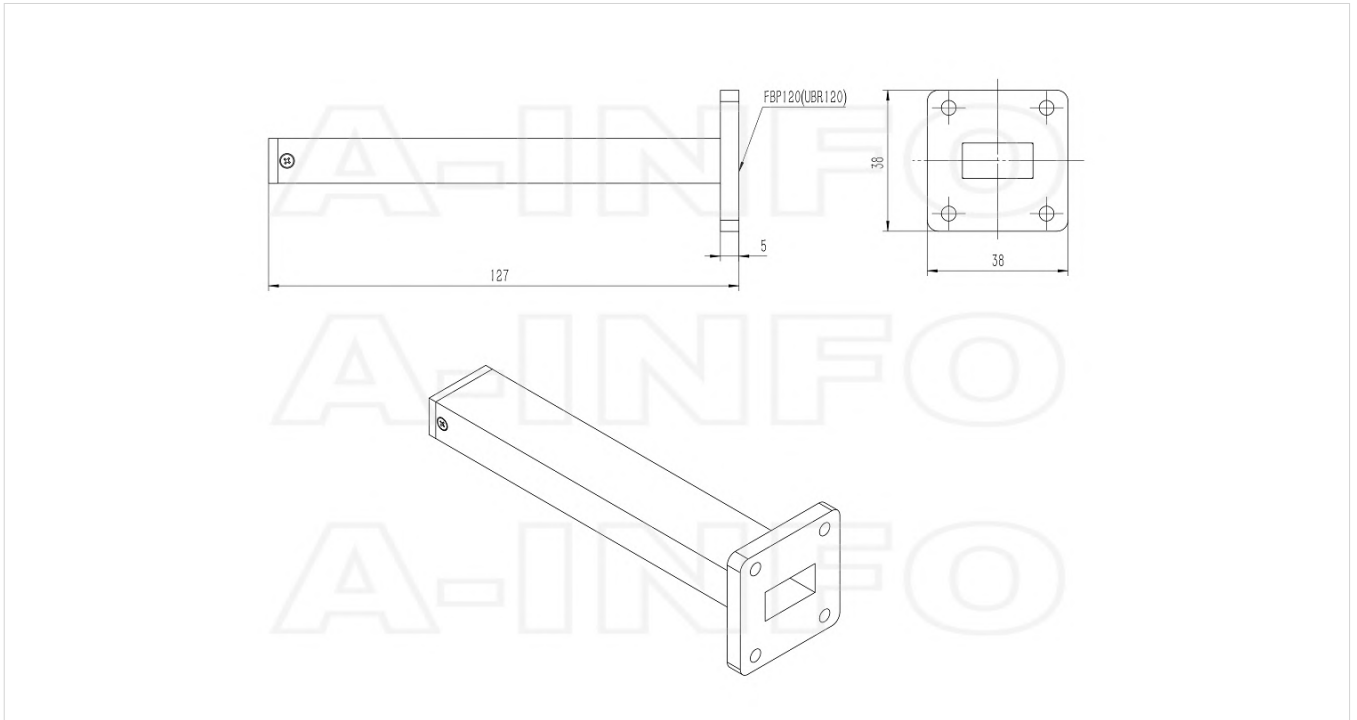
### Technical Specification

Electrical Specification		Mechanical Specification	
WG Load Type	Precision	Body Material	Al
Waveguide Band	X Ku	Size, L (mm)	127
Waveguide Type	Rectangular	Size, W (mm)	38
Waveguide Size EIA WR	WR75	Size, H (mm)	38
Frequency, Min (GHz)	10	Weight, (kg)	0.08
Frequency, Max (GHz)	15	Pressure Sealed	No
VSWR, Typ	1.015:1	Environmental Specification	
VSWR, Max	1.02:1	Operating Temp. Low (°C)	-55
Power Handling, CW, (W)	2	Operating Temp. High (°C)	85
Power Handling, Peak, (KW)	2	Storage Temp. Low (°C)	-60
Interface		Storage Temp. High (°C)	90
Flange Style	Square		
Flange Type	Cover		
Flange Designation	FBP120(UBR120)		

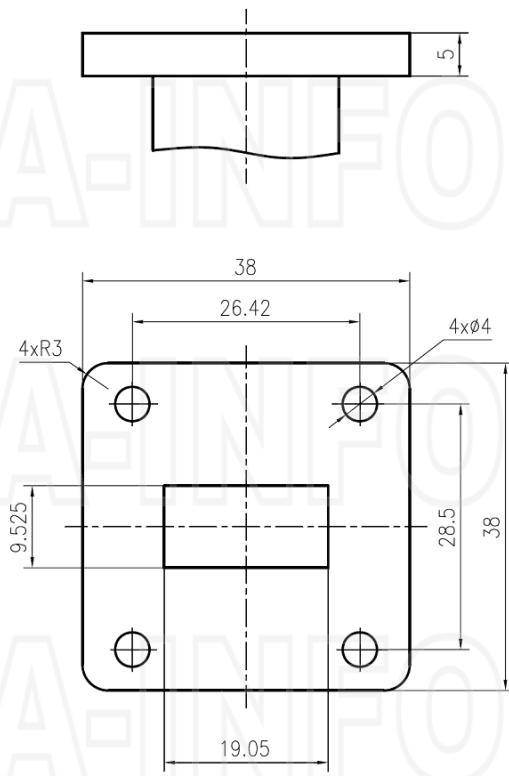
## Additional Information

Application	General Purpose Indoor & Outdoor, Fixed
-------------	---

## Outline Drawing



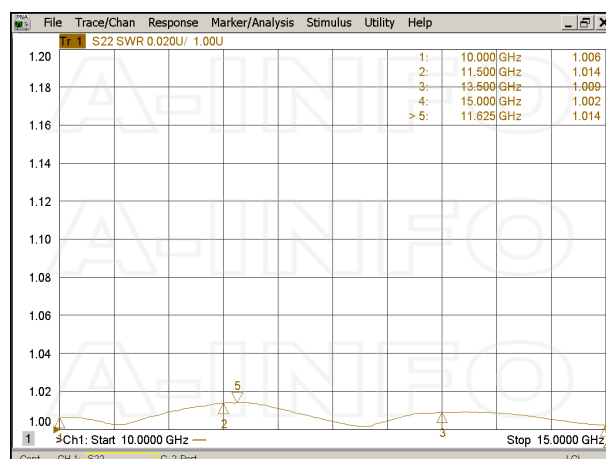
## Flange Drawing



FBP120

## Typical Test Results

### VSWR



### About this Datasheet

<ul style="list-style-type: none"><li>● <b>Product Information</b> Product Link: <a href="https://www.ainfoinc.com/75wpl-wr75-waveguide-precision-load-10-15-ghz-fbp120-ubr120">https://www.ainfoinc.com/75wpl-wr75-waveguide-precision-load-10-15-ghz-fbp120-ubr120</a> Data subject to change without notice. © A-INFO INC. 2024. All Rights Reserved</li></ul>	<ul style="list-style-type: none"><li>● <b>Contact Us</b> Address: 60 Tesla, Irvine, CA 92618, USA  Website: <a href="http://www.ainfoinc.com">www.ainfoinc.com</a>  Email: <a href="mailto:sales@ainfoinc.com">sales@ainfoinc.com</a></li></ul>	<ul style="list-style-type: none"><li>● <b>Phone &amp; Fax</b> Phone: +1-949-639-9688 +1-949-639-9608  Fax: +1-949-639-9670</li></ul>
---	--	---