

# MC1 -s (mini)

# SPDT, SMA, short, DC-18GHz

## FAILSAFE/LATCHING

The MC1 (-s) Series features SMA connectors and an operation frequency range of DC to 18GHz. This model option has a small profile. The series can be either failsafe or latching type. Available options include TTL, self-cutoff or pulse latching, indicator, and coil suppression, etc.



### Specifications

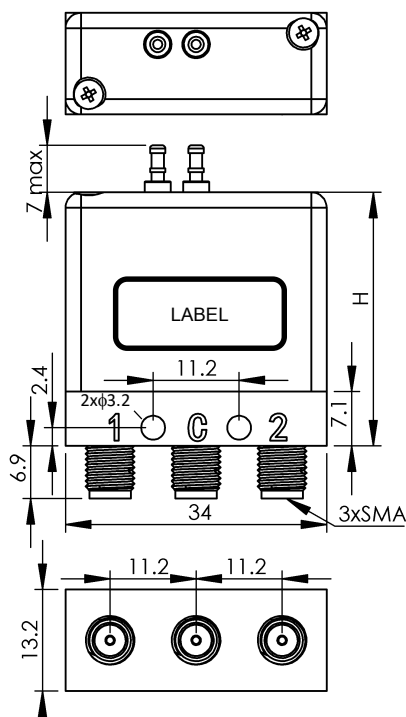
Contact Material	Plated Au
Switching Sequence	Break before Make
Switching Time (max)	15msec
Impedance	50Ω
Temperature Range	-25°C to +65°C (Standard) -55°C to +85°C ("e" option)
Relative Humidity	5 to 85%
Operation Life (cycles)	1,000,000 (Standard) 5,000,000 ("h" option)
Vibration (operating)	10G RMS, 20-2000Hz
Mechanical Shock (non-operating)	50G, 1/2 Sine, 11msec
Weight (approx.)	70g

Voltage (VDC)		12	18	24	28
Current (mA)	Failsafe	190	136	98	83
	Latching	200	119	90	115

• Contact company if reduced coil current is required. Other coil voltage options are available upon request.

Standard			
Frequency Range (GHz)	VSWR (max)	Insertion Loss (dB) (max)	Isolation (dB) (min)
DC-6	1.20	0.20	70
6-12	1.30	0.25	70
12-18	1.40	0.40	60

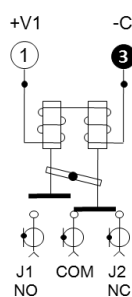
Higher frequency ranges are also available upon request..



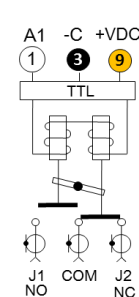
H = 33 (max)

Mechanical drawings (unit: mm, tolerance +/-0.5mm).

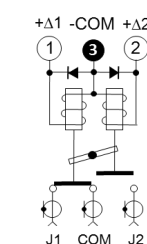
### Failsafe



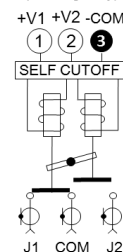
### Failsafe TTL



### Pulse Latching



### Self Cutoff (latching only)



### TTL and Self Cutoff (latching only)

