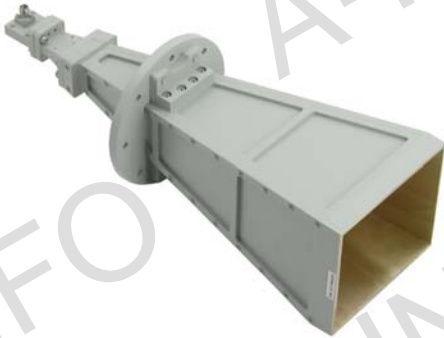


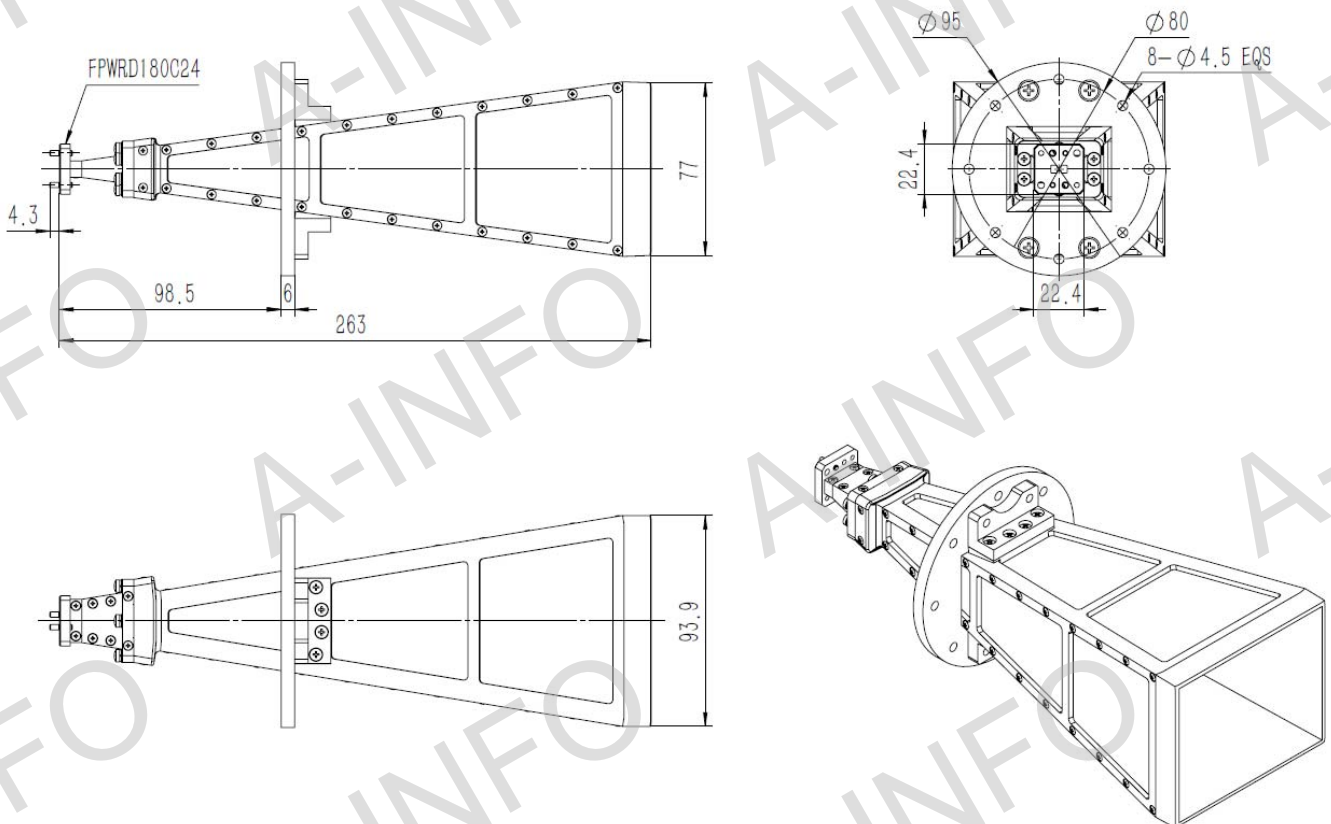
Technical Specification



Frequency Range(GHz)	18 - 40
Gain(dBi)	25 Typ.
Polarization	Linear
Cross Polarization Isolation(dB)	40 Typ.
VSWR	2.0:1 Max.
Output	A Type: FPWRD180C24
	C Type: 2.92mm-Female or 2.4mm-Female
Power Handling(W)	10 Max. CW
Material	Cu
Size(mm)	A Type: 263 x 95 x 95
	C Type: 289 x 95 x 95
Net Weight(Kg)	A Type: 0.54 Around
	C Type: 0.58 Around

Outline Drawing (Size: mm)

A Type(With FPWRD180C24 Output)



AINFO Inc.

Page 1 of 16

China(Beijing):
China(Chengdu):
USA :

Tel: (+86) 10-6266-7326,
Tel: (+86) 28-8519-2786,
Tel: (+1) 949-639-9688,

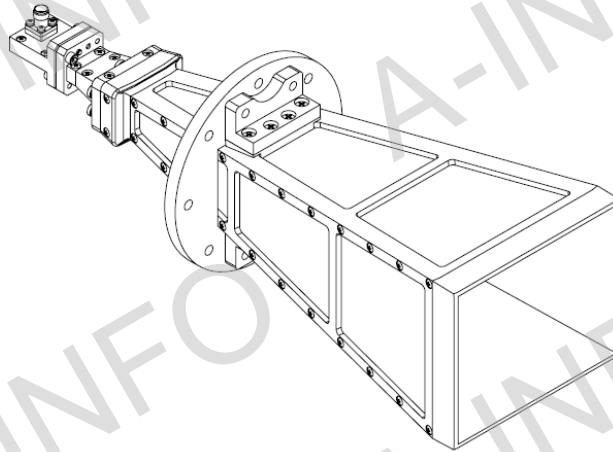
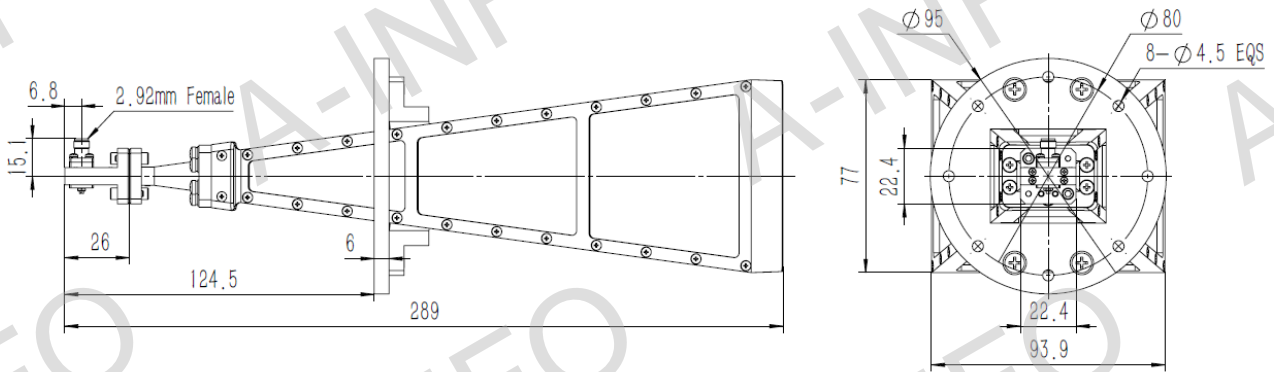
(+86) 10-6266-7327
(+86) 28-8519-3044
(+1) 949-639-9608

Fax: (+86) 10-6266-7379
Fax: (+86) 28-8519-3068
Fax: (+1) 949-639-9670

Website: www.ainfoinc.com
Email: sales@ainfoinc.com

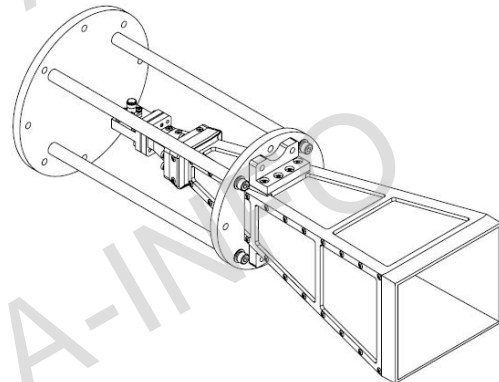
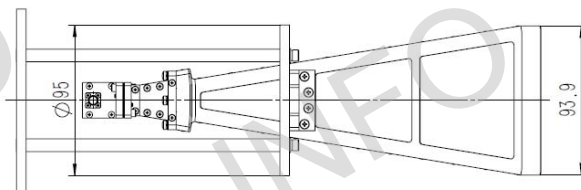
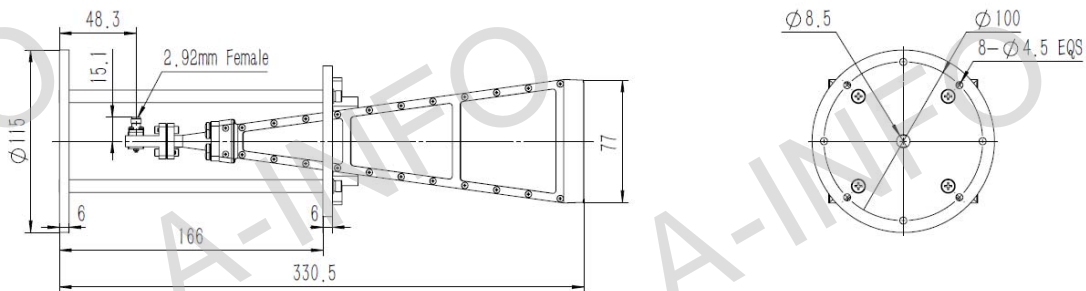
C Type (With 2.92mm-Female Output)

For 2.4mm-Female output outline drawing, please contact A-INFO.



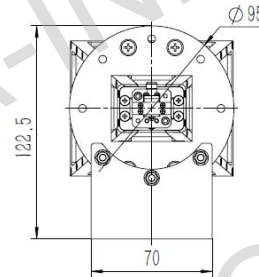
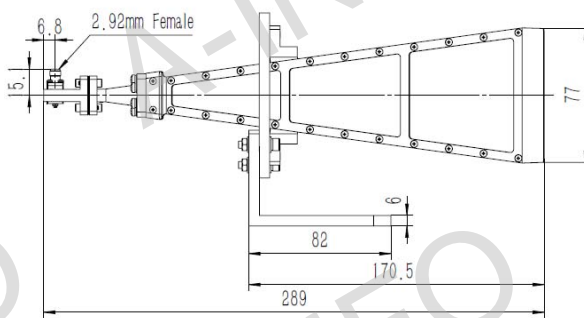
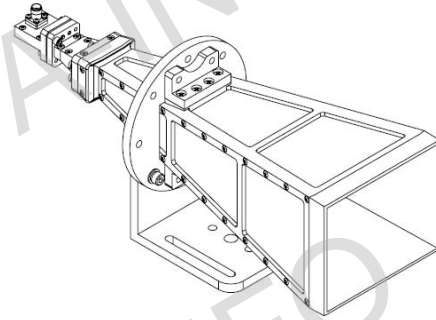
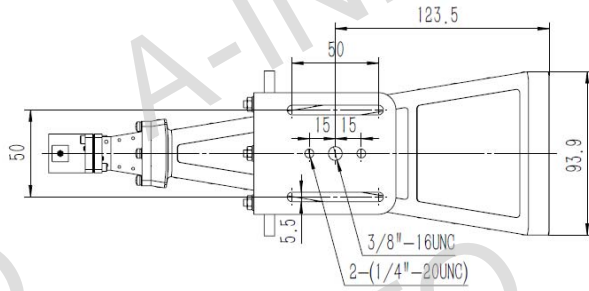
C Type (With 2.92mm-Female Output & Round Mounting Bracket)

For 2.4mm-Female output outline drawing, please contact A-INFO.

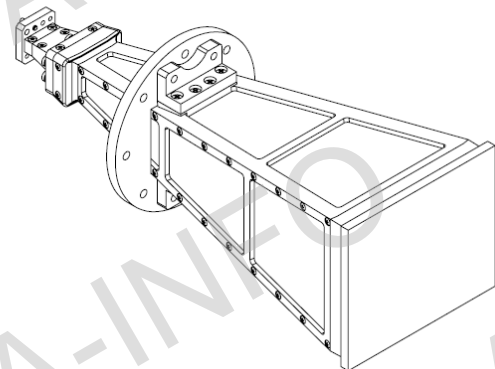
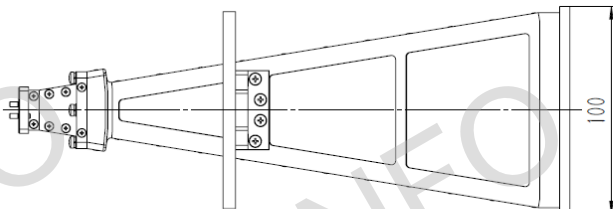
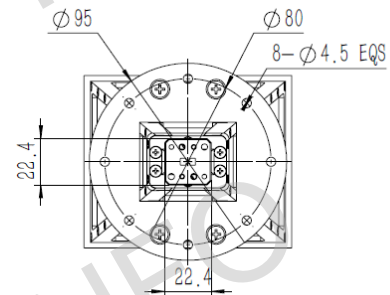
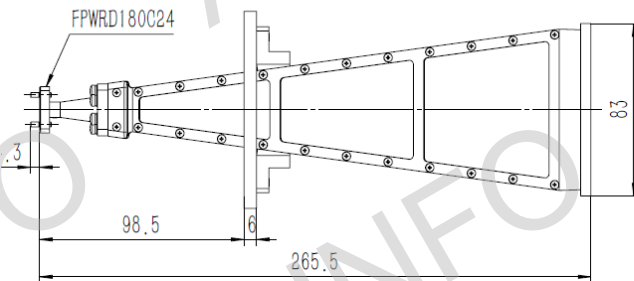


C Type (With 2.92mm-Female Output & L Type Mounting Bracket)

For 2.4mm-Female output outline drawing, please contact A-INFO.

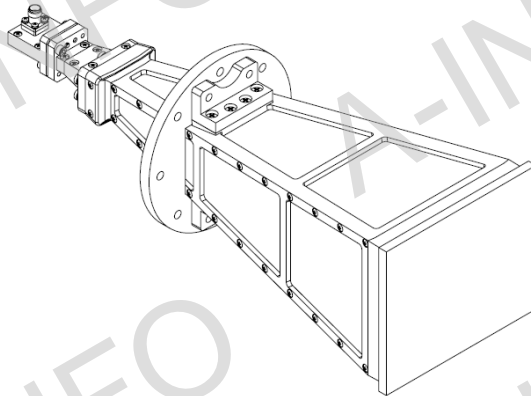
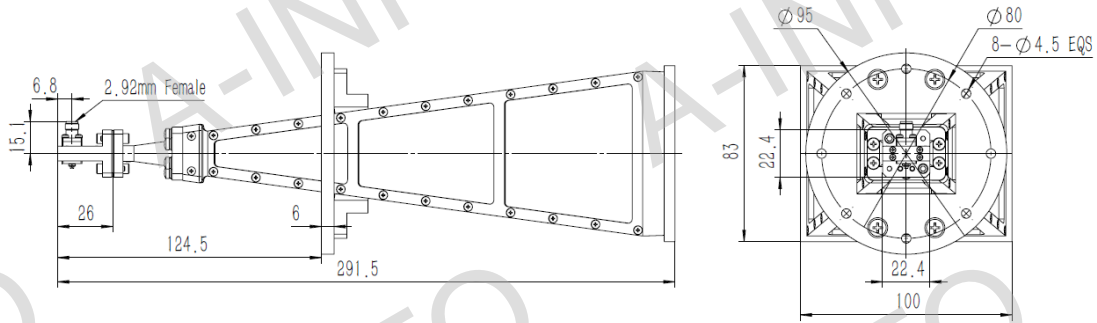


A Type (With Radome)



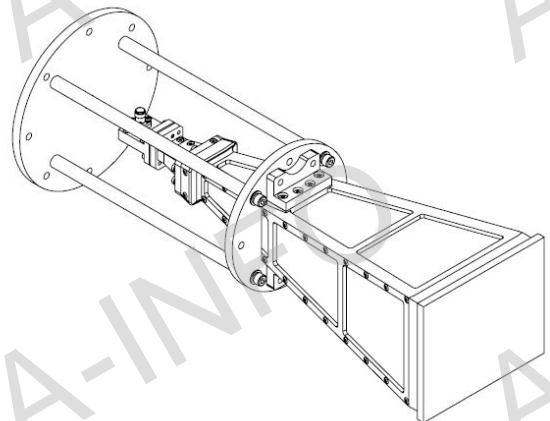
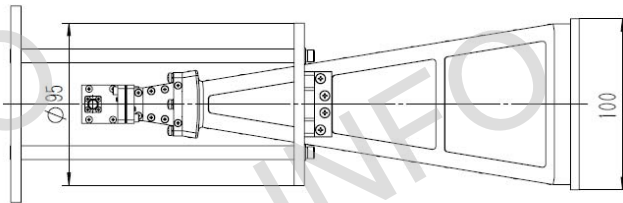
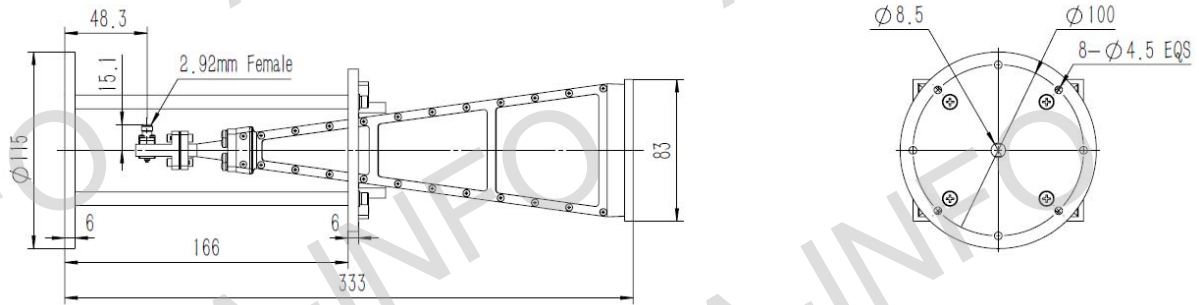
C Type (With 2.92mm-Female Output & Radome)

For 2.4mm-Female output outline drawing, please contact A-INFO.



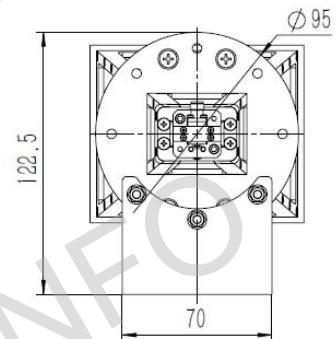
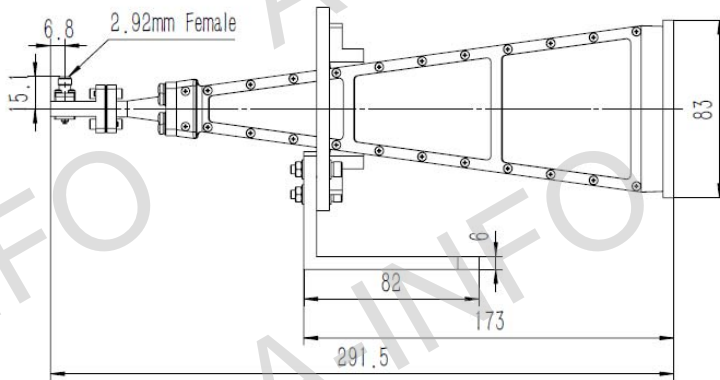
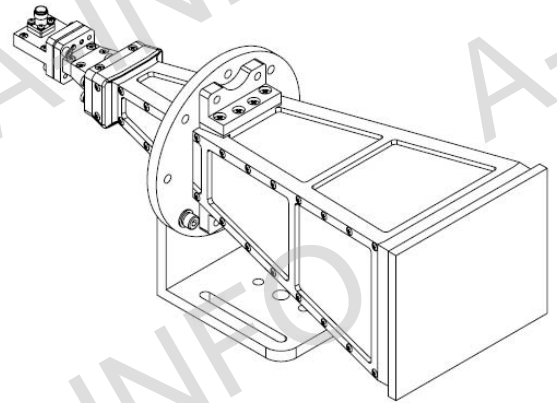
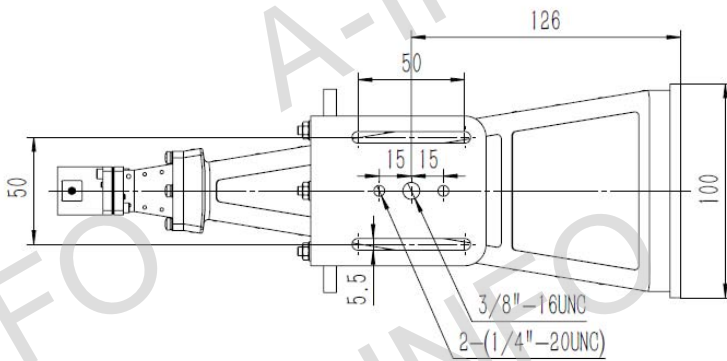
C Type (With 2.92mm-Female Output & Round Mounting Bracket & Radome)

For 2.4mm-Female output outline drawing, please contact A-INFO.



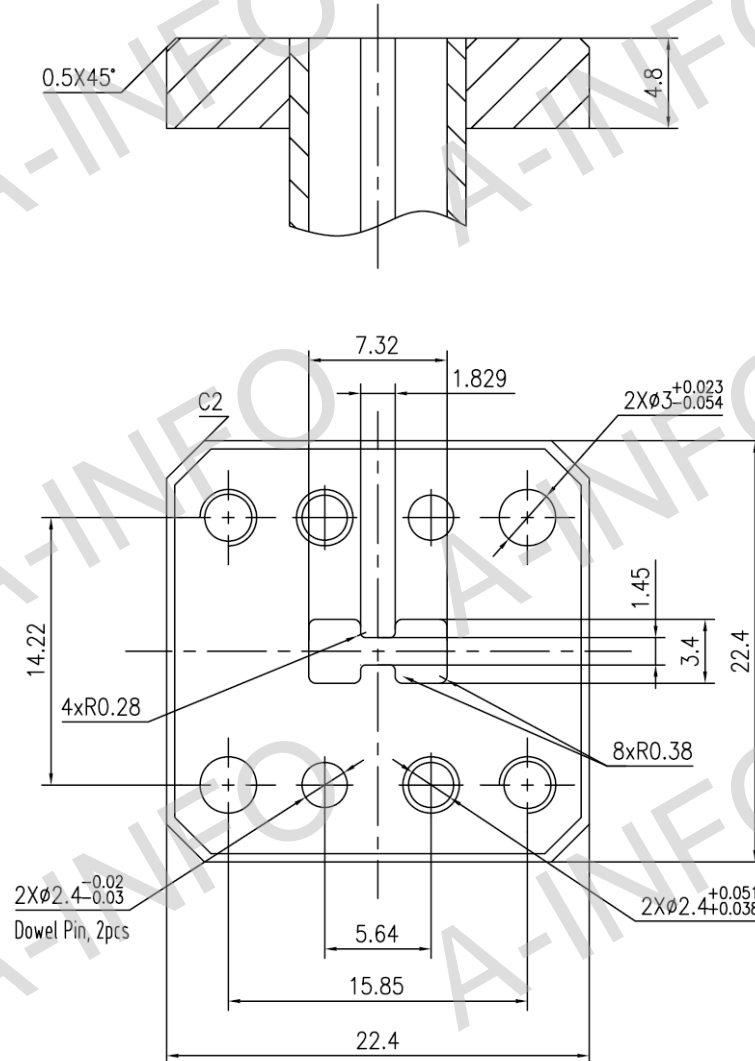
C Type (With 2.92mm-Female Output & L Type Mounting Bracket & Radome)

For 2.4mm-Female output outline drawing, please contact A-INFO.



Flange Drawing (Size: mm)

FPWRD180C24 (With two through mounting holes and two screws holes)



AINFO Inc.

Page 6 of 16

China(Beijing):
China(Chengdu):
USA :

Tel: (+86) 10-6266-7326,
Tel: (+86) 28-8519-2786,
Tel: (+1) 949-639-9688,

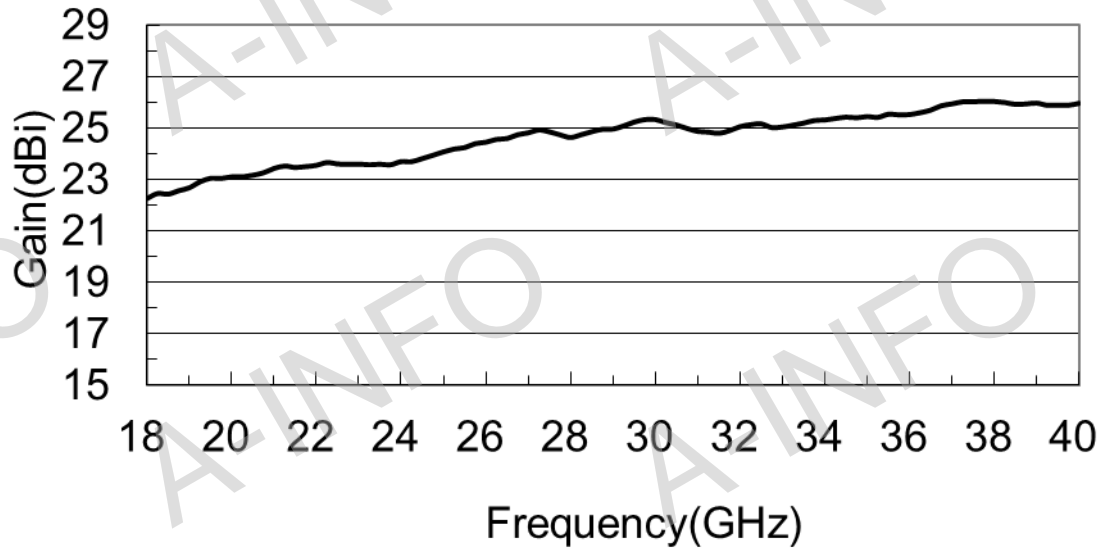
(+86) 10-6266-7327
(+86) 28-8519-3044
(+1) 949-639-9608

Fax: (+86) 10-6266-7379
Fax: (+86) 28-8519-3068
Fax: (+1) 949-639-9670

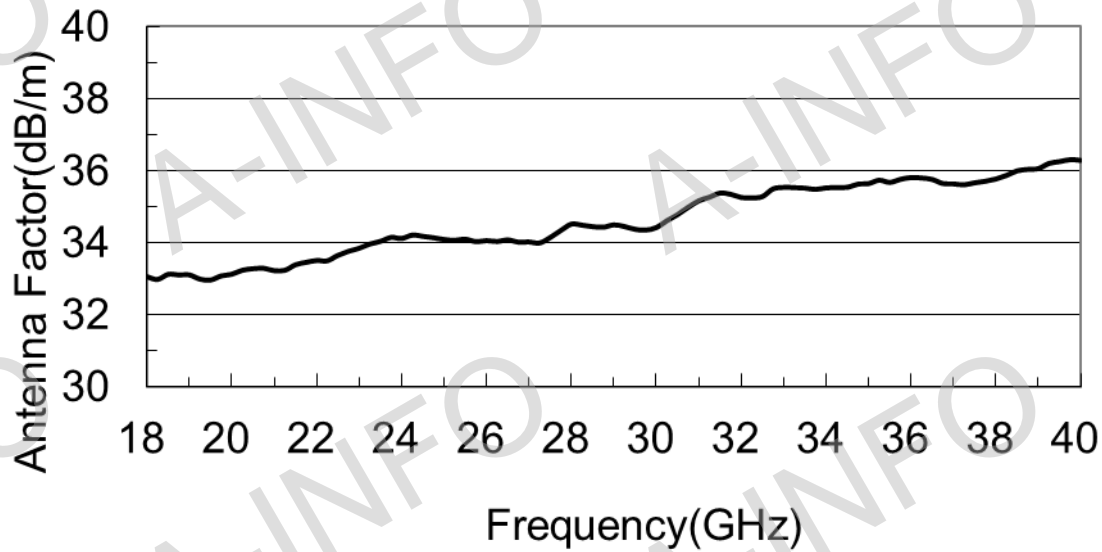
Website: www.ainfoinc.com
Email: sales@ainfoinc.com

Test Results

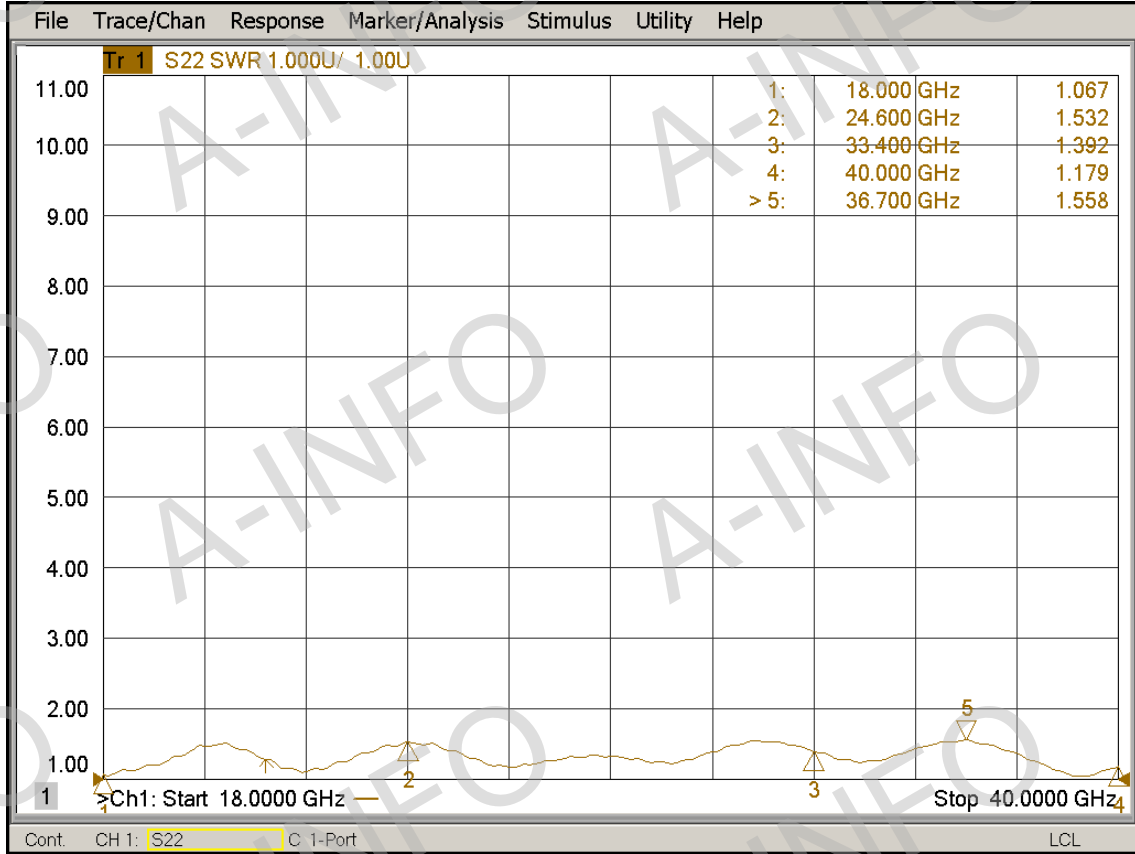
1. Gain



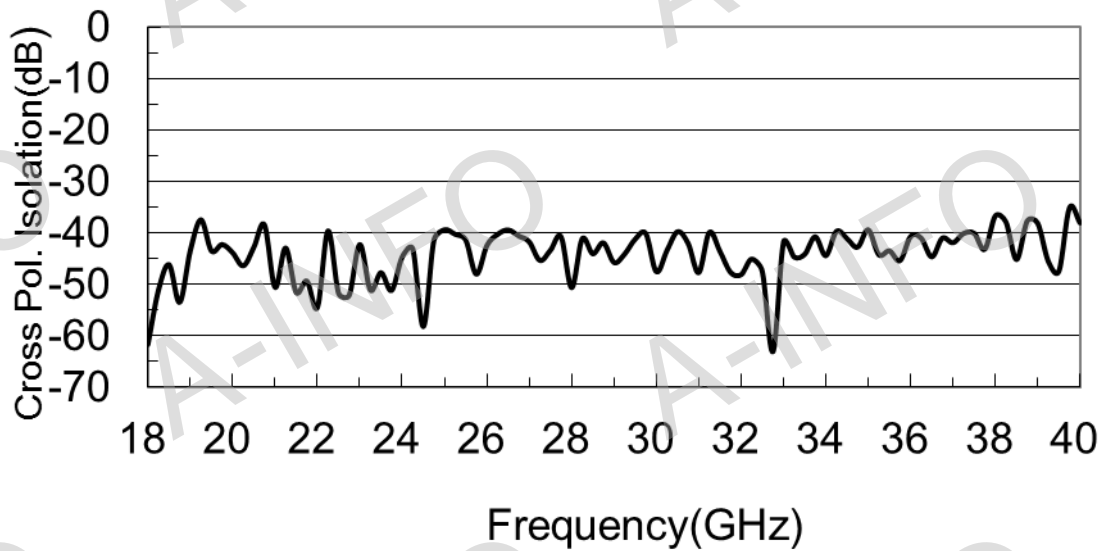
2. Antenna Factor



3. VSWR



4. Cross Polarization Isolation



5. Pattern

