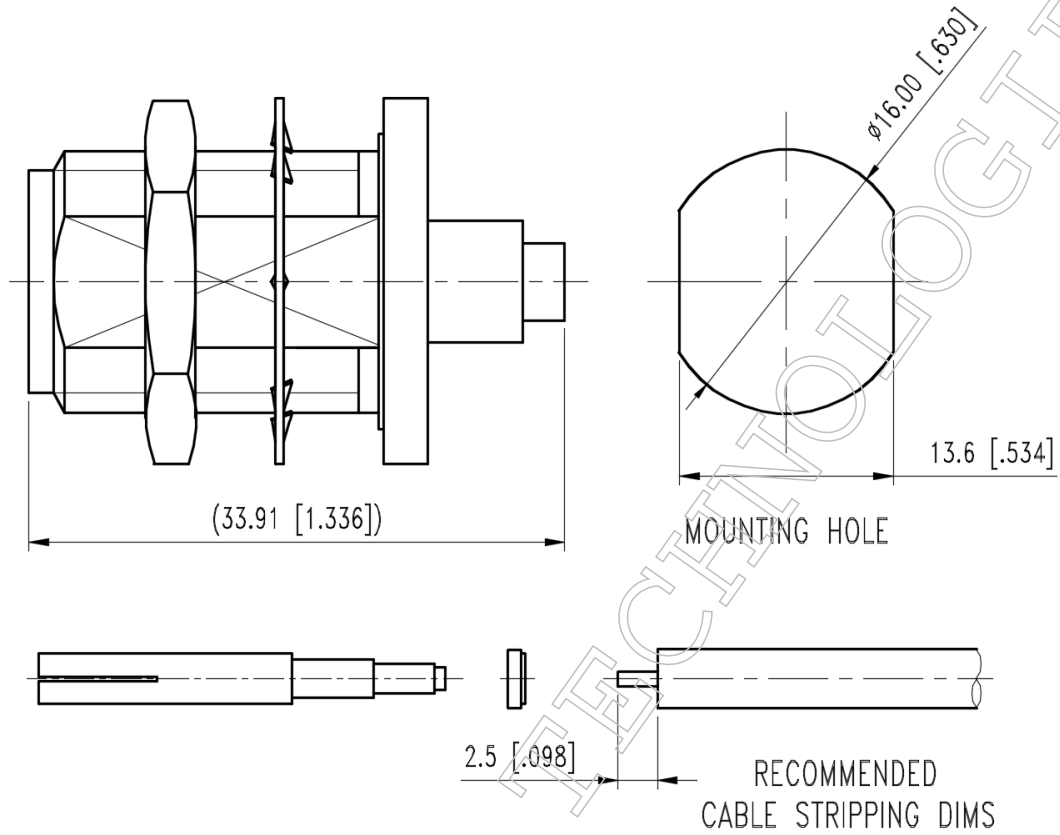


▪ **Outline Dimension Drawing**

Dimensions: mm[inch]



▪ **Material Specification**

Description	Material	Plating
Body	Brass	Silver
Contact	BeCu	Gold
Dielectric*2	PTFE	
Nut	Brass	Silver
Ground Ring	Brass	Silver
Gasket	S.I.R	Red
Washer	Brass	Silver

In the effort to improve our products, we reserve the right to make changes judged to be necessary



▪ **Electrical Specification**

Description			Description		
Impedance	50	Ω	Insulation Resistance	5000	MΩ Min.
Frequency	11	GHz	Inner Contact Resistance	3	mΩ Max.
VSWR	1.3	Max.	Outer Contact Resistance	2	mΩ Max.
Insertion Loss	0.2	dB Max.	Voltage Rating	550	Vrms Max.
Dielectric Withstanding Voltage	1000	Vrms Max.			

▪ **Mechanical Specification**

Description			Description		
Center Contact			Recommended Torque	12~15	in. lbs
Axial Force-Mating End	6	lbs.	Coupling Nut Retention	N/A	in. lbs
Axial Force-Opposite End	6	lbs.			
Connector Durability	500	cycles			
Weight	N/A	g			

▪ **Environmental Specification**

Description		
Temperature Min.	-65	°C
Temperature Max.	165	°C
Hermetic Seal	N/A	

In the effort to improve our products, we reserve the right to make changes judged to be necessary