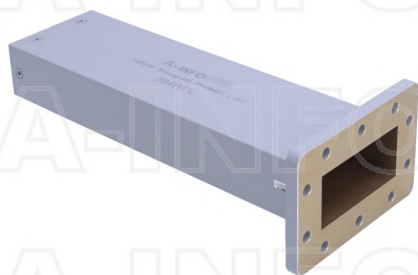


284WPL WR284 Waveguide Precision Load 2.6-3.95GHz with Rectangular Waveguide Interface



WR284 Waveguide Precision Load Operating From 2.6 to 3.95GHz with Rectangular Waveguide Interface

Product Information

SKU	284WPL
-----	--------

Description

Waveguide precision load 284WPL, operating from 2.6 to 3.95GHz and low VSWR 1.025:1. 284WPL covers the 284WPL sub waveguide band and comes with one flange FDP32(UDR32). It can handle 10 continuously and 10 peak power. A-INFO Precision Flange(APF) is available for this series. The WPL series low power waveguide fixed terminations are precision, low VSWR terminations suited to a wide variety of precision laboratory applications. The typical applications include full band one-Interface calibration and full two-Interface, isolation calibration. TRM (Thru-Reflect-Match) and SSLT (Short-Short-Load- Thru) calibration methods are supInterfaceed.

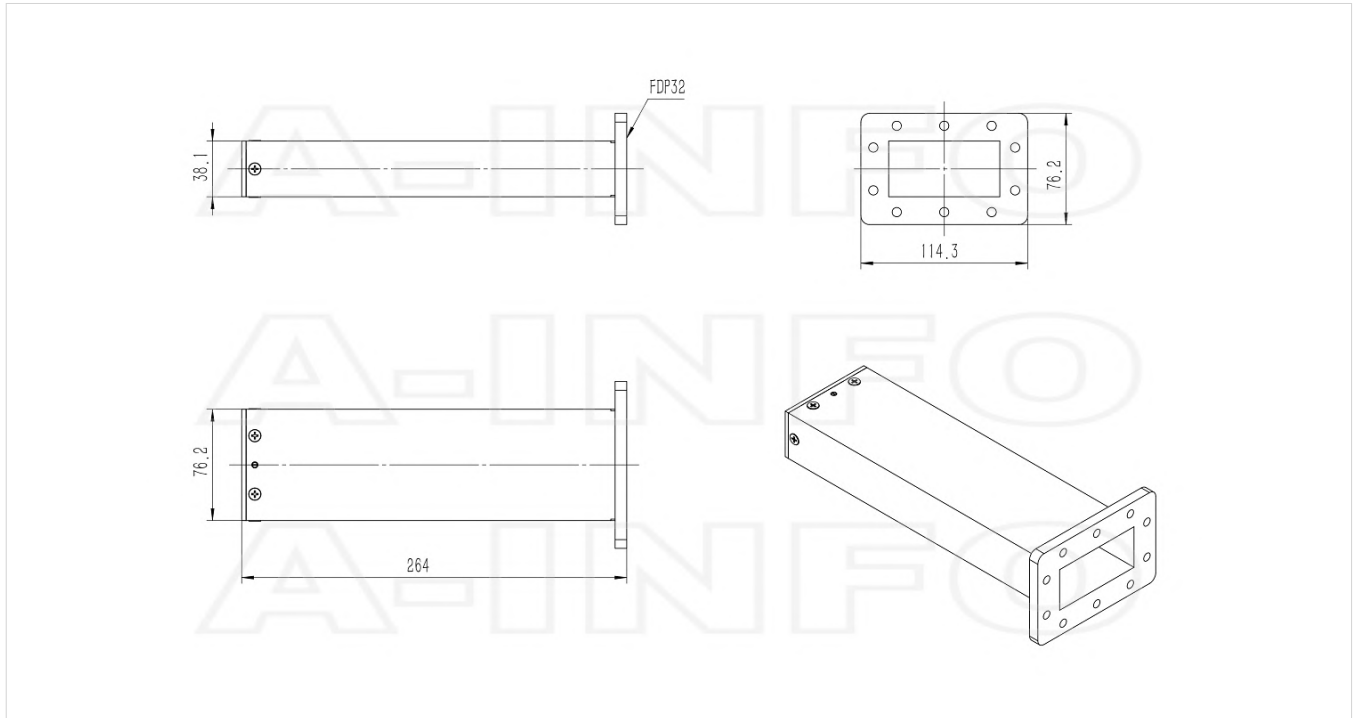
Technical Specification

Electrical Specification		Mechanical Specification	
WG Load Type	Precision	Body Material	Al
Waveguide Band	S	Finish	Chemical Conversion Coating, Gray Paint
Waveguide Type	Rectangular	Size, L (mm)	264
Waveguide Size EIA WR	WR284	Size, W (mm)	114.3
Frequency, Min (GHz)	2.6	Size, H (mm)	76.2
Frequency, Max (GHz)	3.95	Weight, (kg)	0.9
VSWR, Typ	1.02:1	Pressure Sealed	No
VSWR, Max	1.025:1	Environmental Specification	
Power Handling, CW, (W)	10	Operating Temp. Low (°C)	-55
Power Handling, Peak, (KW)	10	Operating Temp. High (°C)	85
Interface		Storage Temp. Low (°C)	-60
Flange Style	Rectangular	Storage Temp. High (°C)	90
Flange Type	Cover		
Flange Designation	FDP32(UDR32)		

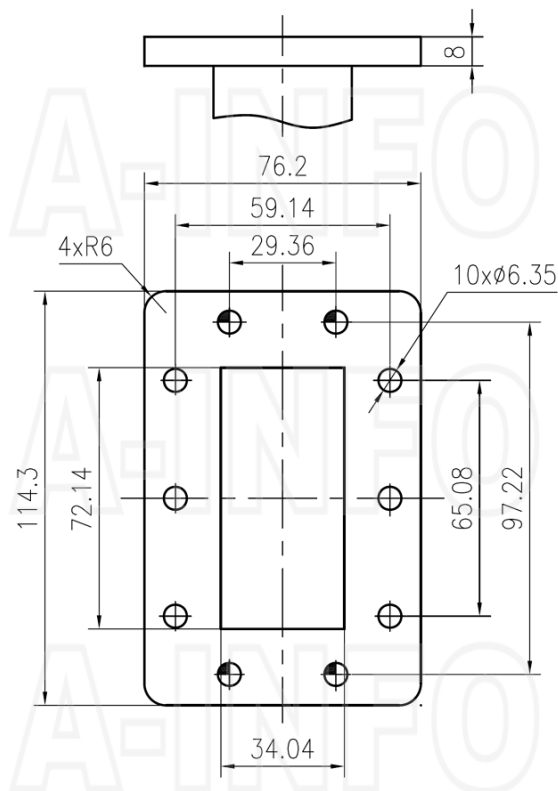
Additional Information

Application	General Purpose Indoor & Outdoor, Fixed
-------------	---

Outline Drawing



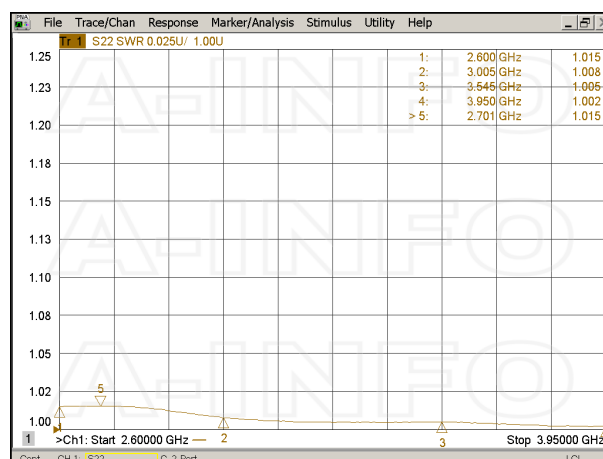
Flange Drawing



FDP32

Typical Test Results

VSWR



About this Datasheet

<ul style="list-style-type: none">● Product Information <p>Product Link: https://www.ainfoinc.com/284wpl-wr284-waveguide-precision-load-2-6-3-95-ghz-fdp32-udr32 Data subject to change without notice. © A-INFO INC. 2024. All Rights Reserved</p>	<ul style="list-style-type: none">● Contact Us <p>Address: 60 Tesla, Irvine, CA 92618, USA</p> <p>Website: www.ainfoinc.com</p> <p>Email: sales@ainfoinc.com</p>	<ul style="list-style-type: none">● Phone & Fax <p>Phone: +1-949-639-9688 +1-949-639-9608</p> <p>Fax: +1-949-639-9670</p>
--	---	--