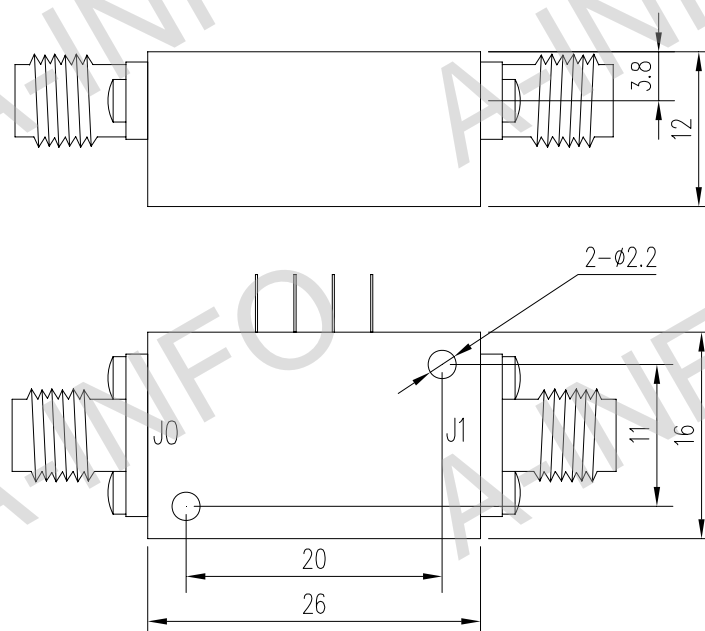


## Outline Drawing (Size: mm)



## Technical Specification

Item	Technical Specification
Frequency(GHz)	10.0-20.0
Insertion Loss(dB)	4.0 max
VSWR	2.1 max
Isolation(dB)	60 min
Switching Speed(ns)	50 max
Power Handling(W)	0.2
Power Supply(V)	±5
Connectors	2.92mm- Female
Operating Temperature(°C)	-40 ~ +85
Control	TTL

## Test Results Table

Item	Test Results
Frequency(GHz)	10.0-20.0
Insertion Loss(dB)	3.58 max
VSWR	1.93 max
Isolation(dB)	64 min
Switching Speed(ns)	50 max
Power Handling(W)	0.2
Power Supply(V)	±5
Connectors	2.92mm- Female
Operating Temperature(°C)	-40 ~ +85
Control	"1" ON, "0" OFF