

MC9n: n=7-8 (e.g., n=8 for 1P8T)

NORMALLY OPEN

The **MC9** series features SMA connectors and an operation frequency range of DC to 18 GHz. Higher frequency ranges are available. This product is of normally-open type with a compact design. The product options include TTL, suppression diodes, indicators, etc.



Specifications	
Contact Material	Plated Au
Switching Sequence	Break before Make
Switching Time (max)	15msec
Impedance	50Ω
Temperature Range	-25°C to +65°C -55°C to +85°C ("e" option)
Relative Humidity	5 to 85%
Operation Life (cycles)	1000000
Vibration Operating	10G RMS, 20-2000Hz
Mechanical Shock (non-operating)	50G, 1/2 Sine, 11msec
Weight (approx.)	185g

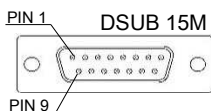
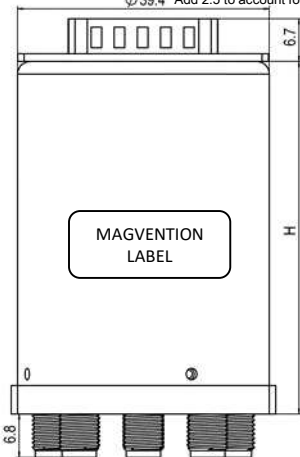
Frequency Range (GHz)	VSWR (max)	Insertion Loss (dB) (max)	Isolation (dB) (min)
DC-4	1.2	0.2	75
4-8	1.3	0.3	65
8-12.4	1.4	0.4	60
12.4-18	1.6	0.6	60

Voltage (VDC)		12	18	24	28
Current (mA)	Normally Open	290	190	150	100

Other options are available upon request.

Higher frequency ranges are available upon request.

Ø 39.4 Add 2.5 to account for the screw heads.



Optional Indicator Specifications

Max withstand voltage: 60V
Max current capacity: 100mA
Max "ON" resistance: 16Ω

Note: +VDC and -C must be connected to operate.

MC97-, 1P7T SWITCH
MC98-, 1P8T SWITCH

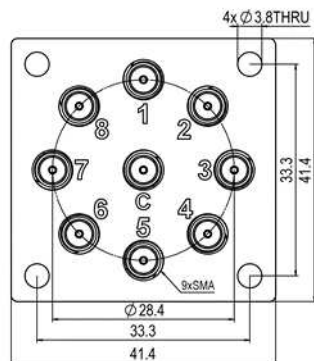
NORMALLY OPEN 15-PIN D-SUB PINOUT

Pin No.	PINOUT
n=1-8	Vn (Jn-COM)
9	COM(-)
10-15	UNUSED

NORMALLY OPEN TTL 15-PIN D-SUB PINOUT

Pin No.	PINOUT
n=1-8	An (Jn-COM)
9	COM(-)
10-14	UNUSED
15	+VDC

Pin 1-10: The corresponding control signal inputs.

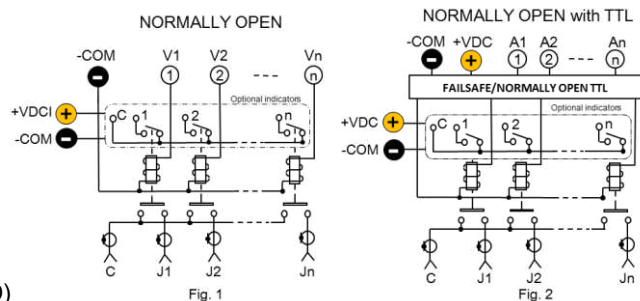


1PnT PORT CONFIGURATIONS

1PnT	Ports Used							
1P8T	1	2	3	4	5	6	7	8
1P7T	1	2	3	4	5	6	7	

Note: "Blank" represents the unused RF and corresponding control ports.

H = 62 (max) (STANDARD)
= 72 (max) (with TTL)



Mechanical drawings (unit: mm, tolerance +/-0.5mm).